

Type 3 surge protection plug - PLT-SEC-T3-230-P-UT/PT



2907923

<https://www.phoenixcontact.com/us/products/2907923>

Please be informed that the data shown in this PDF document is generated from our Online Catalog. Please find the complete data in the user documentation. Our General Terms of Use for Downloads are valid.



Replacement plug for type 2/3 surge protection from the PLT-SEC-...-UT/PT product series.
Nominal voltage 230 V.

Commercial Data

Item number	2907923
Packing unit	1 pc
Minimum order quantity	1 pc
Sales Key	C06
Product Key	CL14A4
Catalog Page	Page 83 (C-4-2019)
GTIN	4055626257600
Weight per Piece (including packing)	38.777 g
Weight per Piece (excluding packing)	33.16 g
Customs tariff number	85363030
Country of origin	DE

Type 3 surge protection plug - PLT-SEC-T3-230-P-UT/PT

2907923

<https://www.phoenixcontact.com/us/products/2907923>

Technical Data

Product properties

IEC power supply system	TN-S
	TT
Type	Male
Product type	Replacement plug
Number of positions	2
Surge protection fault message	optical

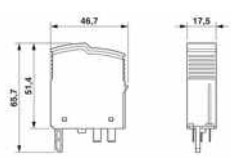
Insulation characteristics

Overvoltage category	III
Pollution degree	2
IEC test classification	II / III
	T2 / T3
EN type	T2 / T3
Number of ports	One

Connection data

Connection method	pluggable
-------------------	-----------

Dimensions

Dimensional drawing	
Width	17.5 mm
Height	46.7 mm
Depth	65.7 mm
Horizontal pitch	1 Div.

Material specifications

Color	light grey RAL 7035
Flammability rating according to UL 94	V-0
CTI value of material	600
Insulating material	PA 6.6-FR 20 % GF
	PA 6.6-FR
Housing material	PA 6.6-FR 20 % GF
	PA 6.6-FR

Protective circuit

Mode of protection	L-N
	L-PE

Type 3 surge protection plug - PLT-SEC-T3-230-P-UT/PT



2907923

<https://www.phoenixcontact.com/us/products/2907923>

	N-PE
Direction of action	1L-N & N-PE
Nominal voltage U_N	240 V AC (TN-S)
	240 V AC (TT)
Nominal frequency f_N	50 Hz (60 Hz)
Maximum continuous voltage U_C	264 V AC
Residual current I_{PE}	$\leq 5 \mu\text{A}$
Standby power consumption P_C	$\leq 26.4 \text{ mVA}$ (at U_{REF})
	$\leq 26.4 \text{ mVA}$ (at U_C)
Reference test voltage U_{REF}	264 V AC
Nominal discharge current I_n (8/20) μs	5 kA
Maximum discharge current I_{max} (8/20) μs	10 kA
Combination wave U_{OC}	6 kV
Voltage protection level U_p (L-N)	$\leq 1.25 \text{ kV}$ (at U_{OC})
	$\leq 1.4 \text{ kV}$ (at I_n)
Voltage protection level U_p (L-PE)	$\leq 1.4 \text{ kV}$
Voltage protection level U_p (N-PE)	$\leq 1.4 \text{ kV}$
TOV behavior at U_T (L-N)	400 V AC (5 s / withstand mode)
	457 V AC (120 min / safe failure mode)
TOV behavior at U_T (L-PE)	457 V AC (5 s / withstand mode)
	457 V AC (120 min / withstand mode)
	1464 V AC (200 ms / safe failure mode)
TOV behavior at U_T (N-PE)	1200 V AC (200 ms / safe failure mode)
Response time t_A (L-N)	$\leq 25 \text{ ns}$
Response time t_A (L-PE)	$\leq 100 \text{ ns}$
Response time t_A (N-PE)	$\leq 100 \text{ ns}$
Short-circuit current rating I_{SCCR}	10 kA AC
Max. backup fuse with branch wiring	32 A (gG / B / C)

Additional technical data

Short-circuit current rating I_{SCCR}	0.25 kA DC (Without additional backup fuse in the DC branch wiring)
	5 kA DC (for 20 A gG / B backup fuse)
Residual voltage U_{res} (L-N)	$\leq 1.15 \text{ kV}$ (at 2 kA)
	$\leq 1.25 \text{ kV}$ (at 3 kA)
	$\leq 1.1 \text{ kV}$ (at $U_{OC} = 4 \text{ kV}$)
Residual voltage U_{res} (L-PE)	$\leq 1.1 \text{ kV}$ (at 2 kA)
	$\leq 1.1 \text{ kV}$ (at 3 kA)
	$\leq 1.2 \text{ kV}$ (at $U_{OC} = 4 \text{ kV}$)
Residual voltage U_{res} (N-PE)	$\leq 1.1 \text{ kV}$ (at 2 kA)
	$\leq 1.1 \text{ kV}$ (at 3 kA)
	$\leq 1.2 \text{ kV}$ (at $U_{OC} = 4 \text{ kV}$)
Maximum continuous voltage U_C	275 V AC
	240 V DC

Type 3 surge protection plug - PLT-SEC-T3-230-P-UT/PT



2907923

<https://www.phoenixcontact.com/us/products/2907923>

Mode of protection	(DC+) - (DC-)
	(DC+/DC-) - PE
IEC test classification (in accordance with IEC 61643-21)	D1
Impulse durability (wire-wire)	D1 - 500 A
Impulse durability (line-earth)	D1 - 500 A
Pulse discharge current I_{imp} (10/350) μ s (line-line)	0.5 kA
Pulse discharge current I_{imp} (10/350) μ s (line-earth)	0.5 kA

Environmental and real-life conditions

Ambient conditions

Degree of protection	IP20
Ambient temperature (operation)	-40 °C ... 80 °C
Ambient temperature (storage/transport)	-40 °C ... 80 °C
Altitude	≤ 6000 m (amsl (above mean sea level))
Permissible humidity (operation)	5 % ... 95 %
Shock (operation)	30g (Half-sine / 11 ms / 3x ±X, ±Y, ±Z)
Vibration (operation)	5g (5 ... 500 Hz / 2.5 h / X, Y, Z)

Approval data

UL specifications

Maximum continuous operating voltage MCOV	264 V AC
	240 V DC
Nominal discharge current I_n	5 kA
Mode of protection	L-N
	L-G
	N-G
	(DC+) - (DC-)
	(DC+) - G
	(DC-) - G
Nominal voltage	240 V DC
Power distribution system	Single phase
	DC
Nominal frequency	50/60 Hz
Measured limiting voltage MLV (L-N)	1150 V
Measured limiting voltage MLV (L-G)	1180 V
Measured limiting voltage MLV (N-G)	1180 V
SPD Type	4CA

Standards and regulations

Standards/specifications	IEC 61643-11
EN 61643-11	
Standards/specifications	EN 61643-11

Type 3 surge protection plug - PLT-SEC-T3-230-P-UT/PT



2907923

<https://www.phoenixcontact.com/us/products/2907923>

Mounting

Mounting type

on base element

Type 3 surge protection plug - PLT-SEC-T3-230-P-UT/PT

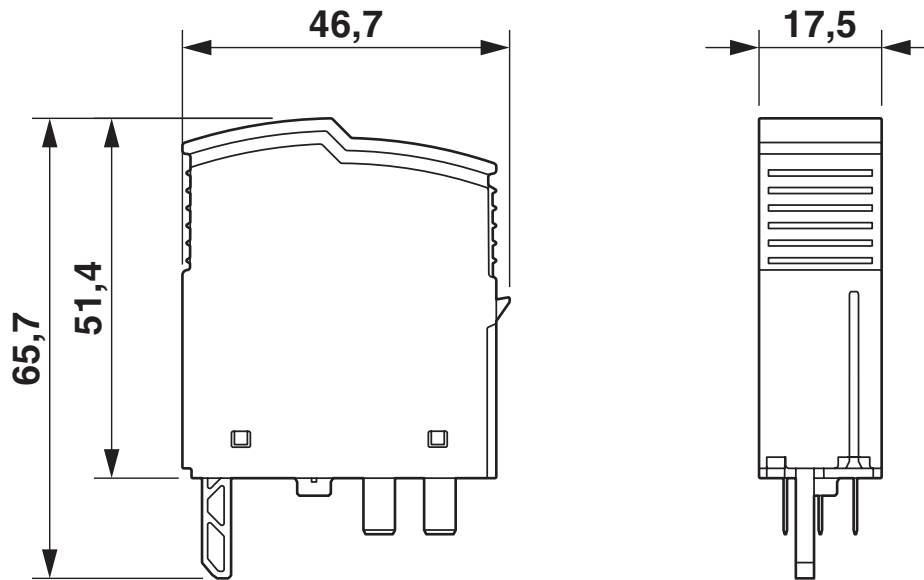


2907923

<https://www.phoenixcontact.com/us/products/2907923>

Drawings

Dimensional drawing



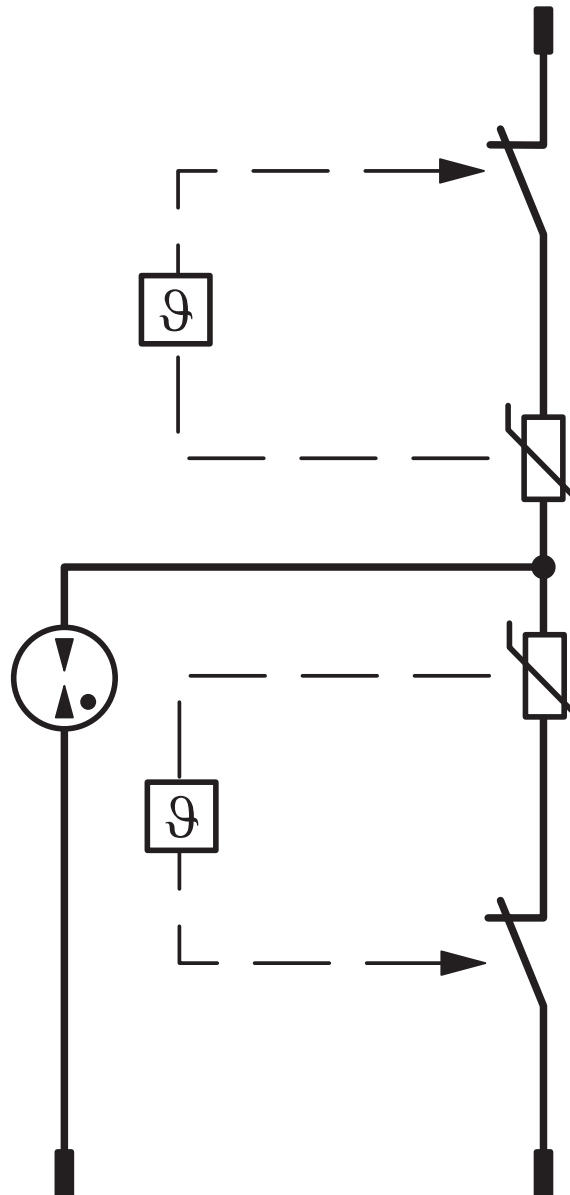
Type 3 surge protection plug - PLT-SEC-T3-230-P-UT/PT



2907923

<https://www.phoenixcontact.com/us/products/2907923>

Circuit diagram




Type 3 surge protection plug - PLT-SEC-T3-230-P-UT/PT





2907923


<https://www.phoenixcontact.com/us/products/2907923>

Approvals

 **cUL Recognized**
Approval ID: FILE E 330181

 **UL Recognized**
Approval ID: FILE E 330181


 **IECEE CB Scheme**
Approval ID: NL-51083

 **EAC**
Approval ID: RU C-DE.*09.B.00169


CCA
Approval ID: NTR-NL 7676

	Nominal Voltage U_N	Nominal Current I_N	Cross Section AWG	Cross Section mm^2
			-	-

 **KEMA-KEUR**
Approval ID: 71-103027


 **DNV GL**
Approval ID: TAE00002U7

	Nominal Voltage U_N	Nominal Current I_N	Cross Section AWG	Cross Section mm^2
			-	-

 **CSA**
Approval ID: 70194378

 **cUL Recognized**
Approval ID: FILE E 340736

	Nominal Voltage U_N	Nominal Current I_N	Cross Section AWG	Cross Section mm^2
			-	-

 **UL Recognized**
Approval ID: FILE E 340736

	Nominal Voltage U_N	Nominal Current I_N	Cross Section AWG	Cross Section mm^2
			-	-

Type 3 surge protection plug - PLT-SEC-T3-230-P-UT/PT



2907923

<https://www.phoenixcontact.com/us/products/2907923>

	-	-
--	---	---

cULus Recognized

cULus Recognized

Type 3 surge protection plug - PLT-SEC-T3-230-P-UT/PT



2907923

<https://www.phoenixcontact.com/us/products/2907923>

Classifications

ECLASS

ECLASS-9.0	27130890
ECLASS-10.0.1	27130890
ECLASS-11.0	27130890

ETIM

ETIM 8.0	EC002496
----------	----------

UNSPSC

UNSPSC 21.0	39121600
-------------	----------

Type 3 surge protection plug - PLT-SEC-T3-230-P-UT/PT



2907923

<https://www.phoenixcontact.com/us/products/2907923>

Environmental Product Compliance

China RoHS	Environmentally friendly use period: unlimited = EFUP-e
	No hazardous substances above threshold values

Type 3 surge protection plug - PLT-SEC-T3-230-P-UT/PT

2907923

<https://www.phoenixcontact.com/us/products/2907923>

Accessories

Type 3 surge protection device

Type 3 surge protection device - PLT-SEC-T3-230-FM-PT - 2907928

<https://www.phoenixcontact.com/us/products/2907928>



Type 2/3 surge protection, consisting of protective plug and base element with Push-in connection. For single-phase power supply network with integrated status indicator and remote signaling. Nominal voltage: 230 V AC/DC

Type 3 surge protection device

Type 3 surge protection device - PLT-SEC-T3-230-FM-UT - 2907919

<https://www.phoenixcontact.com/us/products/2907919>



Type 2/3 surge protection, consisting of protective plug and base element with screw connection. For single-phase power supply network with integrated status indicator and remote signaling. Nominal voltage: 230 V AC/DC

Type 3 surge protection plug - PLT-SEC-T3-230-P-UT/PT



2907923

<https://www.phoenixcontact.com/us/products/2907923>

Type 3 surge protection base element

Type 3 surge protection base element - PLT-SEC-T3-BE-FM-PT - 2907929

<https://www.phoenixcontact.com/us/products/2907929>

Base element for protective plugs from the PLT-SEC-...-UT/PT product series with remote indication contact.



Type 3 surge protection base element

Type 3 surge protection base element - PLT-SEC-T3-BE-FM-UT - 2907924

<https://www.phoenixcontact.com/us/products/2907924>

Base element for protective plugs from the PLT-SEC-...-UT/PT product series with remote indication contact.



Phoenix Contact 2022 © - all rights reserved
<https://www.phoenixcontact.com>

Phoenix Contact USA
586 Fulling Mill Road
Middletown, PA 17057, United States
(+717) 944-1300
info@phoenixcon.com