

# Surge protection device - TTC-6-MOV-C-24DC-UT-I



2906837

<https://www.phoenixcontact.com/us/products/2906837>

Please be informed that the data shown in this PDF document is generated from our Online Catalog. Please find the complete data in the user documentation. Our General Terms of Use for Downloads are valid.



Medium surge protection with integrated status indicator for a signal wire with grounded reference potential.

## Your advantages

- Space-saving and cost-saving with a narrow overall width of just 6 mm
- Continuous monitoring of protective devices, plus mechanical status indicator with optional remote signaling
- Finding the right product for all possible requirements in MCR applications is easy, thanks to the complete range of products with customized features

## Commercial Data

Item number	2906837
Packing unit	1 pc
Minimum order quantity	1 pc
Sales Key	C07
Product Key	CL2264
Catalog Page	Page 150 (C-4-2019)
GTIN	4055626136936
Weight per Piece (including packing)	30.4 g
Weight per Piece (excluding packing)	25.86 g
Customs tariff number	85363010
Country of origin	DE

# Surge protection device - TTC-6-MOV-C-24DC-UT-I



2906837

<https://www.phoenixcontact.com/us/products/2906837>

## Technical Data

### Product properties

IEC test classification	C1
	C2
	C3
Type	DIN rail module, one-piece
Product type	Surge protection for MCR technology
Surge protection fault message	optical

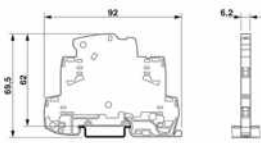
### Insulation characteristics

Overvoltage category	III
Pollution degree	2

### Connection data

Connection method	Screw connection
Screw thread	M3
Tightening torque	0.5 Nm ... 0.6 Nm
Conductor cross section flexible	0.2 mm <sup>2</sup> ... 2.5 mm <sup>2</sup>
Conductor cross section solid	0.2 mm <sup>2</sup> ... 4 mm <sup>2</sup>
Conductor cross section AWG	24 ... 12

### Dimensions

Dimensional drawing	
Width	6.2 mm
Height	92 mm
Depth	69.5 mm (incl. DIN rail 7.5 mm)

### Material specifications

Color	traffic grey A RAL 7042
Flammability rating according to UL 94	V-0
Insulating material	PBT
Housing material	PBT

### Mechanical properties

#### Mechanical data

Open side panel	Yes
-----------------	-----

### Protective circuit

Direction of action	Line-Earth Ground
---------------------	-------------------

# Surge protection device - TTC-6-MOV-C-24DC-UT-I



2906837

<https://www.phoenixcontact.com/us/products/2906837>

Maximum continuous voltage $U_C$	30 V DC
	21 V AC
Rated current	10 A (60 °C)
Operating effective current $I_C$ at $U_C$	$\leq 100 \mu\text{A}$
Residual current $I_{PE}$	$\leq 100 \mu\text{A}$
Nominal discharge surge current $I_n$ (8/20) $\mu\text{s}$ (Core-Earth)	2 kA
Voltage protection level $U_p$ (line-earth)	$\leq 110 \text{ V}$ (C1 - 700 V/350 A)
	$\leq 160 \text{ V}$ (C2 - 4 kV)
	$\leq 80 \text{ V}$ (C3 - 25 A)
Response time $t_A$ (line-earth)	$\leq 25 \text{ ns}$
Input attenuation aE, asym.	typ. 0.3 dB ( $\leq 60 \text{ kHz} / 150 \Omega$ )
Cut-off frequency $f_g$ (3 dB), asym. (PE) in 150 $\Omega$ system	typ. 200 kHz
Capacity (Core-Earth)	10 nF
Resistance per path	$\leq 100 \text{ m}\Omega$
Surge protection fault message	optical
Impulse durability (line-earth)	C1 - 350 A
	C2 - 2 kA
	C3 - 25 A

## Environmental and real-life conditions

### Ambient conditions

Degree of protection	IP20 (with end cover)
Ambient temperature (operation)	-40 °C ... 85 °C
Ambient temperature (storage/transport)	-40 °C ... 85 °C
Altitude	$\leq 4000 \text{ m}$ (amsl (above mean sea level))
Permissible humidity (operation)	5 % ... 95 %

## Standards and regulations

Standards/specifications	IEC 61643-21
--------------------------	--------------

### EN 61643-21

Standards/specifications	EN 61643-21
--------------------------	-------------

## Mounting

Mounting type	DIN rail: 35 mm
---------------	-----------------

# Surge protection device - TTC-6-MOV-C-24DC-UT-I

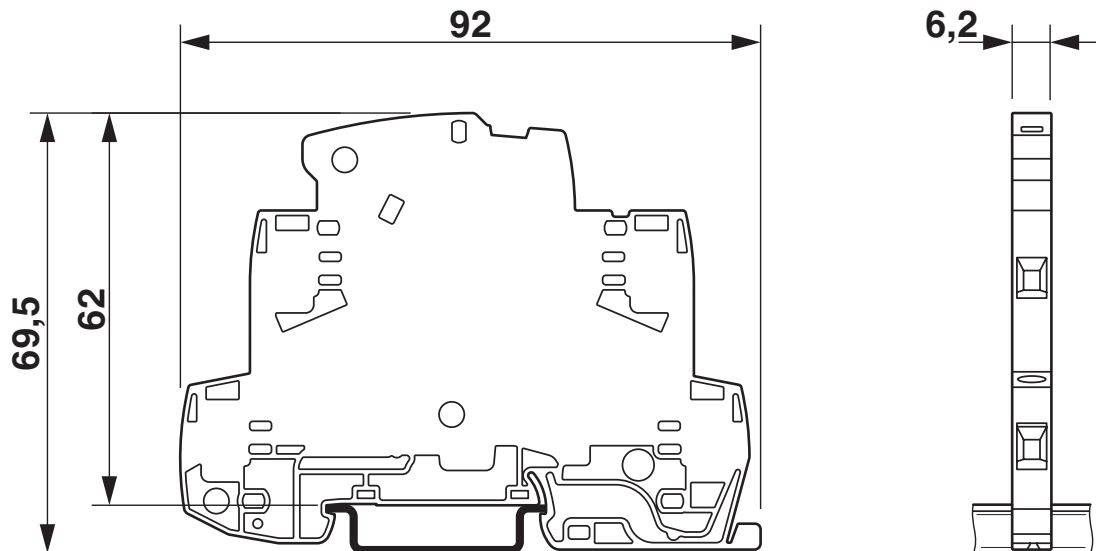


2906837

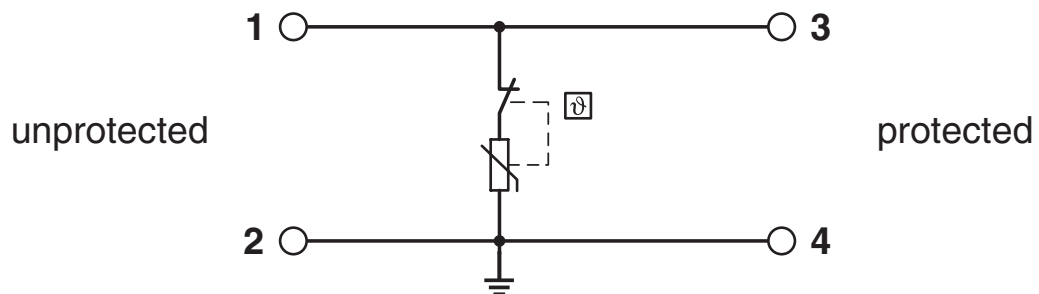
<https://www.phoenixcontact.com/us/products/2906837>

## Drawings

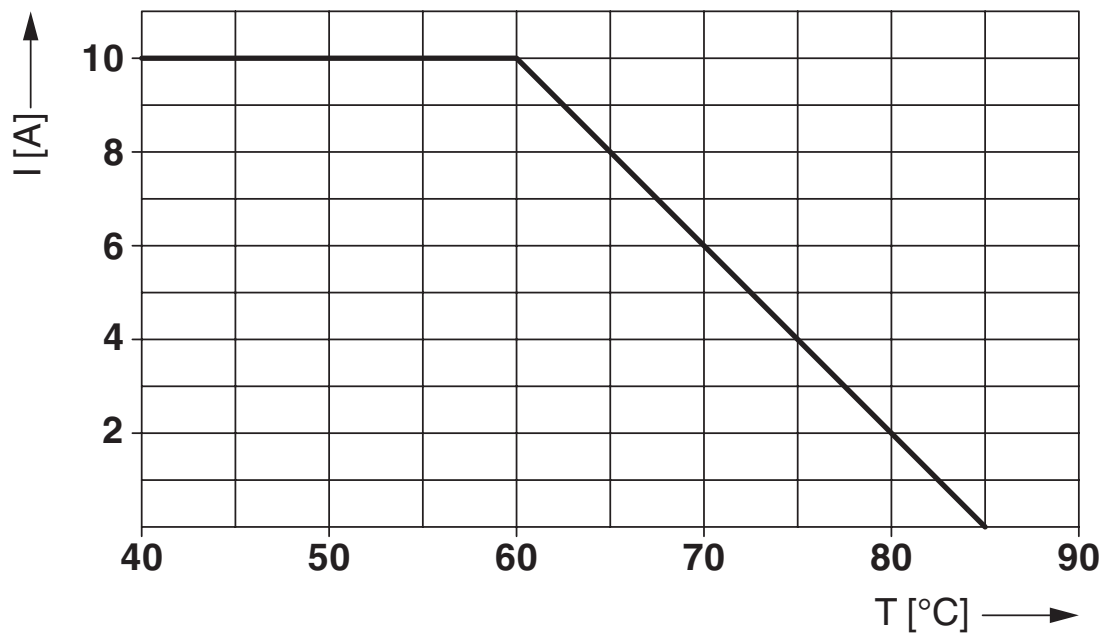
Dimensional drawing



Circuit diagram



Diagram



# Surge protection device - TTC-6-MOV-C-24DC-UT-I



2906837

<https://www.phoenixcontact.com/us/products/2906837>

## Approvals



**CSA**

Approval ID: 70136717



**DNV GL**

Approval ID: TAE000027G

Nominal Voltage  $U_N$

Nominal Current  $I_N$

Cross Section AWG

Cross Section  $\text{mm}^2$

-

-



**UL Listed**

Approval ID: FILE E 138168



**CSAus**

Approval ID: 70136717

**cCSAus**

# Surge protection device - TTC-6-MOV-C-24DC-UT-I



2906837

<https://www.phoenixcontact.com/us/products/2906837>

## Classifications

### ECLASS

ECLASS-9.0	27130807
ECLASS-10.0.1	27130807
ECLASS-11.0	27130807

### ETIM

ETIM 8.0	EC000943
----------	----------

### UNSPSC

UNSPSC 21.0	39121600
-------------	----------

# Surge protection device - TTC-6-MOV-C-24DC-UT-I



2906837

<https://www.phoenixcontact.com/us/products/2906837>

## Environmental Product Compliance

China RoHS	Environmentally friendly use period: unlimited = EFUP-e
	No hazardous substances above threshold values

2906837

<https://www.phoenixcontact.com/us/products/2906837>

## Accessories

### Marker pen

Marker pen - X-PEN 0,35 - 0811228

<https://www.phoenixcontact.com/us/products/0811228>



Marker pen without ink cartridge, for manual labeling of markers, labeling extremely wipe-proof, line thickness 0.35 mm

---

### Zack Marker strip, flat

Zack Marker strip, flat - ZBF 6 CUS - 0825027

<https://www.phoenixcontact.com/us/products/0825027>



Zack Marker strip, flat, Strip, can be ordered: Strip, white, labeled according to customer specifications, mounting type: snap into flat marker groove, for terminal block width: 6.2 mm, lettering field size: 5.15 x 6.15 mm, Number of individual labels: 10

2906837

<https://www.phoenixcontact.com/us/products/2906837>

## Zack Marker strip, flat

Zack Marker strip, flat - ZBF 6:UNBEDRUCKT - 0808710

<https://www.phoenixcontact.com/us/products/0808710>



Zack Marker strip, flat, Strip, white, unlabeled, can be labeled with: PLOTMARK, CMS-P1-PLOTTER, mounting type: snapped, for terminal block width: 6.2 mm, lettering field size: 5.15 x 6.15 mm, Number of individual labels: 10

---

## Zack Marker strip, flat

Zack Marker strip, flat - ZBF 6/WH-100:UNBEDRUCKT - 0808736

<https://www.phoenixcontact.com/us/products/0808736>



Zack Marker strip, flat, Strip, white, unlabeled, can be labeled with: PLOTMARK, CMS-P1-PLOTTER, mounting type: snapped, for terminal block width: 6.2 mm, lettering field size: 5.15 x 6.15 mm, Number of individual labels: 1000

# Surge protection device - TTC-6-MOV-C-24DC-UT-I

2906837

<https://www.phoenixcontact.com/us/products/2906837>

## Zack Marker strip, flat

Zack Marker strip, flat - ZBF 6,QR:FORTL.ZAHLEN - 0808765

<https://www.phoenixcontact.com/us/products/0808765>



Zack Marker strip, flat, Strip, white, labeled, Printed vertically: consecutive numbers 1 ... 10, 11 ... 20, etc. up to 91 ... 100, mounting type: snapped, for terminal block width: 6.2 mm, lettering field size: 5.15 x 6.15 mm, Number of individual labels: 10

---

## End clamp

End clamp - CLIPFIX 35-5 - 3022276

<https://www.phoenixcontact.com/us/products/3022276>



Quick mounting end clamp for NS 35/7,5 DIN rail or NS 35/15 DIN rail, with marking option, with parking option for FBS...5, FBS...6, KSS 5, KSS 6, width: 5.15 mm, color: gray

# Surge protection device - TTC-6-MOV-C-24DC-UT-I



2906837

<https://www.phoenixcontact.com/us/products/2906837>

## Remote signaling set

Remote signaling set - TTC-6-FMRS-UT - 2907810

<https://www.phoenixcontact.com/us/products/2907810>



Module set for the optical monitoring and floating remote signaling of adjacent surge protective devices in the TERMITRAB complete or CLIXTRAB product family. Suitable for directly grounded DIN rails.

---

## Cover

Cover - TTC-6-LCP - 2908729

<https://www.phoenixcontact.com/us/products/2908729>



End cover for terminating a row of TERMITRAB complete TTC-6... terminal blocks

# Surge protection device - TTC-6-MOV-C-24DC-UT-I



2906837

<https://www.phoenixcontact.com/us/products/2906837>

## Shield connection

Shield connection - SSA 3-6 - 2839295

<https://www.phoenixcontact.com/us/products/2839295>

Shield fast connection for 3 ... 6 mm cable diameter. Potential connecting cable:  
200 mm, 1 mm<sup>2</sup>, color: black



---

## Shield connection

Shield connection - SSA 5-10 - 2839512

<https://www.phoenixcontact.com/us/products/2839512>

Shield fast connection for 5 ... 10 mm cable diameter. Potential connecting cable:  
200 mm, 1 mm<sup>2</sup>, color: black



---

Phoenix Contact 2022 © - all rights reserved  
<https://www.phoenixcontact.com>

Phoenix Contact USA  
586 Fulling Mill Road  
Middletown, PA 17057, United States  
(+717) 944-1300  
[info@phoenixcon.com](mailto:info@phoenixcon.com)