

# Type 2 surge arrester - VAL-SEC-T2-1S-350-FM



2905333

<https://www.phoenixcontact.com/us/products/2905333>

Please be informed that the data shown in this PDF document is generated from our Online Catalog. Please find the complete data in the user documentation. Our General Terms of Use for Downloads are valid.



Plug-in surge arrester, in accordance with Type 2/Class II, for 1-phase power supply networks with separate N and PE (3-conductor system: L1, N, PE), with remote indication contact.

## Your advantages

- Surge protection family for universal use with optimum energy coordination from the lightning current arrester to the device protection
- Easy to maintain due to consistently pluggable protection modules
- Excellent level of information provided by mechanical/visual status indicator and remote indication contact
- More space in the control cabinet due to the narrow overall width of just 12 mm per position and use without separate backup fuse up to 315 A gG
- Low voltage protection level at high continuous voltage for optimum protection of the subsequent installation
- Extremely narrow design, just 12 mm per position
- Varistor arrester with a low leakage current
- High-performance gas-filled surge arrester for N/PE protection

## Commercial Data

Item number	2905333
Packing unit	1 pc
Minimum order quantity	1 pc
Sales Key	C06
Product Key	CL1351
Catalog Page	Page 55 (C-4-2019)
GTIN	4046356947732
Weight per Piece (including packing)	218.1 g
Weight per Piece (excluding packing)	216.2 g
Customs tariff number	85363030
Country of origin	DE

# Type 2 surge arrester - VAL-SEC-T2-1S-350-FM



2905333

<https://www.phoenixcontact.com/us/products/2905333>

## Technical Data

### Product properties

IEC test classification	II
	T2
EN type	T2
IEC power supply system	TN-S
	TT
Type	DIN rail module, two-section, divisible
Product type	Surge arrester
Number of positions	2
Surge protection fault message	Optical, remote indicator contact

### Insulation characteristics

Overvoltage category	III
Pollution degree	2

### Electrical properties

Nominal frequency $f_N$	50 Hz (60 Hz)
-------------------------	---------------

### Indicator/remote signaling

Connection name	Remote fault indicator contact
Switching function	Changeover contact
Operating voltage	5 V AC ... 250 V AC
	125 V DC (200 mA DC)
Operating current	5 mA AC ... 1 A AC
	1 A DC (30 V DC)

### Connection data

Connection method	Screw connection
Screw thread	M5
Tightening torque	4.5 Nm
Stripping length	16 mm
Conductor cross section flexible	2.5 mm <sup>2</sup> ... 16 mm <sup>2</sup>
Conductor cross section solid	2.5 mm <sup>2</sup> ... 25 mm <sup>2</sup>
Conductor cross section AWG	12 ... 4
Connection method	Fork-type cable lug
Conductor cross section flexible	1.5 mm <sup>2</sup> ... 6 mm <sup>2</sup>

### Remote fault indicator contact

Connection method	Plug-in/screw connection via COMBICON
Screw thread	M2
Tightening torque	0.25 Nm
Conductor cross section flexible	0.14 mm <sup>2</sup> ... 1.5 mm <sup>2</sup>
Conductor cross section solid	0.14 mm <sup>2</sup> ... 1.5 mm <sup>2</sup>

# Type 2 surge arrester - VAL-SEC-T2-1S-350-FM



2905333

<https://www.phoenixcontact.com/us/products/2905333>

Conductor cross section AWG	28 ... 16
-----------------------------	-----------

## Dimensions

Dimensional drawing	
Width	25.4 mm
Height	97.9 mm
Depth	74.5 mm (incl. DIN rail 7.5 mm)
Horizontal pitch	1.4 Div.

## Material specifications

Color	light grey RAL 7035
	traffic grey A RAL 7042
Flammability rating according to UL 94	V-0
CTI value of material	600
Insulating material	PA6.6-FR 20% GF
	PBT-FR
Material group	I
Housing material	PA 6.6-FR 20 % GF
	PBT-FR

## Protective circuit

Mode of protection	L-N
	L-PE
	N-PE
Direction of action	1L-N & N-PE
Nominal voltage $U_N$	240 V AC (TN-S)
	240 V AC (TT)
Nominal frequency $f_N$	50 Hz (60 Hz)
Maximum continuous operating voltage $U_C$ (L-N)	350 V AC
Maximum continuous operating voltage $U_C$ (L-PE)	350 V AC
Maximum continuous operating voltage $U_C$ (N-PE)	264 V AC
Rated load current $I_L$	40 A (Biconnect M4 fork-type cable lug 6 mm <sup>2</sup> )
	63 A (TWIN ferrule 2 x 10 mm <sup>2</sup> )
Residual current $I_{PE}$	≤ 1 μA
Nominal discharge current $I_n$ (8/20) μs	20 kA
Maximum discharge current $I_{max}$ (8/20) μs	40 kA
Follow current interrupt rating $I_{fi}$ (N-PE)	100 A (264 V AC)
Short-circuit current rating $I_{SCCR}$	25 kA (for a backup fuse of up to 315 A gG)
	50 kA (for a backup fuse of up to 200 A gG)
Voltage protection level $U_p$ (L-N)	≤ 1.5 kV

# Type 2 surge arrester - VAL-SEC-T2-1S-350-FM



2905333

<https://www.phoenixcontact.com/us/products/2905333>

Voltage protection level $U_p$ (L-PE)	$\leq 1.9$ kV
Voltage protection level $U_p$ (N-PE)	$\leq 1.5$ kV
Residual voltage $U_{res}$ (L-N)	$\leq 1.5$ kV (at $I_n$ )
	$\leq 1.3$ kV (at 10 kA)
	$\leq 1.2$ kV (at 5 kA)
	$\leq 1.1$ kV (at 4 kA)
	$\leq 1$ kV (at 2 kA)
Residual voltage $U_{res}$ (L-PE)	$\leq 1.9$ kV (at $I_n$ )
	$\leq 1.5$ kV (at 10 kA)
	$\leq 1.4$ kV (at 5 kA)
	$\leq 1.3$ kV (at 4 kA)
	$\leq 1.2$ kV (at 2 kA)
Residual voltage $U_{res}$ (N-PE)	$\leq 0.5$ kV (at $I_n$ )
	$\leq 0.5$ kV (at 10 kA)
	$\leq 0.5$ kV (at 5 kA)
	$\leq 0.5$ kV (at 4 kA)
	$\leq 0.5$ kV (at 2 kA)
TOV behavior at $U_T$ (L-N)	415 V AC (5 s / withstand mode)
	457 V AC (120 min / safe failure mode)
TOV behavior at $U_T$ (N-PE)	1200 V AC (200 ms / withstand mode)
Response time $t_A$ (L-N)	$\leq 25$ ns
Response time $t_A$ (L-PE)	$\leq 100$ ns
Response time $t_A$ (N-PE)	$\leq 100$ ns
Max. backup fuse with V-type through wiring	40 A (gG / Biconnect M4 fork-type cable lug, 6 mm <sup>2</sup> )
	63 A (gG / TWIN ferrule 2x 10mm <sup>2</sup> )
Max. backup fuse with branch wiring	315 A (gG)

## Environmental and real-life conditions

### Ambient conditions

Degree of protection	IP20
Ambient temperature (operation)	-40 °C ... 80 °C
Ambient temperature (storage/transport)	-40 °C ... 80 °C
Altitude	$\leq 2000$ m (amsl (above mean sea level))
Permissible humidity (operation)	5 % ... 95 %
Shock (operation)	30g (Half-sine / 11 ms / 3x $\pm X$ , $\pm Y$ , $\pm Z$ )
Vibration (operation)	5g (10 ... 500 Hz / 2.5 h / X, Y, Z)

## Approval data

### UL specifications

Maximum continuous operating voltage MCOV (L-N)	350 V AC
Maximum continuous operating voltage MCOV (L-G)	350 V AC
Maximum continuous operating voltage MCOV (N-G)	264 V AC
Nominal discharge current $I_n$ (L-N)	20 kA

# Type 2 surge arrester - VAL-SEC-T2-1S-350-FM



2905333

<https://www.phoenixcontact.com/us/products/2905333>

Nominal discharge current $I_n$ (L-G)	20 kA
Nominal discharge current $I_n$ (N-G)	20 kA
Mode of protection	L-N
	L-G
	N-G
Nominal voltage	240 V AC
Power distribution system	Single phase
Nominal frequency	50/60 Hz
Measured limiting voltage MLV (L-N)	2000 V
Measured limiting voltage MLV (L-G)	2080 V
Measured limiting voltage MLV (N-G)	950 V
Follow current (L-G)	200 A (264 V AC)
SPD Type	4CA

## UL indicator/remote signaling

AC operating voltage	125 V AC
AC operating current	1 A AC

## UL connection data

Tightening torque	40 lb <sub>F</sub> -in. ... 50 lb <sub>F</sub> -in.
Conductor cross section AWG	14 ... 2 (solid)
	14 ... 4 (flexible)

## Standards and regulations

### Air clearances and creepage distances

Standards/regulations	DIN VDE 0110-1 / IEC 60664-1 / IEC 61643-11
Standards/specifications	IEC 61643-11

### EN 61643-11

Standards/specifications	EN 61643-11
--------------------------	-------------

## Mounting

Mounting type	DIN rail: 35 mm
---------------	-----------------

# Type 2 surge arrester - VAL-SEC-T2-1S-350-FM

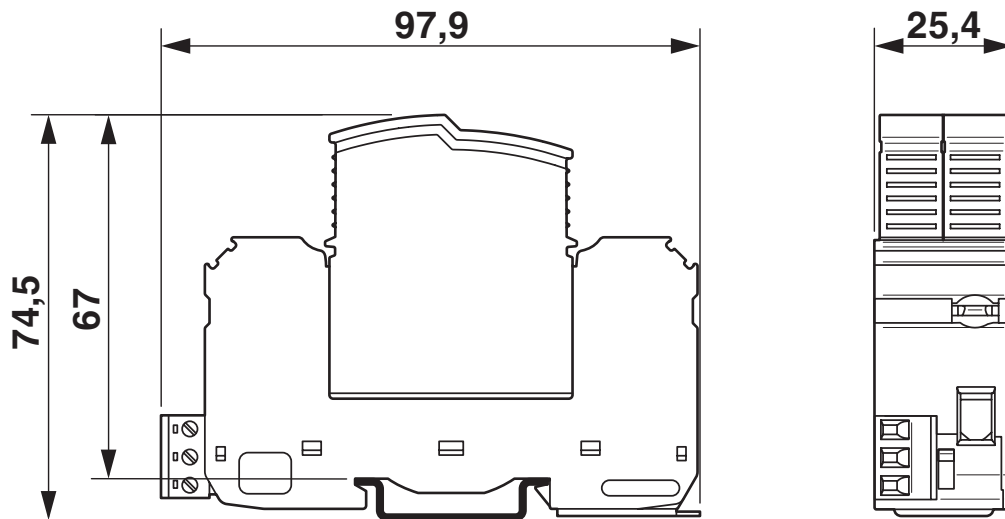
2905333

<https://www.phoenixcontact.com/us/products/2905333>



## Drawings

Dimensional drawing



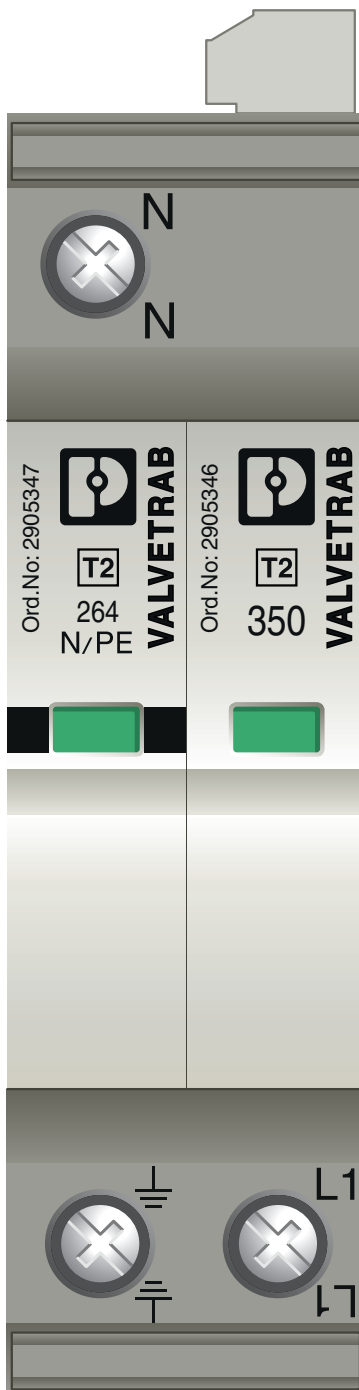
# Type 2 surge arrester - VAL-SEC-T2-1S-350-FM

2905333

<https://www.phoenixcontact.com/us/products/2905333>



Product drawing



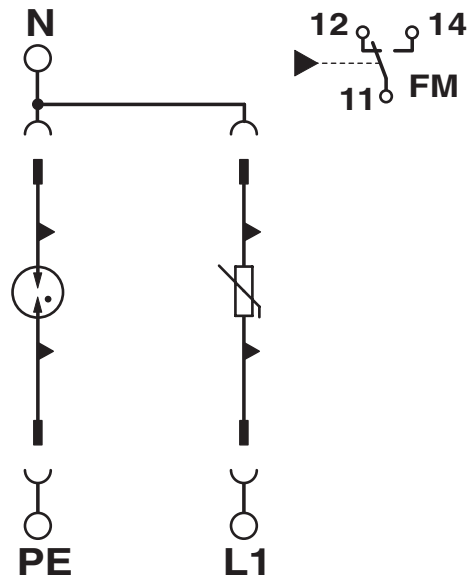
# Type 2 surge arrester - VAL-SEC-T2-1S-350-FM

2905333

<https://www.phoenixcontact.com/us/products/2905333>



Circuit diagram



# Type 2 surge arrester - VAL-SEC-T2-1S-350-FM



2905333

<https://www.phoenixcontact.com/us/products/2905333>

## Approvals



**cUL Recognized**  
Approval ID: FILE E 330181



**UL Recognized**  
Approval ID: FILE E 330181



**IECEE CB Scheme**  
Approval ID: NL-34356



**EAC**  
Approval ID: RU C-DE.\*09.B.00169

### CCA

Approval ID: NTR-NL 7347

Nominal Voltage  $U_N$

Nominal Current  $I_N$

Cross Section AWG

Cross Section  $\text{mm}^2$

-

-



**KEMA-KEUR**  
Approval ID: 2196453.01



**DNV GL**  
Approval ID: TAE000023D

Nominal Voltage  $U_N$

Nominal Current  $I_N$

Cross Section AWG

Cross Section  $\text{mm}^2$

-

-

**cULus Recognized**

# Type 2 surge arrester - VAL-SEC-T2-1S-350-FM



2905333

<https://www.phoenixcontact.com/us/products/2905333>

## Classifications

### ECLASS

ECLASS-9.0	27130805
ECLASS-10.0.1	27130805
ECLASS-11.0	27130805
ECLASS-12.0	27171202

### ETIM

ETIM 8.0	EC000941
----------	----------

### UNSPSC

UNSPSC 21.0	39121600
-------------	----------

# Type 2 surge arrester - VAL-SEC-T2-1S-350-FM



2905333

<https://www.phoenixcontact.com/us/products/2905333>

## Environmental Product Compliance

China RoHS	Environmentally Friendly Use Period = 50 years For information on hazardous substances, refer to the manufacturer's declaration available under "Downloads"
------------	--

# Type 2 surge arrester - VAL-SEC-T2-1S-350-FM

2905333

<https://www.phoenixcontact.com/us/products/2905333>



## Accessories

### End clamp

End clamp - CLIPFIX 35 - 3022218

<https://www.phoenixcontact.com/us/products/3022218>



Quick mounting end clamp for NS 35/7,5 DIN rail or NS 35/15 DIN rail, with marking option, width: 9.5 mm, color: gray

---

### Marker pen

Marker pen - X-PEN 0,35 - 0811228

<https://www.phoenixcontact.com/us/products/0811228>



Marker pen without ink cartridge, for manual labeling of markers, labeling extremely wipe-proof, line thickness 0.35 mm

# Type 2 surge arrester - VAL-SEC-T2-1S-350-FM



2905333

<https://www.phoenixcontact.com/us/products/2905333>

## Label

Label - EML (20XE)R - 0803452

<https://www.phoenixcontact.com/us/products/0803452>



Label, Roll, white, unlabeled, can be labeled with: THERMOMARK E.300 (D)/600 (D), THERMOMARK ROLL 2.0, THERMOMARK ROLL, THERMOMARK ROLL X1, THERMOMARK ROLLMASTER 300/600, THERMOMARK X1.2, mounting type: adhesive, lettering field size: continuous x 20 mm

---

## Label

Label - EML (20XE)R YE - 0803453

<https://www.phoenixcontact.com/us/products/0803453>



Label, Roll, yellow, unlabeled, can be labeled with: THERMOMARK E.300 (D)/600 (D), THERMOMARK ROLL 2.0, THERMOMARK ROLL, THERMOMARK ROLL X1, THERMOMARK ROLLMASTER 300/600, THERMOMARK X1.2, mounting type: adhesive, lettering field size: continuous x 20 mm

# Type 2 surge arrester - VAL-SEC-T2-1S-350-FM

2905333

<https://www.phoenixcontact.com/us/products/2905333>

## Zack marker strip

Zack marker strip - ZBN 18:UNBEDRUCKT - 2809128

<https://www.phoenixcontact.com/us/products/2809128>



Zack marker strip, Strip, white, unlabeled, can be labeled with: CMS-P1-PLOTTER, PLOTMARK, mounting type: snapped, for terminal block width: 18 mm, lettering field size: 18 x 5 mm, Number of individual labels: 5

---

## Marker for terminal blocks

Marker for terminal blocks - ZBN 18,LGS:L1-N,ERDE - 2749576

<https://www.phoenixcontact.com/us/products/2749576>



Marker for terminal blocks, Strip, white, labeled, horizontal: L1, L2, L3, N, GND, mounting type: snapped, for terminal block width: 18 mm, lettering field size: 18 x 5 mm, Number of individual labels: 5

# Type 2 surge arrester - VAL-SEC-T2-1S-350-FM



2905333

<https://www.phoenixcontact.com/us/products/2905333>

## Marker for terminal blocks

Marker for terminal blocks - ZBN 18,LGS:ERDE - 2749589

<https://www.phoenixcontact.com/us/products/2749589>



Marker for terminal blocks, Strip, white, labeled, horizontal: Grounding symbol, mounting type: snapped, for terminal block width: 18 mm, lettering field size: 18 x 5 mm, Number of individual labels: 5

---

## Flat zack marker sheet

Flat zack marker sheet - ZBFM 5/WH:UNBEDRUCKT - 0803595

<https://www.phoenixcontact.com/us/products/0803595>



Flat zack marker sheet, Sheet, white, unlabeled, can be labeled with: CMS-P1-PLOTTER, PLOTMARK, mounting type: snapped, for terminal block width: 5.2 mm, lettering field size: 5 x 4.5 mm, Number of individual labels: 120

# Type 2 surge arrester - VAL-SEC-T2-1S-350-FM



2905333

<https://www.phoenixcontact.com/us/products/2905333>

## Type 2 surge protection plug

Type 2 surge protection plug - VAL-SEC-T2-350-P - 2905346

<https://www.phoenixcontact.com/us/products/2905346>



Replacement plug for surge arresters from the VALVETRAB SEC product range for L-N and L-PEN paths.

---

## Type 2 surge protection plug

Type 2 surge protection plug - VAL-SEC-T2-N/PE-350-P - 2905347

<https://www.phoenixcontact.com/us/products/2905347>



Replacement plug for surge arresters from the VALVETRAB SEC product range for the N-PE path.

---

Phoenix Contact 2022 © - all rights reserved  
<https://www.phoenixcontact.com>

Phoenix Contact USA  
586 Fulling Mill Road  
Middletown, PA 17057, United States  
(+717) 944-1300  
[info@phoenixcon.com](mailto:info@phoenixcon.com)