

Watertight Devices
30A, 250V 2 Pole, 3 Wire
Twist-Lock® Plugs

HUBBELL

Features

- UV resistant thermoplastic elastomer body with easy grip ribs
- Impact resistant PBT non metallic components
- Stainless steel assembly screws

Ordering Information

Description	Cord Diameter	UPC	Catalog Number
Yellow plug	.475"-.720" (12.1-19.2)	783585184319	28W48H



Listings

Listed to UL498
Certified to CSA C22.2 No. 42
Meets NEMA WD-1, WD-6 and ANSI standards

Specifications

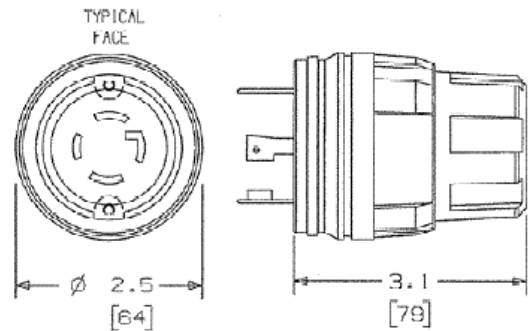
Housing	TPE
Terminal Retainer	Clear polycarbonate
Blades	Nickel plated brass
Terminal Screws	Steel, chromate
Strain Relief Nut	PBT
Assembly Screws	Stainless Steel

Performance

Electrical	
Current Interrupting	Rated for current interruption per UL498
Dielectric Voltage	2500V AC

Mechanical	
Terminal Accommodations	14 AWG to 10 AWG

Environmental	
Moisture Resistance	NEMA 4, 4X, 12, 6, 6P
Operating temperatures	-40°C (without impact) to +60°C continuous
UV resistance	All exposed materials are UV stabilized



Resources

Customer Use Drawing
eCatalog

Dimensions in Inches (mm)

Hubbell Wiring Device-Kellems • Hubbell Incorporated (Delaware) • 40 Waterview Drive • Shelton, CT 06484

Phone (800) 288-6000 • Fax (800) 255-1031 • Specifications subject to change without notice.

