

Surge protection device - S-PT-1X2-24DC-3/4"



2882598

<https://www.phoenixcontact.com/us/products/2882598>

Please be informed that the data shown in this PDF document is generated from our Online Catalog. Please find the complete data in the user documentation. Our General Terms of Use for Downloads are valid.



Surge protection in the IP67 screw-on module for measuring sensors, direct mounting with 3/4" NPT outer thread, cable gland for the signal cable, two-stage protective circuit. HART-compatible.

Your advantages

- Easiest field mounting with standardized thread
- Versatile in use with universal protective circuit
- Use under extreme ambient conditions with robust design

Commercial Data

Item number	2882598
Packing unit	1 pc
Minimum order quantity	1 pc
Note	Made to Order (non-returnable)
Sales Key	C07
Product Key	CL2231
Catalog Page	Page 125 (C-4-2019)
GTIN	4046356098182
Weight per Piece (including packing)	439.5 g
Weight per Piece (excluding packing)	400.91 g
Customs tariff number	85363010
Country of origin	DE

Surge protection device - S-PT-1X2-24DC-3/4"



2882598

<https://www.phoenixcontact.com/us/products/2882598>

Technical Data

Notes

Notes on operation	When the bridge is disconnected, the shield connection is indirectly connected to the housing or reference potential.
--------------------	---

Product properties

IEC test classification	C1
	C2
	C3
	D1
Type	Screw-in module
Product type	Surge protection for MCR technology
Number of positions	3
Surge protection fault message	none
Wire pairs per module	1

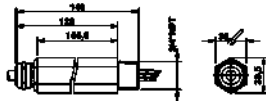
Insulation characteristics

Overvoltage category	III
Pollution degree	2

Connection data

Connection method	Screw connection
Screw thread	M3
Tightening torque	0.6 Nm
Conductor cross section flexible	0.14 mm ² ... 1.5 mm ²
Conductor cross section solid	0.14 mm ² ... 1.5 mm ²
Conductor cross section AWG	26 ... 16

Dimensions

Dimensional drawing	
Width	33.5 mm
Height	33.5 mm
Depth	148 mm

Material specifications

Color	silver
Housing material	Zinc die-cast, surface bronzed and nickel-plated

Mechanical properties

Surge protection device - S-PT-1X2-24DC-3/4"



2882598

<https://www.phoenixcontact.com/us/products/2882598>

Mechanical data

Open side panel	No
-----------------	----

Protective circuit

Direction of action	Line-Line & Line-Earth Ground
Maximum continuous voltage U_C	40 V DC
	28 V AC
Rated current	450 mA (55 °C)
Operating effective current I_C at U_C	$\leq 10 \mu\text{A}$
Residual current I_{PE}	$\leq 2 \mu\text{A}$
Nominal discharge current I_n (8/20) μs (line-line)	10 kA
Nominal discharge surge current I_n (8/20) μs (Core-Earth)	10 kA (per path)
Nominal discharge current I_n (8/20) μs (shield-earth)	10 kA (optional)
Pulse discharge current I_{imp} (10/350) μs	1 kA
Total discharge current I_{total} (8/20) μs	20 kA
Total discharge current I_{total} (10/350) μs	2 kA
Max. discharge current I_{max} (8/20) μs maximum (line-line)	10 kA
Max. discharge current I_{max} (8/20) μs maximum (line-earth)	10 kA (per path)
Max. discharge current I_{max} (8/20) μs maximum (shield-earth)	10 kA
Nominal pulse current I_{an} (10/1000) μs (line-line)	23 A
Nominal pulse current I_{an} (10/1000) μs (line-earth)	100 A
Nominal pulse current I_{an} (10/1000) μs (shield-earth)	100 A
Output voltage limitation at 1 kV/ μs (line-line) spike	$\leq 55 \text{ V}$
Output voltage limitation at 1 kV/ μs (line-earth) spike	$\leq 450 \text{ V}$ (Direct grounding)
Output voltage limitation at 1 kV/ μs (shield-earth) spike	$\leq 600 \text{ V}$ (optional)
Output voltage limitation at 1 kV/ μs (line-line) static	$\leq 55 \text{ V}$
Output voltage limitation at 1 kV/ μs (line-earth) static	$\leq 450 \text{ V}$ (Direct grounding)
Residual voltage at I_n (conductor-conductor)	$\leq 55 \text{ V}$
Residual voltage with I_{an} (10/1000) μs (line-line)	$\leq 65 \text{ V}$
Voltage protection level U_p (line-line)	$\leq 80 \text{ V}$ (C2 - 10 kV / 5 kA)
Voltage protection level U_p (line-earth)	$\leq 450 \text{ V}$ (C2 - 10 kV / 5 kA)
Voltage protection level U_p (shield-earth)	$\leq 600 \text{ V}$ (C2 - 10 kV / 5 kA)
Voltage protection level U_p static (line-line)	$\leq 50 \text{ V}$ (C2 - 10 kV / 5 kA)
Response time t_A (line-line)	$\leq 1 \text{ ns}$
Response time t_A (line-earth)	$\leq 100 \text{ ns}$
Response time t_A (shield-earth)	$\leq 100 \text{ ns}$
Input attenuation aE, sym.	typ. 0.5 dB ($\leq 1.5 \text{ MHz} / 50 \Omega$)
	typ. 0.2 dB ($\leq 300 \text{ kHz} / 150 \Omega$)
Cut-off frequency f_g (3 dB), sym. in 50 Ω system	typ. 6 MHz
Cut-off frequency f_g (3 dB), sym. in 150 Ω system	typ. 2 MHz
Resistance per path	2.2 $\Omega \pm 10 \%$
Surge protection fault message	none
Max. required back-up fuse	500 mA (T)

Surge protection device - S-PT-1X2-24DC-3/4"



2882598

<https://www.phoenixcontact.com/us/products/2882598>

Impulse durability (line-line)	C2 - 10 kV / 5 kA
	D1 - 1 kA
Impulse durability (line-earth)	C2 - 10 kV / 5 kA
	D1 - 1 kA
Impulse durability (shield-earth)	C2 - 10 kV/5 kA
	D1 - 1 kA

Environmental and real-life conditions

Ambient conditions

Degree of protection	IP67
Ambient temperature (operation)	-40 °C ... 85 °C
Ambient temperature (storage/transport)	-40 °C ... 85 °C
Altitude	≤ 2000 m (amsl (above mean sea level))

Standards and regulations

Air clearances and creepage distances

Standards/regulations	IEC 60664-1 / VDE 0110-1
Standards/specifications	IEC 61643-21

Mounting

Mounting type	direct screw connection
---------------	-------------------------

Surge protection device - S-PT-1X2-24DC-3/4"

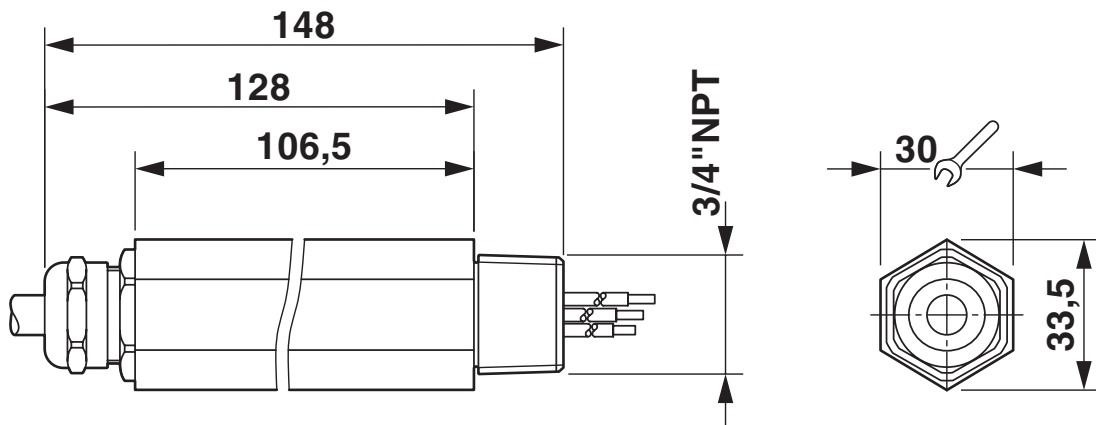


2882598

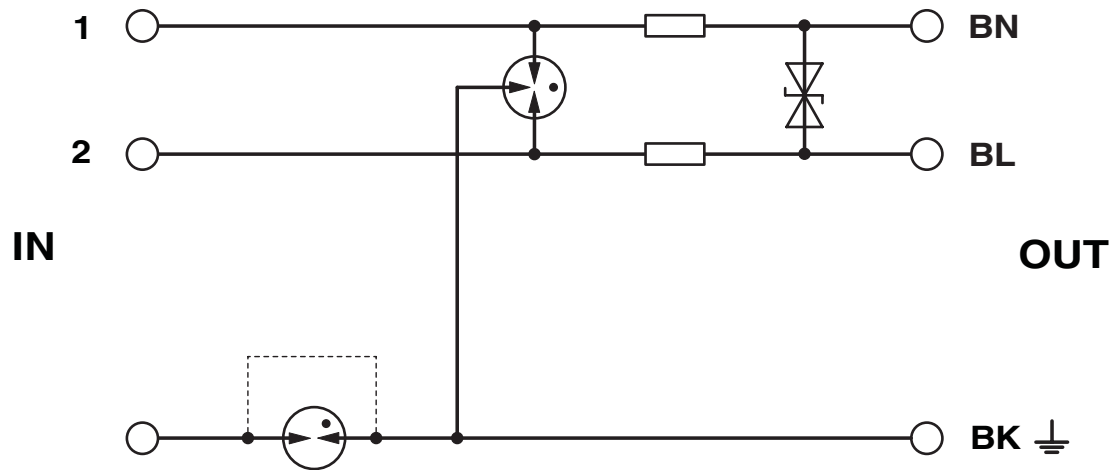
<https://www.phoenixcontact.com/us/products/2882598>

Drawings

Dimensional drawing



Circuit diagram



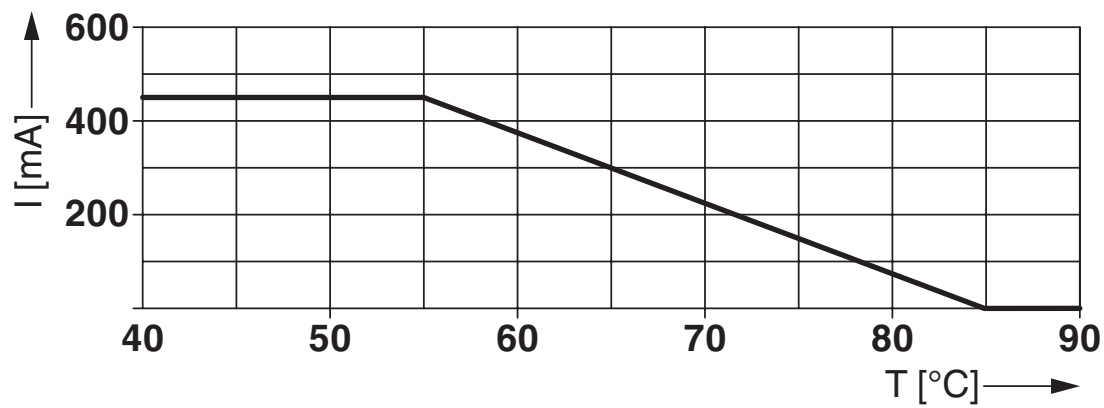
Surge protection device - S-PT-1X2-24DC-3/4"



2882598

<https://www.phoenixcontact.com/us/products/2882598>

Diagram



Surge protection device - S-PT-1X2-24DC-3/4"



2882598

<https://www.phoenixcontact.com/us/products/2882598>

Approvals



EAC

Approval ID: EAC-Zulassung



EAC

Approval ID: RU C-DE.*09.B.00169

Surge protection device - S-PT-1X2-24DC-3/4"



2882598

<https://www.phoenixcontact.com/us/products/2882598>

Classifications

ECLASS

ECLASS-9.0	27130807
ECLASS-10.0.1	27130807
ECLASS-11.0	27130807

ETIM

ETIM 8.0	EC000943
----------	----------

UNSPSC

UNSPSC 21.0	39121600
-------------	----------

Surge protection device - S-PT-1X2-24DC-3/4"



2882598

<https://www.phoenixcontact.com/us/products/2882598>

Environmental Product Compliance

REACH SVHC	Lead 7439-92-1
China RoHS	Environmentally Friendly Use Period = 50 years
	For information on hazardous substances, refer to the manufacturer's declaration available under "Downloads"

Phoenix Contact 2022 © - all rights reserved

<https://www.phoenixcontact.com>

Phoenix Contact USA
586 Fulling Mill Road
Middletown, PA 17057, United States
(+717) 944-1300
info@phoenixcon.com