

# Type 1 surge protection plug - FLT-CP-350-ST



2881887

<https://www.phoenixcontact.com/in/products/2881887>

Please be informed that the data shown in this PDF document is generated from our Online Catalog. Please find the complete data in the user documentation. Our General Terms of Use for Downloads are valid.



Type 1 / Class I / B arrester (lightning current arrester) replacement plug for paths L-N and L-PEN, can be combined with FLASHTRAB compact series of products.

## Commercial Data

Item number	2881887
Packing unit	1 pc
Minimum order quantity	1 pc
Note	Made to Order (non-returnable)
Sales Key	CL1
Product Key	CL1211
Catalog Page	Page 36 (C-6-2013)
GTIN	4046356098557
Weight per Piece (including packing)	135.45 g
Weight per Piece (excluding packing)	127.93 g
Customs tariff number	85363030
Country of origin	DE

# Type 1 surge protection plug - FLT-CP-350-ST

2881887

<https://www.phoenixcontact.com/in/products/2881887>

## Technical Data

### Notes

#### General

Note	Only in parallel connection with VAL-CP-350-ST. The technical parameters are based on the combination of the two products.
------	--

### Product properties

IEC test classification	I / II
	T1 / T2
EN type	T1 / T2
IEC power supply system	TN
	TT
Type	Male
Product type	Replacement plug
Number of positions	1
Surge protection fault message	optical

#### Insulation characteristics

Overvoltage category	III
Pollution degree	2

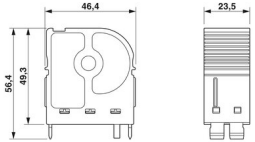
### Electrical properties

Nominal frequency $f_N$	50 Hz (60 Hz)
-------------------------	---------------

### Connection data

Connection method	pluggable
-------------------	-----------

### Dimensions

Dimensional drawing	
Width	23.5 mm
Height	46.6 mm
Depth	56.4 mm
Horizontal pitch	2 Div.

### Material specifications

Color	gray/blue
Flammability rating according to UL 94	V-0
CTI value of material	600
Insulating material	PA 6.6/PBT

# Type 1 surge protection plug - FLT-CP-350-ST



2881887

<https://www.phoenixcontact.com/in/products/2881887>

Material group	I
Housing material	PBT

## Protective circuit

Mode of protection	L-PEN
	L-N
Direction of action	L-N / L-PEN
Nominal voltage $U_N$	240 V AC (TN)
	240 V AC (TT)
Nominal frequency $f_N$	50 Hz (60 Hz)
Maximum continuous voltage $U_C$	350 V AC
Nominal discharge current $I_n$ (8/20) $\mu$ s	25 kA
Impulse discharge current (10/350) $\mu$ s, charge	12.5 As
Impulse discharge current (10/350) $\mu$ s, specific energy	160 kJ/ $\Omega$
Impulse discharge current (10/350) $\mu$ s, peak value $I_{imp}$	25 kA
Follow current interrupt rating $I_{fi}$	25 kA (264 V AC)
	3 kA (350 V AC)
Short-circuit current rating $I_{SCCR}$	25 kA (264 V AC)
	3 kA (350 V AC)
Voltage protection level $U_p$	$\leq 1.5$ kV
Residual voltage $U_{res}$	$\leq 1.5$ kV (at $I_n$ )
	$\leq 1.2$ kV (at 10 kA)
	$\leq 1$ kV (at 5 kA)
	$\leq 0.9$ kV (at 3 kA)
Front of wave sparkover voltage at 6 kV (1.2/50) $\mu$ s	$\leq 1.5$ kV
TOV behavior at $U_T$	415 V AC (5 s / withstand mode)
	457 V AC (120 min / safe failure mode)
Response time $t_A$	$\leq 25$ ns
Max. backup fuse with branch wiring	315 A (gG)

## Environmental and real-life conditions

### Ambient conditions

Degree of protection	IP20
Ambient temperature (operation)	-40 °C ... 80 °C
Ambient temperature (storage/transport)	-40 °C ... 80 °C
Altitude	$\leq 2000$ m (amsl (above mean sea level))
Permissible humidity (operation)	5 % ... 95 %
Shock (operation)	25g (Half-sine / 11 ms / 3x $\pm$ X, $\pm$ Y, $\pm$ Z)
Vibration (operation)	5g (5 - 500 Hz/2.5 h/X, Y, Z)

## Approval data

### UL specifications

Maximum continuous operating voltage MCOV (L-N)	264 V AC
---	----------

# Type 1 surge protection plug - FLT-CP-350-ST



2881887

<https://www.phoenixcontact.com/in/products/2881887>

Nominal discharge current $I_n$ (L-N)	20 kA
Mode of protection	L-N
Nominal voltage	240 V AC
Power distribution system	Split phase
Nominal frequency	50/60 Hz
Measured limiting voltage MLV (L-N)	1340 V
Follow current (L-N)	10 kA (264 V AC)
SPD Type	4CA

## Standards and regulations

### Air clearances and creepage distances

Standards/regulations	IEC 664-1 / IEC 61643-1 / IEC 61643-11
Standards/specifications	IEC 61643-11
Standards/specifications	EN 61643-11

## Mounting

Mounting type	on base element
---------------	-----------------

# Type 1 surge protection plug - FLT-CP-350-ST

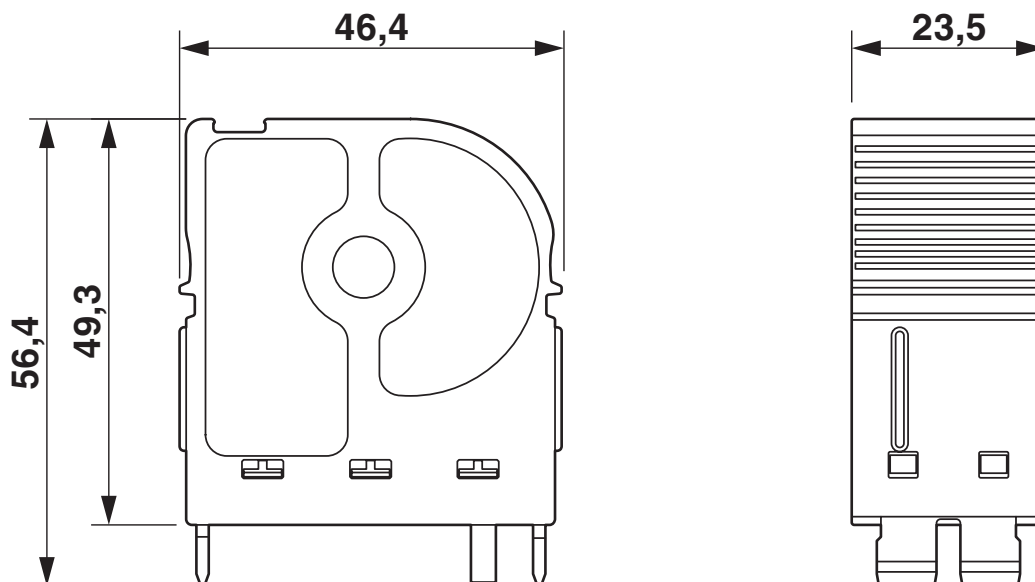
2881887

<https://www.phoenixcontact.com/in/products/2881887>

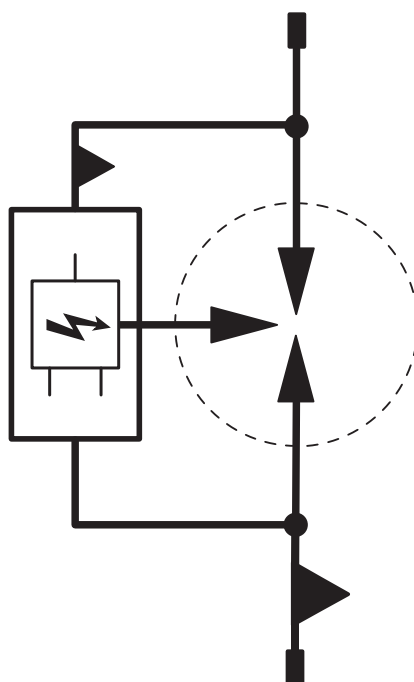


## Drawings

Dimensional drawing



Circuit diagram



# Type 1 surge protection plug - FLT-CP-350-ST



2881887

<https://www.phoenixcontact.com/in/products/2881887>

## Approvals



**cUL Recognized**

Approval ID: FILE E 330181



**UL Recognized**

Approval ID: FILE E 330181



**IECEE CB Scheme**

Approval ID: NL-58250



**EAC**

Approval ID: EAC-Zulassung

**CCA**

Approval ID: NTR-NL 7734



**KEMA-KEUR**

Approval ID: 71-108169



**EAC**

Approval ID: RU C-DE.\*09.B.00169

**cULus Recognized**

# Type 1 surge protection plug - FLT-CP-350-ST



2881887

<https://www.phoenixcontact.com/in/products/2881887>

## Classifications

### ECLASS

ECLASS-9.0	27130802
ECLASS-10.0.1	27130802
ECLASS-11.0	27130802

### ETIM

ETIM 8.0	EC000381
----------	----------

### UNSPSC

UNSPSC 21.0	39121600
-------------	----------

# Type 1 surge protection plug - FLT-CP-350-ST



2881887

<https://www.phoenixcontact.com/in/products/2881887>

## Environmental Product Compliance

China RoHS	Environmentally friendly use period: unlimited = EFUP-e
	No hazardous substances above threshold values

# Type 1 surge protection plug - FLT-CP-350-ST

2881887

<https://www.phoenixcontact.com/in/products/2881887>

## Accessories

### Marker pen

Marker pen - B-STIFT - 1051993

<https://www.phoenixcontact.com/in/products/1051993>



Marker pen, for manual labeling of unprinted Zack strips, smear-proof and waterproof, line thickness 0.5 mm

---

### Zack marker strip

Zack marker strip - ZBN 18:UNBEDRUCKT - 2809128

<https://www.phoenixcontact.com/in/products/2809128>



Zack marker strip, Strip, white, unlabeled, can be labeled with: CMS-P1-PLOTTER, PLOTMARK, mounting type: snapped, for terminal block width: 18 mm, lettering field size: 18 x 5 mm, Number of individual labels: 5

# Type 1 surge protection plug - FLT-CP-350-ST

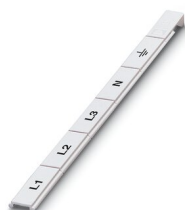
2881887

<https://www.phoenixcontact.com/in/products/2881887>

## Marker for terminal blocks

Marker for terminal blocks - ZBN 18,LGS:L1-N,ERDE - 2749576

<https://www.phoenixcontact.com/in/products/2749576>



Marker for terminal blocks, Strip, white, labeled, horizontal: L1, L2, L3, N, GND, mounting type: snapped, for terminal block width: 18 mm, lettering field size: 18 x 5 mm, Number of individual labels: 5

---

## Marker for terminal blocks

Marker for terminal blocks - ZBN 18,LGS:ERDE - 2749589

<https://www.phoenixcontact.com/in/products/2749589>



Marker for terminal blocks, Strip, white, labeled, horizontal: Grounding symbol, mounting type: snapped, for terminal block width: 18 mm, lettering field size: 18 x 5 mm, Number of individual labels: 5

# Type 1 surge protection plug - FLT-CP-350-ST



2881887

<https://www.phoenixcontact.com/in/products/2881887>

## Flat zack marker sheet

Flat zack marker sheet - ZBFM 5/WH:UNBEDRUCKT - 0803595

<https://www.phoenixcontact.com/in/products/0803595>

Flat zack marker sheet, Sheet, white, unlabeled, can be labeled with: CMS-P1-PLOTTER, PLOTMARK, mounting type: snapped, for terminal block width: 5.2 mm, lettering field size: 5 x 4.5 mm, Number of individual labels: 120



---

Phoenix Contact 2023 © - all rights reserved

<https://www.phoenixcontact.com>

PHOENIX CONTACT (I) Pvt. Ltd.

A-58/2, Okhla Industrial Area, Phase - II, New Delhi-110 020

+91.1275.71420

[info@phoenixcontact.co.in](mailto:info@phoenixcontact.co.in)