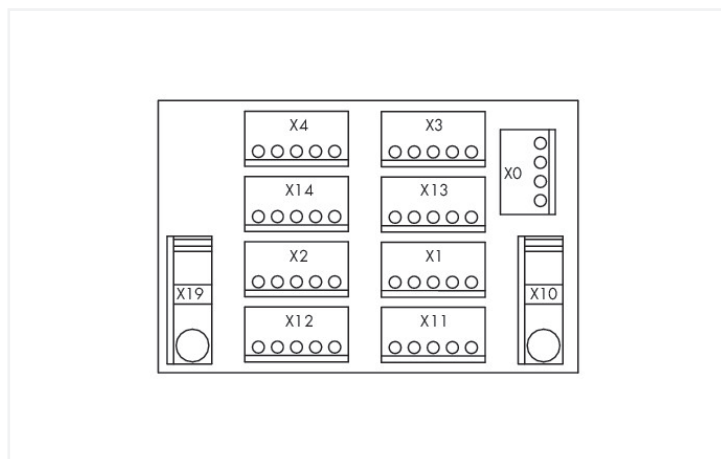
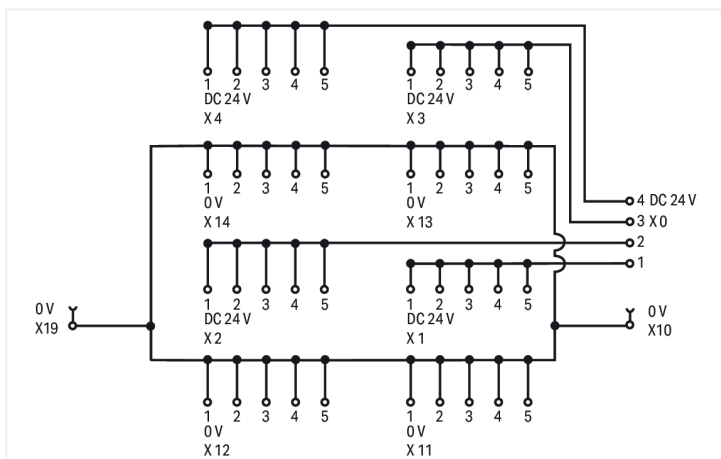
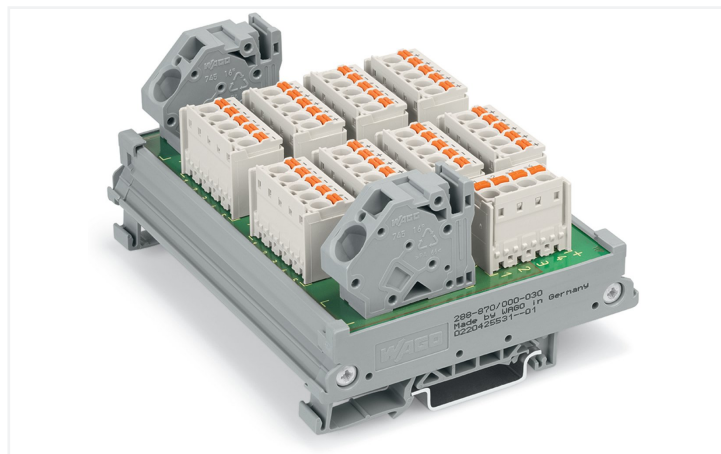
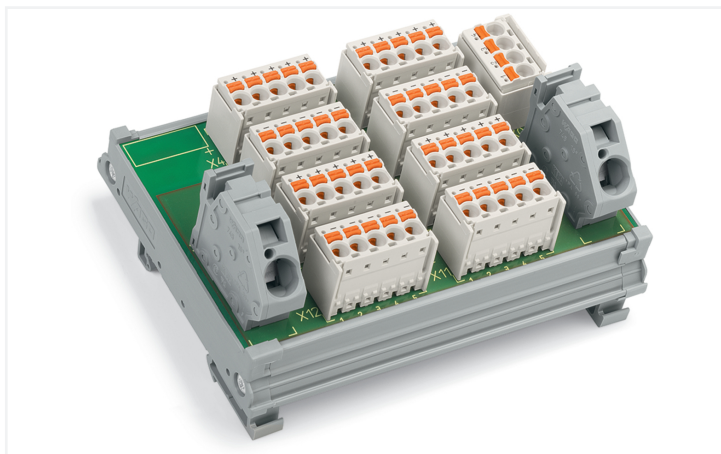


Data Sheet | Item Number: 288-870/000-030

Potential distribution module; 4 potentials; with 6 connection points each; with 22 ground clamping points

<https://www.wago.com/288-870/000-030>



Features:

- May be used with electronic circuit breakers for 24 and 0 VDC power distribution, as a substitute for rail-mount terminal blocks
- Pre-wiring and electrical isolation of current paths via pluggable *picOMAX*® Female Headers
- Optional coding pins (2092-1610) protect against any inadvertent mixing of female headers
- Optional gripping plates with sliding connector release (2092-1601/002-000 or 2092-1602/002-000) provide conductor strain relief
- 0 V may be supplied to the adjacent modules via comb-style jumper bar (745-682)

Electrical data

Nominal operating voltage	DC 24 V
Current per connection (max.)	10 A
Total current per potential (max.)	10 A
Total current 0 V (max.)	40 A

Connection data

Total number of potentials	4
Clamping units	28
Connection type 1	Power supply 0 V
Mating direction	45°
Connection technology	CAGE CLAMP®
WAGO connector	WAGO 745 Series
Solid conductor	0.2 ... 16 mm ² / 24 ... 6 AWG
Fine-stranded conductor	0.2 ... 16 mm ² / 24 ... 6 AWG
Strip length	12 ... 13 mm / 0.47 ... 0.51 inches
Connection type 2	Power supply 24 V; connection points
Mating direction 2	45°
Connection technology 2	Push-in CAGE CLAMP®
WAGO connector 2	<i>picoMAX</i> ® 5.0 (WAGO 2092 Series)
Solid conductor 2	0.2 ... 2.5 mm ² / 24 ... 12 AWG
Fine-stranded conductor 2	0.2 ... 2.5 mm ² / 24 ... 12 AWG
Strip length 2	9 ... 10 mm / 0.35 ... 0.39 inches
Note (conductor cross-section)	12 AWG: THHN, THWN

Physical data

Width	100 mm / 3.937 inches
Height	85 mm / 3.346 inches
Depth from upper-edge of DIN-rail	49 mm / 1.929 inches

Mechanical data

Mounting type	DIN-35 rail
Housing design	Mounting carrier

Material data

Fire load	2.324 MJ
Weight	140.4 g

Environmental requirements

Ambient temperature (operation)	-25 ... +70 °C (without condensation)
Ambient temperature (storage)	-40 ... +85 °C

Commercial data

eCl@ss 10.0	27-14-11-52
eCl@ss 9.0	27-14-11-52
ETIM 9.0	EC002780
ETIM 8.0	EC002780
PU (SPU)	1 pcs
Packaging type	Box
Country of origin	DE
GTIN	4055143107662
Customs tariff number	85369010000

Environmental Product Compliance

RoHS Compliance Status Compliant, No Exemption

Downloads

Environmental Product Compliance

Compliance Search

Environmental Product Compliance 288-870/000-030

Documentation

Bid Text			
288-870/000-030	19.02.2019	xml 4.92 KB	
288-870/000-030	02.01.2017	doc 30.00 KB	

Instruction Leaflet	
pdf	1246.19 KB

CAD/CAE-Data

CAD data	
2D/3D Models	288-870/000-030

CAE data	
EPLAN Data Portal	288-870/000-030
ZUKEN Portal	288-870/000-030

1 Compatible Products

1.1 Optional Accessories

1.1.1 Ferrule

1.1.1.1 Ferrule

<p>Item No.: 216-262 Ferrule; Sleeve for 0.75 mm² / 18 AWG; insulated; electro-tin plated; electrolytic copper; gastight crimped; acc. to DIN 46228, Part 4/09.90; gray</p>	<p>Item No.: 216-263 Ferrule; Sleeve for 1 mm² / AWG 18; insulated; electro-tin plated; electrolytic copper; gastight crimped; acc. to DIN 46228, Part 4/09.90; red</p>	<p>Item No.: 216-264 Ferrule; Sleeve for 1.5 mm² / AWG 16; insulated; electro-tin plated; electrolytic copper; gastight crimped; acc. to DIN 46228, Part 4/09.90; black</p>	<p>Item No.: 216-284 Ferrule; Sleeve for 1.5 mm² / AWG 16; insulated; electro-tin plated; electrolytic copper; gastight crimped; acc. to DIN 46228, Part 4/09.90; black</p>
<p>Item No.: 216-289 Ferrule; Sleeve for 10 mm² / AWG 8; insulated; electro-tin plated; electrolytic copper; gastight crimped; acc. to DIN 46228, Part 4/09.90; red</p>	<p>Item No.: 216-209 Ferrule; Sleeve for 10 mm² / AWG 8; insulated; electro-tin plated; red</p>	<p>Item No.: 216-266 Ferrule; Sleeve for 2.5 mm² / AWG 14; insulated; electro-tin plated; electrolytic copper; gastight crimped; acc. to DIN 46228, Part 4/09.90; blue</p>	<p>Item No.: 216-286 Ferrule; Sleeve for 2.5 mm² / AWG 14; insulated; electro-tin plated; electrolytic copper; gastight crimped; acc. to DIN 46228, Part 4/09.90; blue</p>
<p>Item No.: 216-267 Ferrule; Sleeve for 4 mm² / AWG 12; insulated; electro-tin plated; electrolytic copper; gastight crimped; acc. to DIN 46228, Part 4/09.90; gray</p>	<p>Item No.: 216-287 Ferrule; Sleeve for 4 mm² / AWG 12; insulated; electro-tin plated; electrolytic copper; gastight crimped; acc. to DIN 46228, Part 4/09.90; gray</p>	<p>Item No.: 216-208 Ferrule; Sleeve for 6 mm² / AWG 10; insulated; electro-tin plated; electrolytic copper; gastight crimped; acc. to DIN 46228, Part 4/09.90; yellow</p>	<p>Item No.: 216-288 Ferrule; Sleeve for 6 mm² / AWG 10; insulated; electro-tin plated; electrolytic copper; gastight crimped; acc. to DIN 46228, Part 4/09.90; yellow</p>

1.1.2 Jumper

1.1.2.1 Jumper



Item No.: 745-682

Jumper; 2-way; unplated; silver-colored

1.1.3 Marking

1.1.3.1 Marker



Item No.: 2009-145

Mini-WSB Inline; for Smart Printer; 1700 pieces on roll; stretchable 5 - 5.2 mm; plain; snap-on type; white



Item No.: 248-501

Mini-WSB marking card; as card; not stretchable; plain; snap-on type; white



Item No.: 793-5501

WMB marking card; as card; for terminal block width 5 - 17.5 mm; stretchable 5 - 5.2 mm; plain; snap-on type; white



Item No.: 793-501

WMB marking card; as card; not stretchable; plain; snap-on type; white



Item No.: 2009-115

WMB-Inline; for Smart Printer; 1500 pieces on roll; stretchable 5 - 5.2 mm; plain; snap-on type; white

1.1.3.2 Marking strip



Item No.: 709-196

Marking strips; for laser printer; translucent



Item No.: 210-831

Marking strips; on reel; 2.3 mm wide; plain; Self-adhesive; white



Item No.: 210-832

Marking strips; on reel; 3 mm wide; plain; Self-adhesive; white



Item No.: 709-177

Marking strips; on reel; 7.5 mm wide; not stretchable; plain; snap-on type; translucent



Item No.: 709-178

Marking strips; on reel; 7.5 mm wide; not stretchable; plain; snap-on type; white

1.1.4 Strain relief

1.1.4.1 Gripping plate



Item No.: 2092-1601/002-000

Gripping plate with sliding connector release; for female and male connectors; 2 parts; Pin spacing 5 mm; 3- to 4-pole; light gray



Item No.: 2092-1602/002-000

Gripping plate with sliding connector release; for female and male connectors; 2 parts; Pin spacing 5 mm; light gray

1.1.5 Tool

1.1.5.1 Coding



[Item No.: 2092-1610](#)

Coding key carrier; orange

1.1.5.2 Operating tool



[Item No.: 210-720](#)

Operating tool; Blade: 3.5 x 0.5 mm; with a partially insulated shaft; multicoloured



[Item No.: 210-721](#)

Operating tool; Blade: 5.5 x 0.8 mm; with a partially insulated shaft; multicoloured