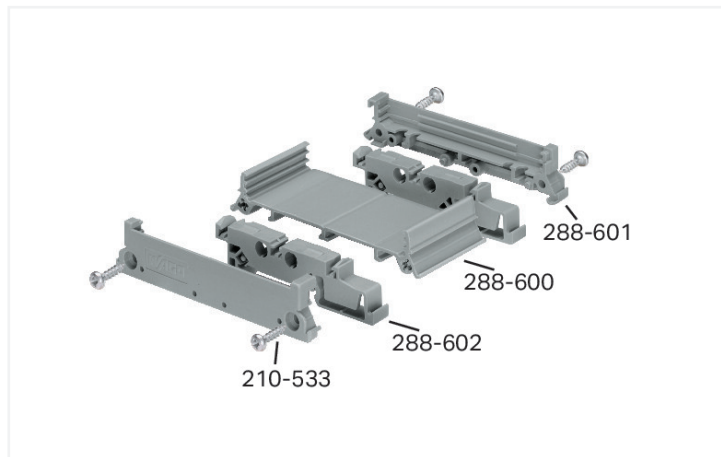
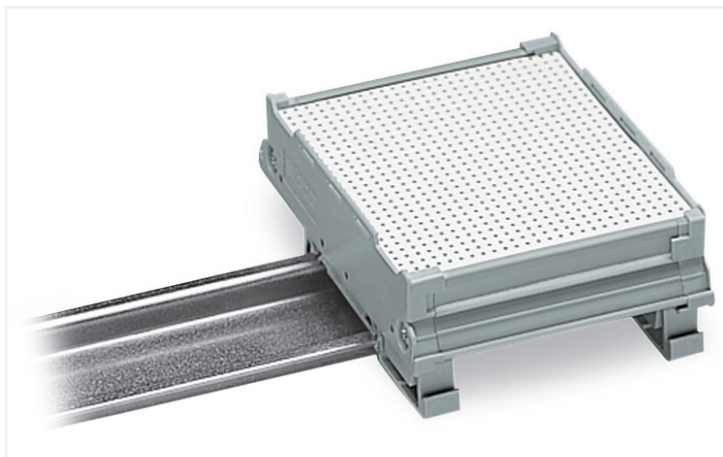


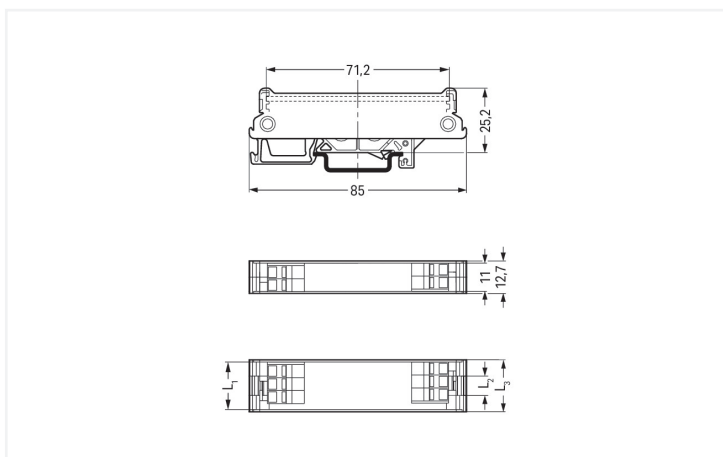
**Data Sheet | Item Number: 288-601**  
 Lateral cover; Size 1; small; 6.35 mm thick; gray  
<https://www.wago.com/288-601>



Color: ■ gray

Similar to illustration

DIN-rail-mount PCB carrier, size 1



Dimensions in mm

L1 = PCB length

L2 = L1 - 11 mm (L2 = carrier base length)

L3 = L1 + 2 mm

DIN-rail mount PCB carrier, size 1 – lateral cover, size 1; small; 6.35 mm thick

### Physical data

Width	6.35 mm / 0.25 inches
Height	85 mm / 3.346 inches

### Mechanical data

Mounting type	DIN-35 rail
---------------	-------------

Material data	
Color	gray
Fire load	0.169 MJ
Weight	3.3 g

Commercial data	
Product Group	6 (INTERFACE ELECTRONIC)
eCl@ss 10.0	27-18-27-02
eCl@ss 9.0	27-18-27-02
ETIM 8.0	EC001031
ETIM 7.0	EC001031
PU (SPU)	24 (1) pcs
Packaging type	Box
Country of origin	DE
GTIN	4017332612180
Customs tariff number	39269097900

Environmental Product Compliance	
RoHS Compliance Status	Compliant, No Exemption

## Downloads

### Environmental Product Compliance

Compliance Search	
Environmental Product Compliance 288-601	<a href="#">↓</a>

### CAD/CAE-Data

CAD data	
2D/3D Models 288-601	<a href="#">↓</a>

CAE data	
WSCAD Universe 288-601	<a href="#">↓</a>
ZUKEN Portal 288-601	<a href="#">↓</a>

## 1 Compatible Products

### 1.1 Optional Accessories

#### 1.1.1 Installation

##### 1.1.1.1 Mounting accessories



<p><b>Item No.: 210-533</b> Phillips screw 2.9 x 13</p>
---

### 1.1.1.2 Mounting carrier and mounting feet



Item No.: 288-602

Fixing foot for DIN 35 rail; gray

Item No.: 288-600

Track section; Size 1; 1 m long; gray