



Extract from the online catalog

ME 22,5 UT TBUS KMGY

Order No.: 2869524

The illustration shows version ME 22,5 UT TBUS GN with various different housing upper parts and DIN rail bus connector plugged in



<http://eshop.phoenixcontact.de/phoenix/treeViewClick.do?UID=2869524>

Lower housing part with vents, design width 22.5 mm, fully assembled, without bus connector

Commercial data	
EAN	4017918937010
Pack	10 pcs.
Customs tariff	85472000
Weight/Piece	0.04704 KG
Catalog page information	Page 579 (CC-2009)

Product notes

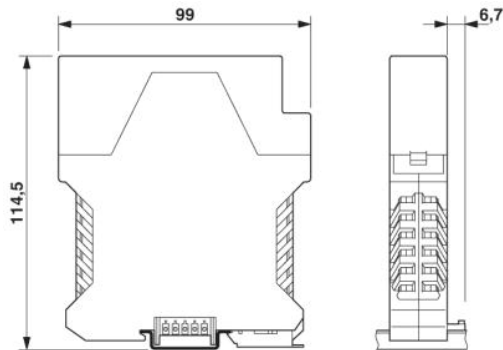
WEEE/RoHS-compliant since:
04/01/2005



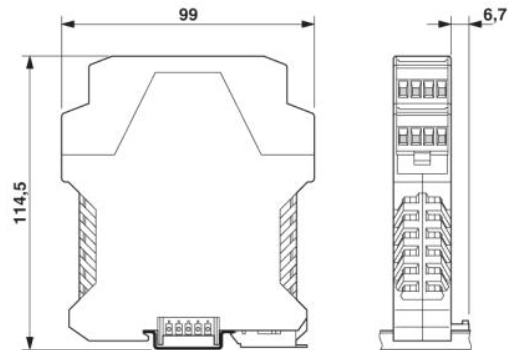
<http://www.download.phoenixcontact.com>
Please note that the data given here has been taken from the online catalog. For comprehensive information and data, please refer to the user documentation. The General Terms and Conditions of Use apply to Internet downloads.

Drawings

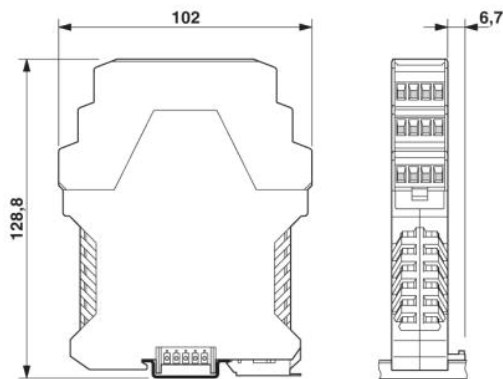
Dimensioned drawing



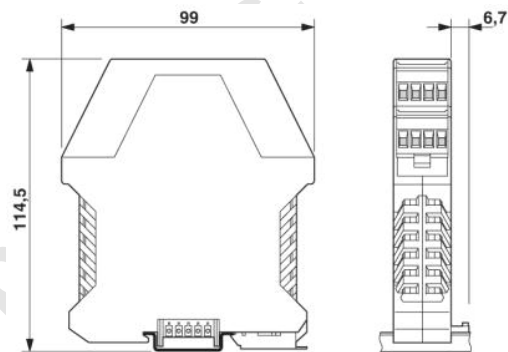
Dimensions of the electronic housing
ME...TBUS... with single-level upper part



Dimensions of the electronic housing
ME...TBUS... with double-level upper part

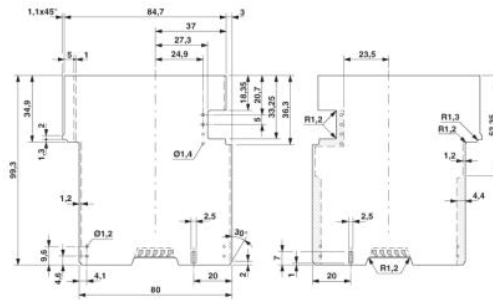
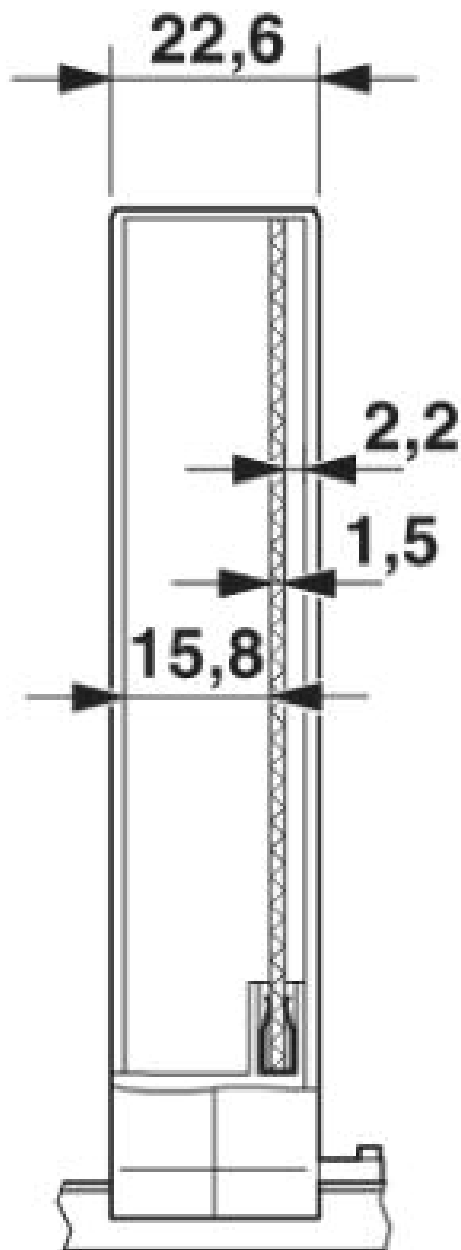


Dimensions of the electronic housing
ME...TBUS... with triple-level upper part



Dimensions of the electronic housing
ME...TBUS... with double-level upper part

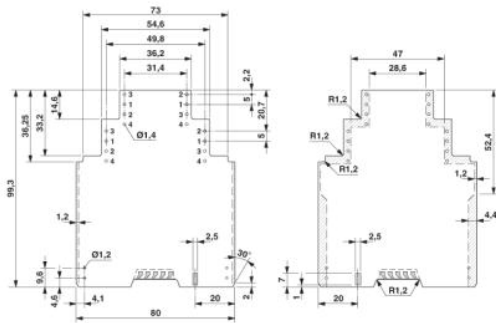
ME 22,5 UT TBUS KMGY Order No.: 2869524
<http://eshop.phoenixcontact.de/phoenix/treeViewClick.do?UID=2869524>



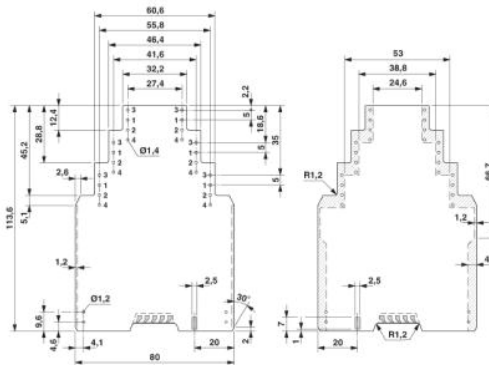
Dimensional drawing of the ME.../TBUS printed circuit board if the single level upper part is used

Internal housing dimensions, electronics housing ME 22.5 TBUS...

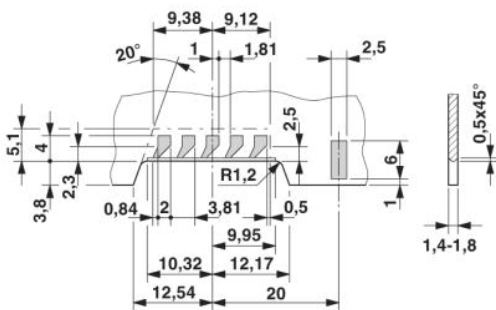
ME 22,5 UT TBUS KMGY Order No.: 2869524
<http://eshop.phoenixcontact.de/phoenix/treeViewClick.do?UID=2869524>



Dimensional drawing of the ME.../TBUS printed circuit board if the double level upper part is used



Dimensional drawing of the ME.../TBUS... printed circuit board if the triple-level upper part is used



Detailed dimensional drawing of the DIN rail connector contact pads

ME 22,5 UT TBUS KMGY Order No.: 2869524
<http://eshop.phoenixcontact.de/phoenix/treeViewClick.do?UID=2869524>

Address

PHOENIX CONTACT Deutschland GmbH
Flachmarktstr. 8
32825 Blomberg, Germany
Phone +49 5235 3 12000
Fax +49 5235 3 41200
<http://www.phoenixcontact.de>



© 2010 Phoenix Contact
Technical modifications reserved;

onlinecomponents.com