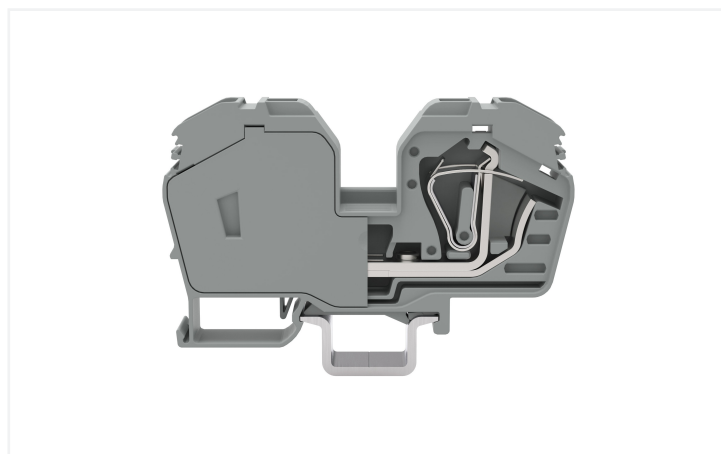
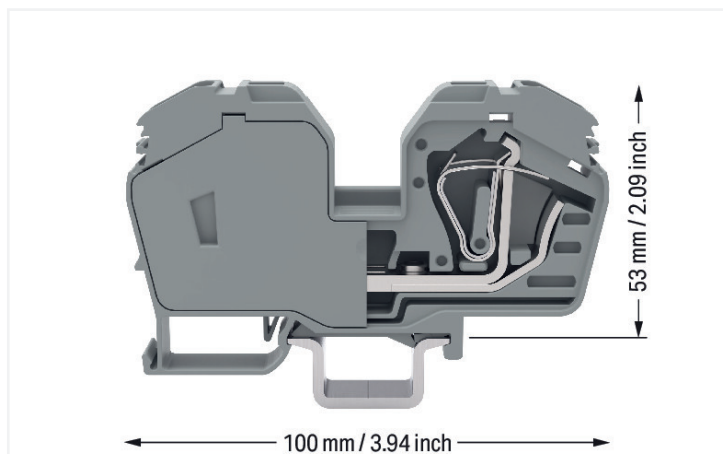


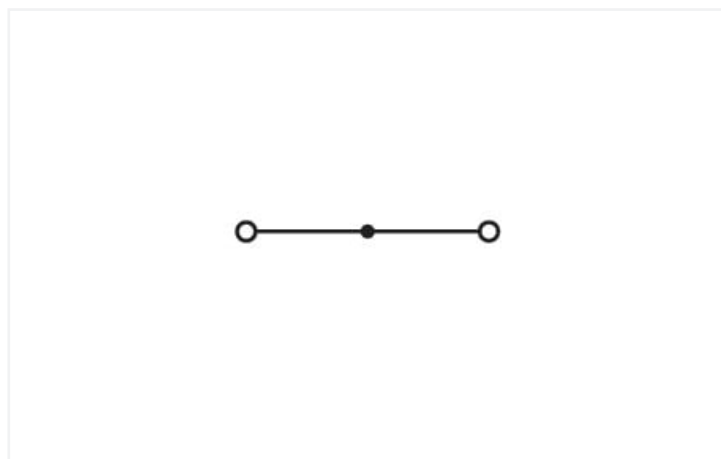
## Data Sheet | Item Number: 285-635

2-conductor through terminal block; 35 mm<sup>2</sup>; with integrated end plate; side and center marking; only for DIN 35 x 15 rail; CAGE CLAMP®; 35,00 mm<sup>2</sup>; gray

<https://www.wago.com/285-635>



Color: ■ gray



Similar to illustration

### Electrical data

| Ratings per          | IEC/EN 60947-7-1 |     |    |
|----------------------|------------------|-----|----|
| Overvoltage category | III              | III | II |
| Pollution degree     | 3                | 2   | 2  |
| Nominal voltage      | 1000 V           | -   | -  |
| Rated surge voltage  | 12 kV            | -   | -  |
| Rated current        | 125 A            | -   | -  |

### Ratings per IEC/EN 2

|                               |        |
|-------------------------------|--------|
| Rated voltage (III/3) 2       | 1500 V |
| Rated surge voltage (III/3) 2 | 12 kV  |

### Power Loss

|  |                  |
|--|------------------|
| Power loss, per pole (potential)                             | 4.0625 W         |
| Rated current $I_N$ for specified power loss                 | 125 A            |
| Resistance value for specified, current-dependent power loss | 0.00026 $\Omega$ |

### Connection data

|                            |   |
|----------------------------|---|
| Clamping units             | 2 |
| Total number of potentials | 1 |
| Number of levels           | 1 |

### Connection 1

|                                 |   |
|---------------------------------|---|
| Connection technology           | CAGE CLAMP®                             |
| Actuation type                  | Operating tool                          |
| Connectable conductor materials | Copper                                  |
| Nominal cross-section           | 35 mm <sup>2</sup>                      |
| Solid conductor                 | 6 ... 35 mm <sup>2</sup> / 10 ... 2 AWG |
| Fine-stranded conductor         | 6 ... 35 mm <sup>2</sup> / 10 ... 2 AWG |
| Strip length                    | 23 mm / 0.91 inches                     |
| Wiring direction                | Front-entry wiring                      |

### Physical data

|                                   |                       |
|-----------------------------------|-----------------------|
| Width                             | 16 mm / 0.63 inches   |
| Height                            | 100 mm / 3.937 inches |
| Depth from upper-edge of DIN-rail | 53 mm / 2.087 inches  |

### Mechanical data

|                 |                                    |
|-----------------|------------------------------------|
| Mounting type   | DIN-35 rail                        |
| Mounting (note) | only suitable for DIN 35 x 15 rail |
| Marking level   | Center/side marking                |

### Material data

|                                    |  |
|------------------------------------|--|
| Note (material data)               | <a href="#">Information on material specifications can be found here</a> |
| Color                              | gray   |
| Material group                     | I  |
| Insulation material (main housing) | Polyamide (PA66)   |
| Flammability class per UL94        | V0   |
| Fire load                          | 1.078 MJ   |
| Weight                             | 87.3 g   |

### Environmental requirements

|                                  |                 |
|----------------------------------|-----------------|
| Processing temperature           | -35 ... +85 °C  |
| Continuous operating temperature | -60 ... +105 °C |

### Commercial data

|                       |                                  |
|-----------------------|----------------------------------|
| Product Group         | 1 (Rail Mounted Terminal Blocks) |
| eCl@ss 10.0           | 27-14-11-20                      |
| eCl@ss 9.0            | 27-14-11-20                      |
| ETIM 9.0              | EC000897                         |
| ETIM 8.0              | EC000897                         |
| PU (SPU)              | 15 pcs                           |
| Packaging type        | Box                              |
| Country of origin     | PL                               |
| GTIN                  | 4045454218713                    |
| Customs tariff number | 85369010000                      |

| Environmental Product Compliance |                         |
|----------------------------------|-------------------------|
| RoHS Compliance Status           | Compliant, No Exemption |

### Approvals / Certificates

#### General approvals



| Approval                              | Standard      | Certificate Name |
|---------------------------------------|---------------|------------------|
| CCA<br>DEKRA Certification B.V.       | EN 60947      | NTR NL-7707      |
| CSA<br>DEKRA Certification B.V.       | C22.2 No. 158 | 154112           |
| CSA<br>DEKRA Certification B.V.       | C22.2         | 154112           |
| KEMA/KEUR<br>DEKRA Certification B.V. | EN 60947      | 71-105562        |
| UL<br>Underwriters Laboratories Inc.  | UL 1059       | E45172           |

#### Declarations of conformity and manufacturer's declarations

| Approval   | Standard | Certificate Name |
|--|----------|------------------|
| EU-Declaration of Conformity<br>WAGO GmbH & Co. KG | -        | -                |
| UK-Declaration of Conformity<br>WAGO GmbH & Co. KG | -        | -                |

#### Approvals for marine applications



| Approval   | Standard | Certificate Name |
|--|----------|------------------|
| ABS<br>American Bureau of Shipping               | EN 60947 | 20-HG1941090-PDA |
| BV<br>Bureau Veritas S.A.                        | EN 60947 | 07436/F0 BV      |
| DNV GL<br>Det Norske Veritas, Germanischer Lloyd | -        | TAE00001V2       |
| LR<br>Lloyds Register                            | EN 60947 | 91/20112 (E9)    |

### Downloads

#### Environmental Product Compliance

| Compliance Search                        |
|--|
| Environmental Product Compliance 285-635 |

**Documentation**

| Additional Information |                   | Bid Text |         |            |                 |   |
|------------------------|-------------------|----------|---------|------------|-----------------|---|
| Technical Section      | pdf<br>2246.92 KB | ↓        | 285-635 | 19.02.2019 | xml<br>3.27 KB  | ↓ |
|                        |                   |          | 285-635 | 28.02.2017 | doc<br>23.50 KB | ↓ |

**CAD/CAE-Data**

| CAD data             | CAE data                  |
|----------------------|---------------------------|
| 2D/3D Models 285-635 | EPLAN Data Portal 285-635 |
| ↓                    | ↓                         |
|                      | WSCAD Universe 285-635    |
|                      | ↓                         |
|                      | ZUKEN Portal 285-635      |
|                      | ↓                         |

**1 Compatible Products**

**1.1 Required Accessories**

**1.1.1 Cover**

**1.1.1.1 Cover**



**Item No.: 285-401**  
 Finger guard; touchproof cover protects unused conductor entries; for 35 mm<sup>2</sup> high-current tbs; yellow

**1.1.2 Jumper**

**1.1.2.1 Jumper**



**Item No.: 285-435**  
 Jumper; insulated; gray



**Item No.: 283-414**  
 Step-down jumper; from 283 to 281 series; insulated; gray

**1.1.3 Power tap**

**1.1.3.1 Power tap**



**Item No.: 283-407**  
 Power tap; with 500 mm cable; for 16 mm<sup>2</sup> (283/783 Series) and 35 mm<sup>2</sup>; gray

## 1.1.4 Protective warning marker

### 1.1.4.1 Cover



**Item No.: 285-416**

Protective warning marker; for 5 terminal blocks; with high-voltage symbol, black; yellow

## 1.2 Optional Accessories

### 1.2.1 DIN-rail

#### 1.2.1.1 Mounting accessories



**Item No.: 210-198**

Copper carrier rail; 35 x 15 mm; 2.3 mm thick; 2 m long; unslotted; according to EN 60715; copper-colored



**Item No.: 210-508**

Steel carrier rail; 35 x 15 mm; 1.5 mm thick; 2 m long; slotted; galvanized; similar to EN 60715; silver-colored



**Item No.: 210-197**

Steel carrier rail; 35 x 15 mm; 1.5 mm thick; 2 m long; slotted; similar to EN 60715; silver-colored



**Item No.: 210-506**

Steel carrier rail; 35 x 15 mm; 1.5 mm thick; 2 m long; unslotted; galvanized; similar to EN 60715; silver-colored



**Item No.: 210-114**

Steel carrier rail; 35 x 15 mm; 1.5 mm thick; 2 m long; unslotted; similar to EN 60715; silver-colored



**Item No.: 210-118**

Steel carrier rail; 35 x 15 mm; 2.3 mm thick; 2 m long; unslotted; according to EN 60715; silver-colored

### 1.2.2 Ferrule

#### 1.2.2.1 Ferrule



**Item No.: 216-413**

Ferrule; Sleeve for 25 mm<sup>2</sup> / AWG 4; uninsulated; electro-tin plated; electrolytic copper; gastight crimped; acc. to DIN 46228, Part 1/08.92; silver-colored



**Item No.: 216-414**

Ferrule; Sleeve for 35 mm<sup>2</sup> / AWG 2; uninsulated; electro-tin plated; electrolytic copper; gastight crimped; acc. to DIN 46228, Part 1/08.92; silver-colored

### 1.2.3 Installation

#### 1.2.3.1 Cover



**Item No.: 709-154**

Cover; Type 2; suitable for cover carrier, type 2; 1 m long; transparent

1.2.3.3 Mounting accessories



**Item No.: 249-116**  
Screwless end stop; 6 mm wide; for DIN-rail 35 x 15 and 35 x 7.5; gray

1.2.4 Marking

1.2.4.1 Marker

**Item No.: 2009-145/000-006**  
Mini-WSB Inline; for Smart Printer; 1700 pieces on roll; stretchable 5 - 5.2 mm; plain; snap-on type; blue

**Item No.: 2009-145/000-007**  
Mini-WSB Inline; for Smart Printer; 1700 pieces on roll; stretchable 5 - 5.2 mm; plain; snap-on type; gray

**Item No.: 2009-145/000-023**  
Mini-WSB Inline; for Smart Printer; 1700 pieces on roll; stretchable 5 - 5.2 mm; plain; snap-on type; green

**Item No.: 2009-145/000-012**  
Mini-WSB Inline; for Smart Printer; 1700 pieces on roll; stretchable 5 - 5.2 mm; plain; snap-on type; orange

**Item No.: 2009-145/000-005**  
Mini-WSB Inline; for Smart Printer; 1700 pieces on roll; stretchable 5 - 5.2 mm; plain; snap-on type; red

**Item No.: 2009-145/000-024**  
Mini-WSB Inline; for Smart Printer; 1700 pieces on roll; stretchable 5 - 5.2 mm; plain; snap-on type; violet

**Item No.: 2009-145**  
Mini-WSB Inline; for Smart Printer; 1700 pieces on roll; stretchable 5 - 5.2 mm; plain; snap-on type; white

**Item No.: 2009-145/000-002**  
Mini-WSB Inline; for Smart Printer; 1700 pieces on roll; stretchable 5 - 5.2 mm; plain; snap-on type; yellow



**Item No.: 248-501/000-006**  
Mini-WSB marking card; as card; not stretchable; plain; snap-on type; blue

**Item No.: 248-501/000-007**  
Mini-WSB marking card; as card; not stretchable; plain; snap-on type; gray

**Item No.: 248-501/000-023**  
Mini-WSB marking card; as card; not stretchable; plain; snap-on type; green

**Item No.: 248-501/000-017**  
Mini-WSB marking card; as card; not stretchable; plain; snap-on type; light green



**Item No.: 248-501/000-012**  
Mini-WSB marking card; as card; not stretchable; plain; snap-on type; orange

**Item No.: 248-501/000-005**  
Mini-WSB marking card; as card; not stretchable; plain; snap-on type; red

**Item No.: 248-501/000-024**  
Mini-WSB marking card; as card; not stretchable; plain; snap-on type; violet

**Item No.: 248-501**  
Mini-WSB marking card; as card; not stretchable; plain; snap-on type; white



**Item No.: 248-501/000-002**  
Mini-WSB marking card; as card; not stretchable; plain; snap-on type; yellow

**Item No.: 793-5501/000-006**  
WMB marking card; as card; for terminal block width 5 - 17.5 mm; stretchable 5 - 5.2 mm; plain; snap-on type; blue

**Item No.: 793-5501/000-007**  
WMB marking card; as card; for terminal block width 5 - 17.5 mm; stretchable 5 - 5.2 mm; plain; snap-on type; gray

**Item No.: 793-5501/000-023**  
WMB marking card; as card; for terminal block width 5 - 17.5 mm; stretchable 5 - 5.2 mm; plain; snap-on type; green



**Item No.: 793-5501/000-017**  
WMB marking card; as card; for terminal block width 5 - 17.5 mm; stretchable 5 - 5.2 mm; plain; snap-on type; light green

**Item No.: 793-5501/000-012**  
WMB marking card; as card; for terminal block width 5 - 17.5 mm; stretchable 5 - 5.2 mm; plain; snap-on type; orange

**Item No.: 793-5501/000-005**  
WMB marking card; as card; for terminal block width 5 - 17.5 mm; stretchable 5 - 5.2 mm; plain; snap-on type; red

**Item No.: 793-5501/000-024**  
WMB marking card; as card; for terminal block width 5 - 17.5 mm; stretchable 5 - 5.2 mm; plain; snap-on type; violet



**Item No.: 793-5501**  
WMB marking card; as card; for terminal block width 5 - 17.5 mm; stretchable 5 - 5.2 mm; plain; snap-on type; white

**Item No.: 793-5501/000-002**  
WMB marking card; as card; for terminal block width 5 - 17.5 mm; stretchable 5 - 5.2 mm; plain; snap-on type; yellow

**Item No.: 793-501/000-006**  
WMB marking card; as card; not stretchable; plain; snap-on type; blue

**Item No.: 793-501/000-007**  
WMB marking card; as card; not stretchable; plain; snap-on type; gray



**Item No.: 793-501/000-023**  
WMB marking card; as card; not stretchable; plain; snap-on type; green

**Item No.: 793-501/000-017**  
WMB marking card; as card; not stretchable; plain; snap-on type; light green

**Item No.: 793-501/000-012**  
WMB marking card; as card; not stretchable; plain; snap-on type; orange

**Item No.: 793-501/000-005**  
WMB marking card; as card; not stretchable; plain; snap-on type; red



**Item No.: 793-501/000-024**  
WMB marking card; as card; not stretchable; plain; snap-on type; violet

**Item No.: 793-501**  
WMB marking card; as card; not stretchable; plain; snap-on type; white

**Item No.: 793-501/000-002**  
WMB marking card; as card; not stretchable; plain; snap-on type; yellow

**Item No.: 2009-115/000-006**  
WMB-Inline; for Smart Printer; 1500 pieces on roll; stretchable 5 - 5.2 mm; plain; snap-on type; blue



**Item No.: 2009-115/000-007**  
WMB-Inline; for Smart Printer; 1500 pieces on roll; stretchable 5 - 5.2 mm; plain; snap-on type; gray

**Item No.: 2009-115/000-023**  
WMB-Inline; for Smart Printer; 1500 pieces on roll; stretchable 5 - 5.2 mm; plain; snap-on type; green

**Item No.: 2009-115/000-017**  
WMB-Inline; for Smart Printer; 1500 pieces on roll; stretchable 5 - 5.2 mm; plain; snap-on type; light green

**Item No.: 2009-115/000-012**  
WMB-Inline; for Smart Printer; 1500 pieces on roll; stretchable 5 - 5.2 mm; plain; snap-on type; orange

### 1.2.4.1 Marker



**Item No.: 2009-115/000-024**

WMB-Inline; for Smart Printer; 1500 pieces on roll; stretchable 5 - 5.2 mm; plain; snap-on type; violet

**Item No.: 2009-115**

WMB-Inline; for Smart Printer; 1500 pieces on roll; stretchable 5 - 5.2 mm; plain; snap-on type; white

**Item No.: 2009-115/000-002**

WMB-Inline; for Smart Printer; 1500 pieces on roll; stretchable 5 - 5.2 mm; plain; snap-on type; yellow

### 1.2.4.2 Marker carrier



**Item No.: 2009-198**

Adaptor; gray

### 1.2.5 Tool

#### 1.2.5.1 Operating tool



**Item No.: 210-721**

Operating tool; Blade: 5.5 x 0.8 mm; with a partially insulated shaft; multicoloured

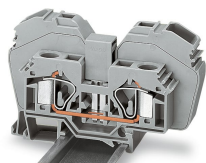
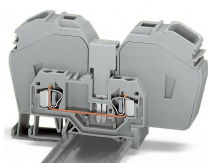
## Installation Notes

### Conductor termination



Terminating a 35 mm<sup>2</sup> (2 AWG) conductor.

### Commoning

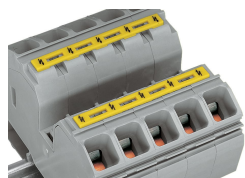


Commoning with step-down jumper (283-414) from 285 Series (35 mm<sup>2</sup>/2 AWG) to 281 Series terminal blocks (4 mm<sup>2</sup>/12 AWG).

The following 285 Series Through Terminal Blocks can be commoned with 283 Series Through Terminal Blocks: 285-635 or 285-634 with 283-601 or 283-604 (terminal blocks with side marking, visit [www.wagocatalog.com](http://www.wagocatalog.com))  
Adjacent jumper required: 285-435

Please note that the nominal current of the adjacent jumper must not exceed 63 A.

## Cover

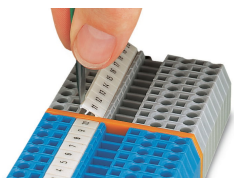


Protective warning markers inserted into the operating slots



Finger guard seals an unused conductor entry.

## Marking



Labeling via WMB Multi Marking System.