

284844-2 ✓ ACTIVE

AMP | AMP MCP 1.5K, AMP MCP 2.8, AMP MCP Connector System

TE Internal #: 284844-2

Housing for Male Terminals, Wire-to-Wire, 12 Position, .196 in [5 mm] Centerline, Sealable, Gray, Wire & Cable, Power & Signal, Hybrid

[View on TE.com >](#)



Connectors > Automotive Connectors > Automotive Housings > AMP MCP, SEALED CONNECTOR HOUSING



Connector & Housing Type: **Housing for Male Terminals**

Connector System: **Wire-to-Wire**

Number of Positions: **12**

Centerline (Pitch): **5 mm [.196 in]**

Sealable: **Yes**

[All AMP MCP, SEALED CONNECTOR HOUSING \(158\)](#)

Features

Product Type Features

Connector Shape	Rectangular
Connector & Housing Type	Housing for Male Terminals
Connector System	Wire-to-Wire
Sealable	Yes
Hybrid Connector	Yes
Primary Locking Feature	On the Terminal
Connector & Contact Terminates To	Wire & Cable

Configuration Features

Number of Positions	12
Number of Rows	2

Electrical Characteristics

Operating Voltage	24 VDC
Nominal Voltage Architecture	12 V, 24 V

Body Features

Cable Exit Angle	180°
Primary Product Color	Gray



Contact Features

Contact Size	1.5mm, 2.8mm
Contact Type	Tab
Contact Current Rating (Max)	11 A, 20 A

Mechanical Attachment

Terminal Position Assurance	Yes
Strain Relief	Without
Mating Alignment Type	Polarizing Rib
Mating Alignment	With
Connector Mounting Type	Cable Mount (Free-Hanging)

Housing Features

Housing Material	PA GF
Centerline (Pitch)	5 mm [.196 in]

Dimensions

Connector Height	49.4 mm [1.945 in]
Product Width	21.5 mm [.846 in]
Product Length	41.4 mm [1.63 in]
Row-to-Row Spacing	4.8 mm [.189 in]

Usage Conditions

Operating Temperature (Max)	70 °C, 75 °C, 80 °C, 85 °C, 90 °C, 100 °C, 105 °C, 110 °C, 120 °C, 125 °C [158 °F][167 °F][176 °F][185 °F][194 °F][212 °F][221 °F][230 °F][248 °F][257 °F]
Operating Temperature Range	-25 – 125 °C [-13 – 257 °F]

Operation/Application

Circuit Application	Power & Signal
---------------------	----------------

Packaging Features

Packaging Quantity	500
Packaging Method	Bag

Other

Serviceable	No
Connector Position Assurance Capable	No

Product Compliance



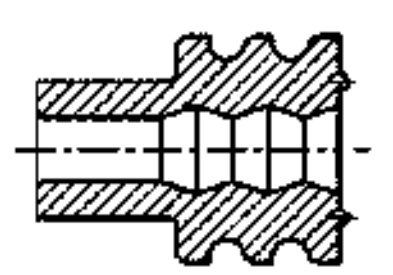

[For compliance documentation, visit the product page on TE.com>](#)

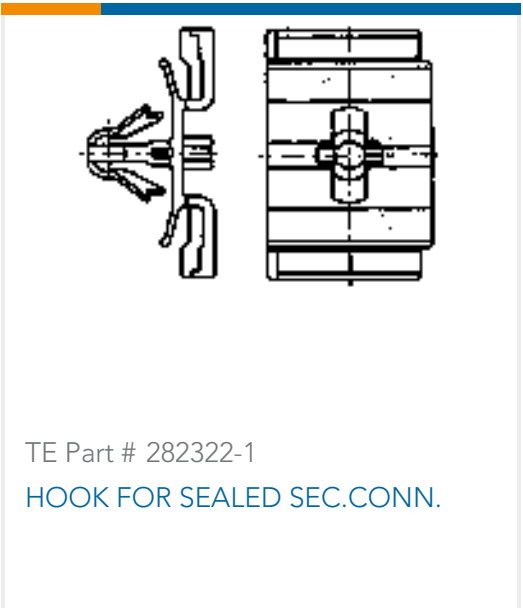
EU RoHS Directive 2011/65/EU	Compliant
EU ELV Directive 2000/53/EC	Compliant
China RoHS 2 Directive MIIT Order No 32, 2016	No Restricted Materials Above Threshold
EU REACH Regulation (EC) No. 1907/2006	Current ECHA Candidate List: JUNE 2022 (224) Candidate List Declared Against: JUNE 2022 (224) Does not contain REACH SVHC
Halogen Content	Low Halogen - Br, Cl, F, I < 900 ppm per homogenous material. Also BFR/CFR/PVC Free
Solder Process Capability	Not applicable for solder process capability

Product Compliance Disclaimer

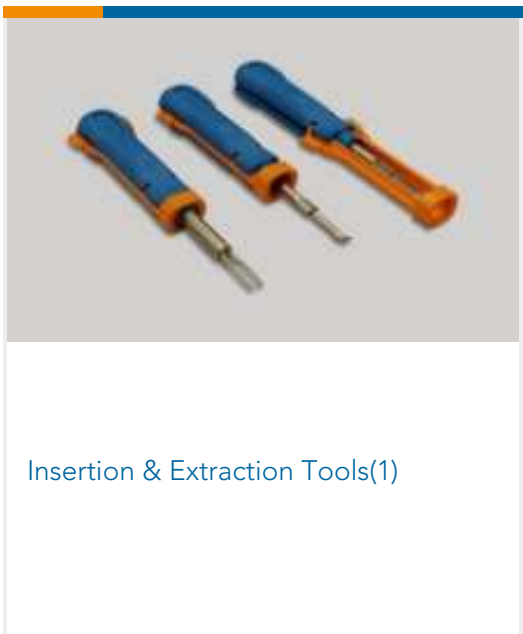
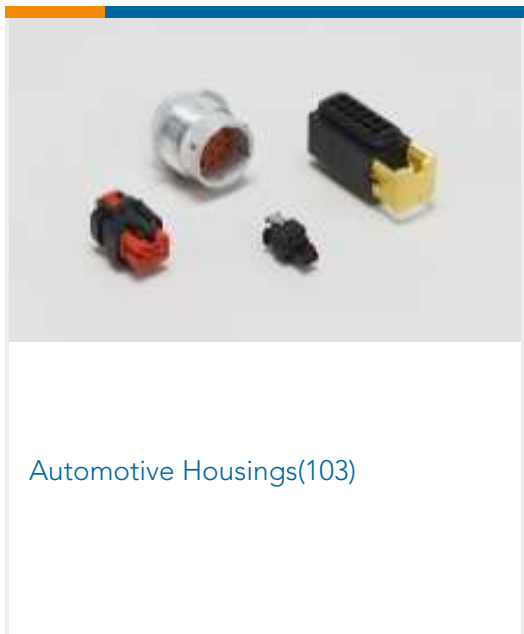
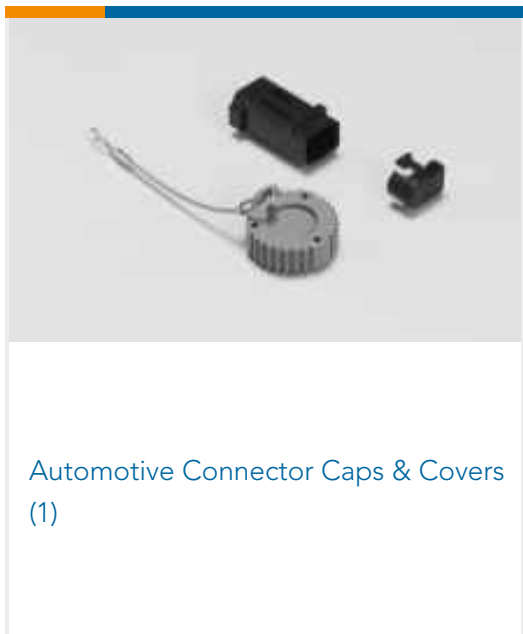
This information is provided based on reasonable inquiry of our suppliers and represents our current actual knowledge based on the information they provided. This information is subject to change. The part numbers that TE has identified as EU RoHS compliant have a maximum concentration of 0.1% by weight in homogenous materials for lead, hexavalent chromium, mercury, PBB, PBDE, DBP, BBP, DEHP, DIBP, and 0.01% for cadmium, or qualify for an exemption to these limits as defined in the Annexes of Directive 2011/65/EU (RoHS2). Finished electrical and electronic equipment products will be CE marked as required by Directive 2011/65/EU. Components may not be CE marked. Additionally, the part numbers that TE has identified as EU ELV compliant have a maximum concentration of 0.1% by weight in homogenous materials for lead, hexavalent chromium, and mercury, and 0.01% for cadmium, or qualify for an exemption to these limits as defined in the Annexes of Directive 2000/53/EC (ELV). Regarding the REACH Regulation, the information TE provides on SVHC in articles for this part number is based on the latest European Chemicals Agency (ECHA) 'Guidance on requirements for substances in articles' posted at this URL: <https://echa.europa.eu/guidance-documents/guidance-on-reach>

Compatible Parts

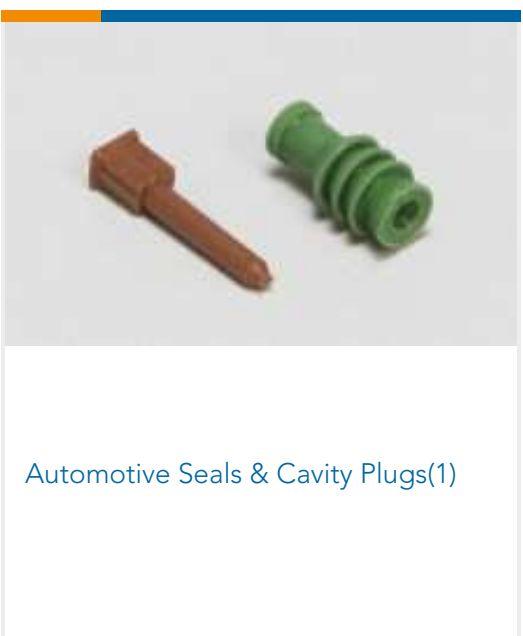
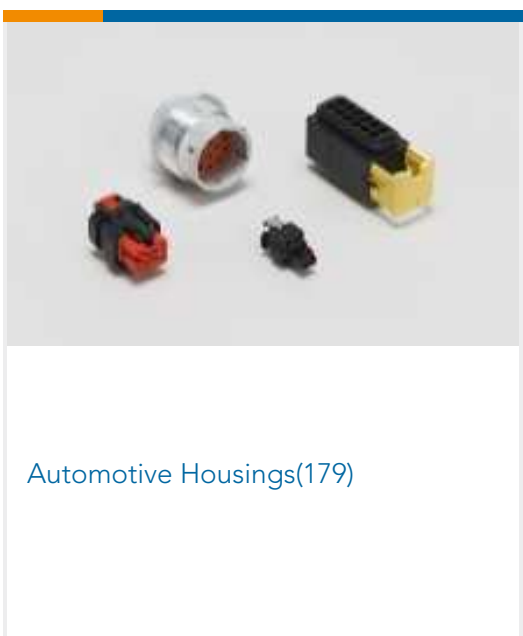
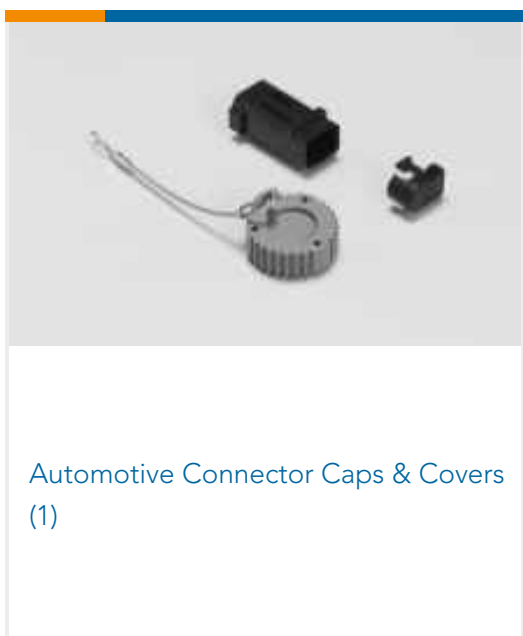
 <p>TE Part # 828922-1 2,5MM CAVITY PLUG FOR 5,4MM DI</p>	 <p>TE Part # 963293-1 SEALING F JPT+2,8</p>	 <p>TE Part # 963292-1 WIRE SEALING 2,2</p>	 <p>TE Part # 828906-2 BLINDSTOPFEN 1,5SYS</p>
--	---	--	---



Also in the Series | **AMP MCP 1.5K**



Also in the Series | **AMP MCP 2.8**





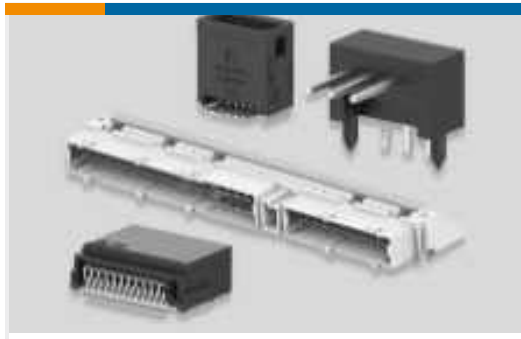
Automotive Terminals(6)



Insertion & Extraction Tools(6)



Module Components(1)



PCB Headers & Receptacles(1)

Also in the Series | AMP MCP Connector System



Automotive Connector Caps & Covers (24)



Automotive Connector Locks & Position Assurance(7)



Automotive Housings(352)



Automotive Seals & Cavity Plugs(6)



Automotive Terminals(125)



Insertion & Extraction Tools(13)

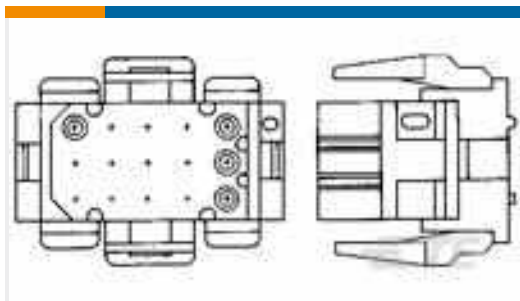


Other Automotive Connector Accessories(2)

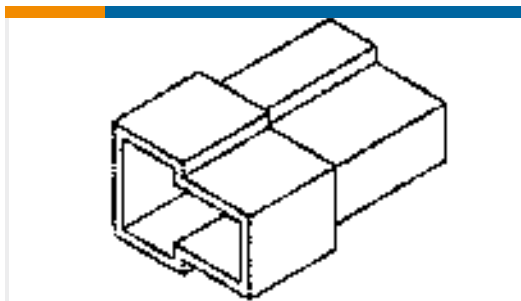


PCB Headers & Receptacles(29)

Customers Also Bought



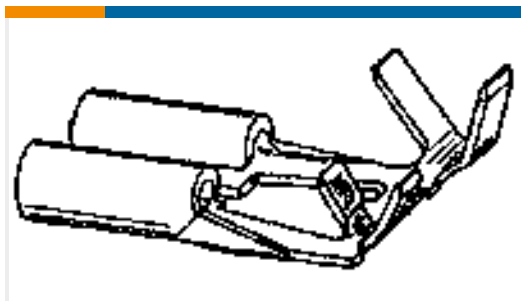
TE Part #1-640526-0
36P MR II PLUG HSG V0



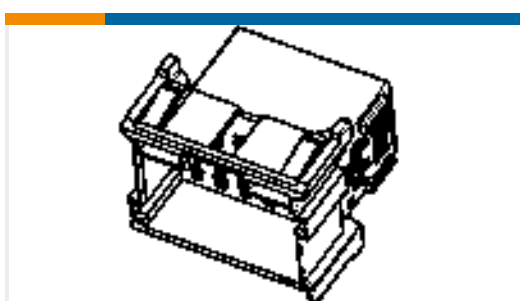
TE Part #180908-5
FF 250 TAB HSG 2P NYLON BLACK



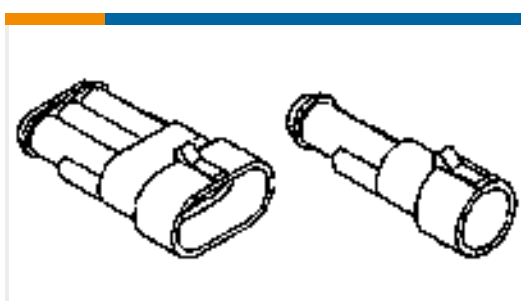
TE Part #163301-6
MATENLOK PIN



TE Part #180453-2
FF 312 REC 1-2.5MM2 TPBR



TE Part #1-965641-5
FLACHSTE-GEH2,8 6P



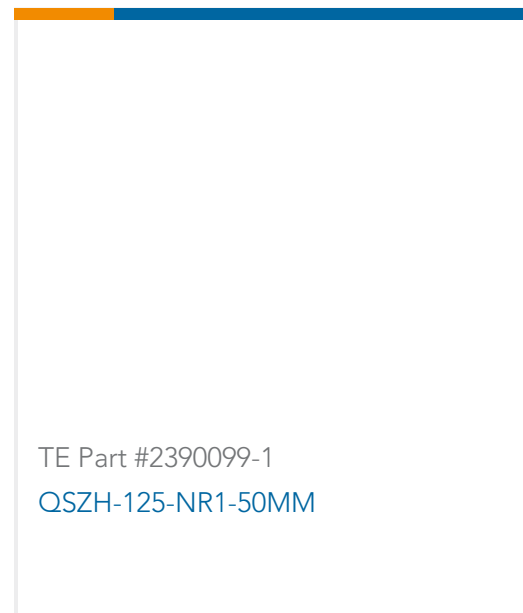
TE Part #282104-2
AMP SUPERSEAL 1.5 SERIES 2P CA



TE Part #2-1904011-2
V23234C0001X006-EV-100



TE Part #170887-1
SLEEVE DIA5 SHUR PLUG NAT



Documents

Product Drawings

12 POS MCP HYBRID MALE CONN AS

English

CAD Files

3D PDF

3D

Customer View Model

[ENG_CVM_CVM_284844-2_D.2d_dxf.zip](#)

English

Customer View Model

[ENG_CVM_CVM_284844-2_D.3d_igs.zip](#)

English

Customer View Model

[ENG_CVM_CVM_284844-2_D.3d_stp.zip](#)

English

By downloading the CAD file I accept and agree to the [Terms and Conditions](#) of use.

Product Specifications

Product Specification

English

Instruction Sheets

Instruction Sheet (non U.S.)

English