

284818-1 ✓ ACTIVE

TE Internal #: 284818-1

Housing for Female Terminals, Wire-to-Device / Wire-to-Board, 1 Position, Sealable, Black, Wire & Cable, Power, Cable Mount (Free-Hanging)

[View on TE.com >](#)



Connectors > Automotive Connectors > Automotive Housings



Connector & Housing Type: **Housing for Female Terminals**

Mating Pin Diameter: **4 mm [ .157 in ]**

Connector System: **Wire-to-Board, Wire-to-Device**

Number of Positions: **1**

Sealable: **Yes**

## Features

### Product Type Features

Connector Shape	Circular
Connector & Housing Type	Housing for Female Terminals
Connector System	Wire-to-Board, Wire-to-Device
Sealable	Yes
Hybrid Connector	No
Primary Locking Feature	On the Terminal
Connector & Contact Terminates To	Wire & Cable

### Configuration Features

Number of Positions	1
Number of Rows	1

### Electrical Characteristics

Operating Voltage	24 VDC
Nominal Voltage Architecture	12 V, 24 V

### Body Features

Cable Exit Angle	180°
Primary Product Color	Black

### Contact Features

Contact Size	4mm
--------------	-----



Contact Type	Socket
--------------	--------

Mating Pin Diameter	4 mm[.157 in]
---------------------	---------------

Contact Current Rating (Max)	20 A
------------------------------	------

### Mechanical Attachment

Terminal Position Assurance	No
-----------------------------	----

Strain Relief	Without
---------------	---------

Mating Alignment Type	Polarization Slot
-----------------------	-------------------

Mating Alignment	With
------------------	------

Connector Mounting Type	Cable Mount (Free-Hanging)
-------------------------	----------------------------

### Housing Features

Housing Material	PA GF
------------------	-------

### Dimensions

Connector Height	45 mm[1.772 in]
------------------	-----------------

Product Width	13.2 mm[.52 in]
---------------	-----------------

Product Length	13.2 mm[1.685 in]
----------------	-------------------

### Usage Conditions

Operating Temperature (Max)	70 °C, 75 °C, 80 °C, 85 °C, 90 °C, 100 °C, 105 °C, 110 °C, 120 °C, 125 °C, 130 °C, 140 °C, 145 °C, 150 °C[158 °F][167 °F][176 °F][185 °F][194 °F][212 °F][221 °F][230 °F][248 °F][257 °F][266 °F][284 °F][293 °F][302 °F]
-----------------------------	---

Operating Temperature Range	-40 – 150 °C[-40 – 302 °F]
-----------------------------	----------------------------

### Operation/Application

Circuit Application	Power
---------------------	-------

### Packaging Features

Packaging Quantity	4500
--------------------	------

Packaging Method	Box & Carton
------------------	--------------

### Other

Serviceable	Yes
-------------	-----

Connector Position Assurance Capable	No
--------------------------------------	----

### Product Compliance

[For compliance documentation, visit the product page on TE.com>](#)

EU RoHS Directive 2011/65/EU	Compliant
EU ELV Directive 2000/53/EC	Compliant
China RoHS 2 Directive MIIT Order No 32, 2016	No Restricted Materials Above Threshold
EU REACH Regulation (EC) No. 1907/2006	Current ECHA Candidate List: JUNE 2022 (224) Candidate List Declared Against: JUNE 2022 (224) Does not contain REACH SVHC
Halogen Content	Low Halogen - Br, Cl, F, I < 900 ppm per homogenous material. Also BFR/CFR/PVC Free
Solder Process Capability	Not applicable for solder process capability

Product Compliance Disclaimer

This information is provided based on reasonable inquiry of our suppliers and represents our current actual knowledge based on the information they provided. This information is subject to change. The part numbers that TE has identified as EU RoHS compliant have a maximum concentration of 0.1% by weight in homogenous materials for lead, hexavalent chromium, mercury, PBB, PBDE, DBP, BBP, DEHP, DIBP, and 0.01% for cadmium, or qualify for an exemption to these limits as defined in the Annexes of Directive 2011/65/EU (RoHS2). Finished electrical and electronic equipment products will be CE marked as required by Directive 2011/65/EU. Components may not be CE marked. Additionally, the part numbers that TE has identified as EU ELV compliant have a maximum concentration of 0.1% by weight in homogenous materials for lead, hexavalent chromium, and mercury, and 0.01% for cadmium, or qualify for an exemption to these limits as defined in the Annexes of Directive 2000/53/EC (ELV). Regarding the REACH Regulation, the information TE provides on SVHC in articles for this part number is based on the latest European Chemicals Agency (ECHA) 'Guidance on requirements for substances in articles' posted at this URL: <https://echa.europa.eu/guidance-documents/guidance-on-reach>

### Compatible Parts



TE Part # 963244-1  
EINZELDRAHTDICHTUNG



TE Part # 963245-1  
EINZELLEIT-DICHTUNG



TE Part # CAT-R7602-T273  
ROUND CONNECTOR SYSTEM, PIN AND SOCKET

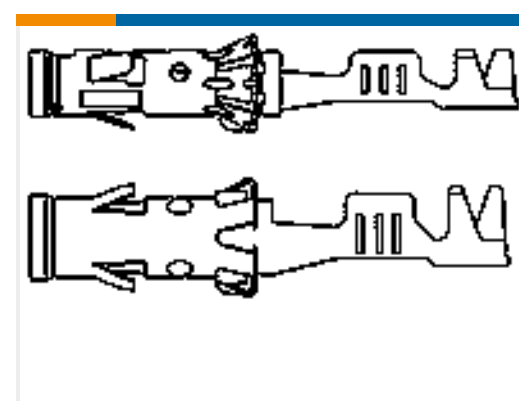
### Customers Also Bought



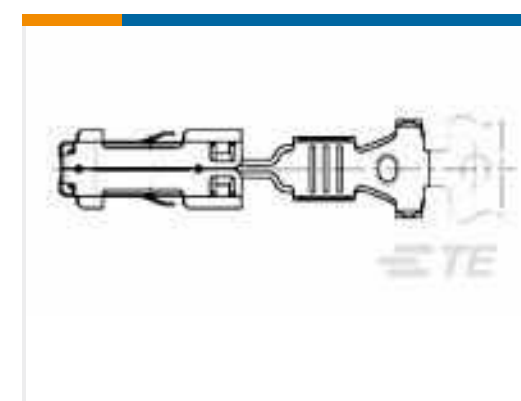
TE Part #284716-3  
6 POS REC. CONNECTOR FOR MTII



TE Part #1-1718624-2  
2 POS HSG AMP MCP 2.8 ASSY



TE Part #962954-1  
4MM BUCHS-KONTAKT



TE Part #1703034-1  
SENSOR CONTACT 2,8



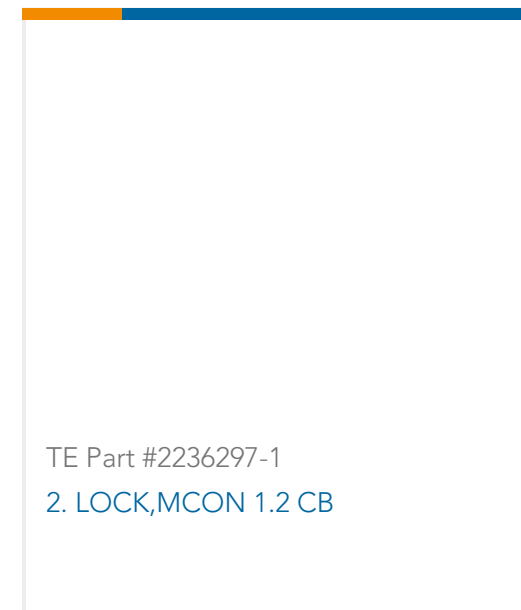
TE Part #962876-5  
TIMER, RECEPTACLE AND TAB



TE Part #1745078-2  
AMP MCP, SEALED CONNECTOR  
HOUSING



TE Part #2208822-1  
RETAINER, FOR NANOMQS



TE Part #2236297-1  
2. LOCK, MCON 1.2 CB

## Documents

### Product Drawings

#### 1 POS CANDELETTE

English

### CAD Files

#### 3D PDF

3D

#### Customer View Model

[ENG\\_CVM\\_CVM\\_284818-1\\_B.2d\\_dxf.zip](#)

English

#### Customer View Model

[ENG\\_CVM\\_CVM\\_284818-1\\_B.3d\\_igs.zip](#)

English

#### Customer View Model

[ENG\\_CVM\\_CVM\\_284818-1\\_B.3d\\_stp.zip](#)

English

By downloading the CAD file I accept and agree to the [Terms and Conditions](#) of use.

### Product Specifications

#### Product Specification

English

### Instruction Sheets

#### Instruction Sheet (non U.S.)

English