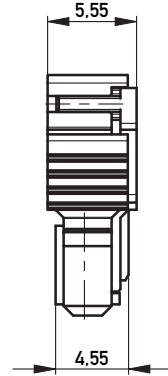
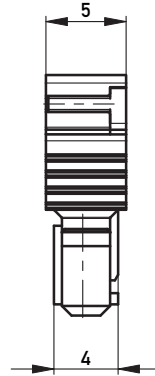


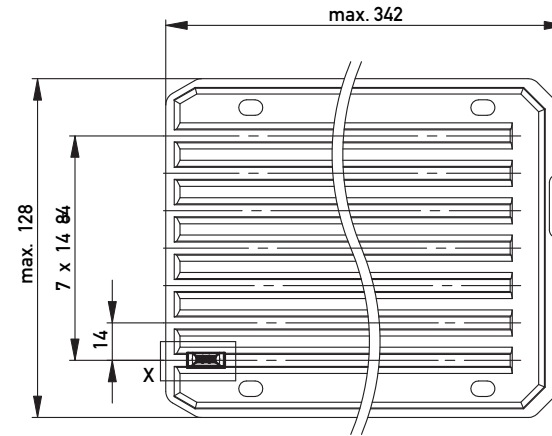
Abdeckung vorverrastet
cover loose mounted



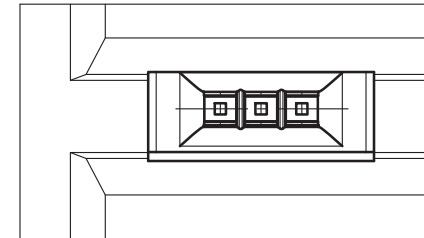
Abdeckung verpresst
cover pressed on



Verpackt in Tray - tray packaging
Verpackungseinheit 154 Stück packaging unit 154



Einzelheit X
detail X



284051		rot red	3.15	0.75	3.6	1.2	
284050		grün green	2.25	0.15	2.7	0.3	
284049		blau blue	1.35	1.05	1.8	0.6	
284048		schwarz black	0.45	1.95	0.9	1.5	
Ident-Nr. part-no.	Codierung coding	Farbe color	A	B	C	D	Bemerkung note

Copyright by ERNI GmbH
Proprietary notice pursuant to ISO 14014 to be observed

Information:		Tolerances		Scale	3:1
All rights reserved. Only for Information. To ensure that this is the latest version of this drawing, please contact one of the ERNI companies before using.		All Dimensions in mm		Designation	
Subject to modification without prior notice. Drawing will not be updated.		www.ERNI.com		F 2.54 SRC-A, 3-polig	
-		30.11.2007		224917	
Index	Date	ERNI		I A3	
				Class	SRCA