

Surge protection plug - CTM 1X2- 60DC - 2838568

Please be informed that the data shown in this PDF Document is generated from our Online Catalog. Please find the complete data in the user's documentation. Our General Terms of Use for Downloads are valid (<http://phoenixcontact.com/download>)



LSA-PLUS plug (COMTRAB CTM) with protection for conductor pairs in floating signal circuits. Nominal voltage: 60 V DC

Your advantages

- ✓ The CTM 10-MAG surge protection magazine can be freely fitted with various protective plugs
- ✓ Can be used in LSA-PLUS disconnect and control strips or CT-TERMIBLOCK
- ✓ Space-saving LSA-PLUS connection technology
- ✓ Typical installation locations include marshalling distributors
- ✓ Modular compact protection for high-density networks

RoHS


60V

IP20

IEC



Key Commercial Data

Packing unit	10 pc
GTIN	 4 017918 819736
GTIN	4017918819736

Technical data

Dimensions

Height	21 mm
Width	9.4 mm
Depth	52.4 mm

Ambient conditions

Ambient temperature (operation)	-25 °C ... 75 °C
Altitude	≤ 2000 m (amsl (above mean sea level))
Degree of protection	IP20

General

Housing material	PA 6.6
Flammability rating according to UL 94	V-0

Surge protection plug - CTM 1X2- 60DC - 2838568

Technical data

General

Color	jet black RAL 9005
Overvoltage category	II
Degree of pollution	2
Mounting type	On CT-TERMIBLOCK and LSA-PLUS disconnect strip
Type	LSA-PLUS module
Direction of action	Line-Line & Line-Earth Ground
Arrester can be tested with CHECKMASTER from software version:	From SW rev. 1.10

Protective circuit

IEC test classification	B2
	C1
	C2
	C3
	D1
Nominal voltage U_N	60 V DC
Maximum continuous voltage U_C	60 V DC
	50 V AC
Rated current	380 mA AC (25 °C)
	150 mA DC (25 °C)
Operating effective current I_C at U_C	$\leq 70 \mu A$
Residual current I_{PE}	$\leq 2 \mu A$
Nominal discharge current I_n (8/20) μs (line-line)	5 kA
Nominal discharge current I_n (8/20) μs (line-earth)	5 kA
Pulse discharge current I_{imp} (10/350) μs (line-earth)	1 kA
Total discharge current I_{total} (8/20) μs	10 kA
Total discharge current I_{total} (10/350) μs	2.5 kA
Nominal pulse current I_{an} (10/1000) μs (line-line)	100 A
Nominal pulse current I_{an} (10/1000) μs (line-earth)	100 A
Output voltage limitation at 1 kV/ μs (line-line) spike	$\leq 160 V$
Output voltage limitation at 1 kV/ μs (line-earth) spike	$\leq 700 V$
Output voltage limitation at 1 kV/ μs (line-earth) static	$\leq 700 V$
Residual voltage at I_n (line-line)	$\leq 95 V$
Residual voltage at I_n (line-earth)	$\leq 60 V$
Residual voltage with I_{an} (10/1000) μs (line-line)	$\leq 35 V$
Residual voltage with I_{an} (10/1000) μs (line-earth)	$\leq 12 V$
Voltage protection level U_p (line-line)	$\leq 200 V$ (C2 - 10 kV / 5 kA)
	$\leq 160 V$ (C3 - 100 A)
Voltage protection level U_p (line-earth)	$\leq 700 V$ (C2 - 10 kV / 5 kA)
	$\leq 700 V$ (C3 - 100 A)
Voltage protection level U_p static (line-line)	$\leq 95 V$ (C2 - 10 kV / 5 kA)

Surge protection plug - CTM 1X2- 60DC - 2838568

Technical data

Protective circuit

	≤ 35 V (C3 - 100 A)
Voltage protection level U_p static (line-earth)	≤ 90 V (C2 - 10 kV / 5 kA)
	≤ 12 V (C3 - 100 A)
Response time t_A (line-line)	≤ 1 ns
Response time t_A (line-earth)	≤ 100 ns
Input attenuation aE, sym.	typ. 0.3 dB (≤ 500 kHz / 100 Ω)
Cut-off frequency f_g (3 dB), sym. in 100 Ohm system	typ. 2 MHz
Capacity (line-line)	typ. 1.2 nF
Resistance in series	3.3 Ω 20 %
Surge protection fault message	none
Impulse durability (line-line)	B2 - 4 kV/100 A
	C2 - 10 kV/5 kA
	C3 - 100 A
Impulse durability (line-earth)	B2 - 4 kV/100 A
	C2 - 10 kV/5 kA
	C3 - 100 A
	D1 - 1 kA
Alternating current carrying capacity (line-earth)	5 A - 1 s

Connection data

Connection method	can be plugged into COMTRAB-TERMIBLOCK and LSA-PLUS disconnect and switching strips
Connection method IN	COMTRAB plug-in system
Connection method OUT	COMTRAB plug-in system
Connection technology	LSA-PLUS

Connection, equipotential bonding

Connection method	Spring contact
-------------------	----------------

Standards and Regulations

Standards/specifications	IEC 61643-21 2000 + corrigendum 2001 + A1:2008, modified + A2:2012
	EN 61643-21 2001 + A1:2009 + A2:2013

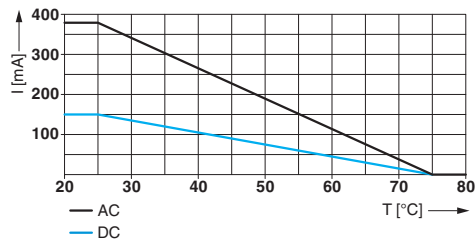
Environmental Product Compliance

REACH SVHC	Lead 7439-92-1
------------	----------------

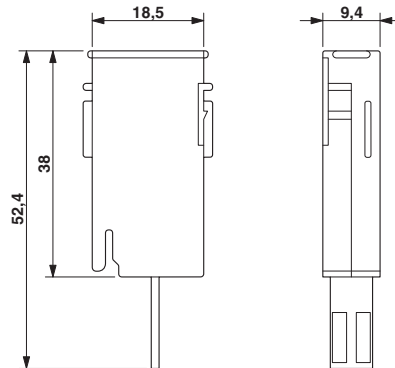
Drawings

Surge protection plug - CTM 1X2- 60DC - 2838568

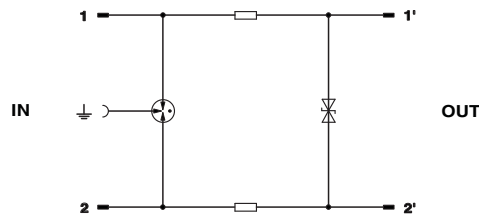
Diagram



Dimensional drawing



Circuit diagram



Approvals

Approvals

Approvals

UL Listed / EAC

Ex Approvals

Approval details

UL Listed		http://database.ul.com/cgi-bin/XYVV/template/LISEXT/1FRAME/index.htm	FILE E 138168
-----------	--	---	---------------

EAC		RU C- DE.A*30.B01561
-----	--	-------------------------

Phoenix Contact 2018 © - all rights reserved
<http://www.phoenixcontact.com>

PHOENIX CONTACT GmbH & Co. KG
Flachmarktstr. 8
32825 Blomberg
Germany
Tel. +49 5235 300
Fax +49 5235 3 41200
<http://www.phoenixcontact.com>