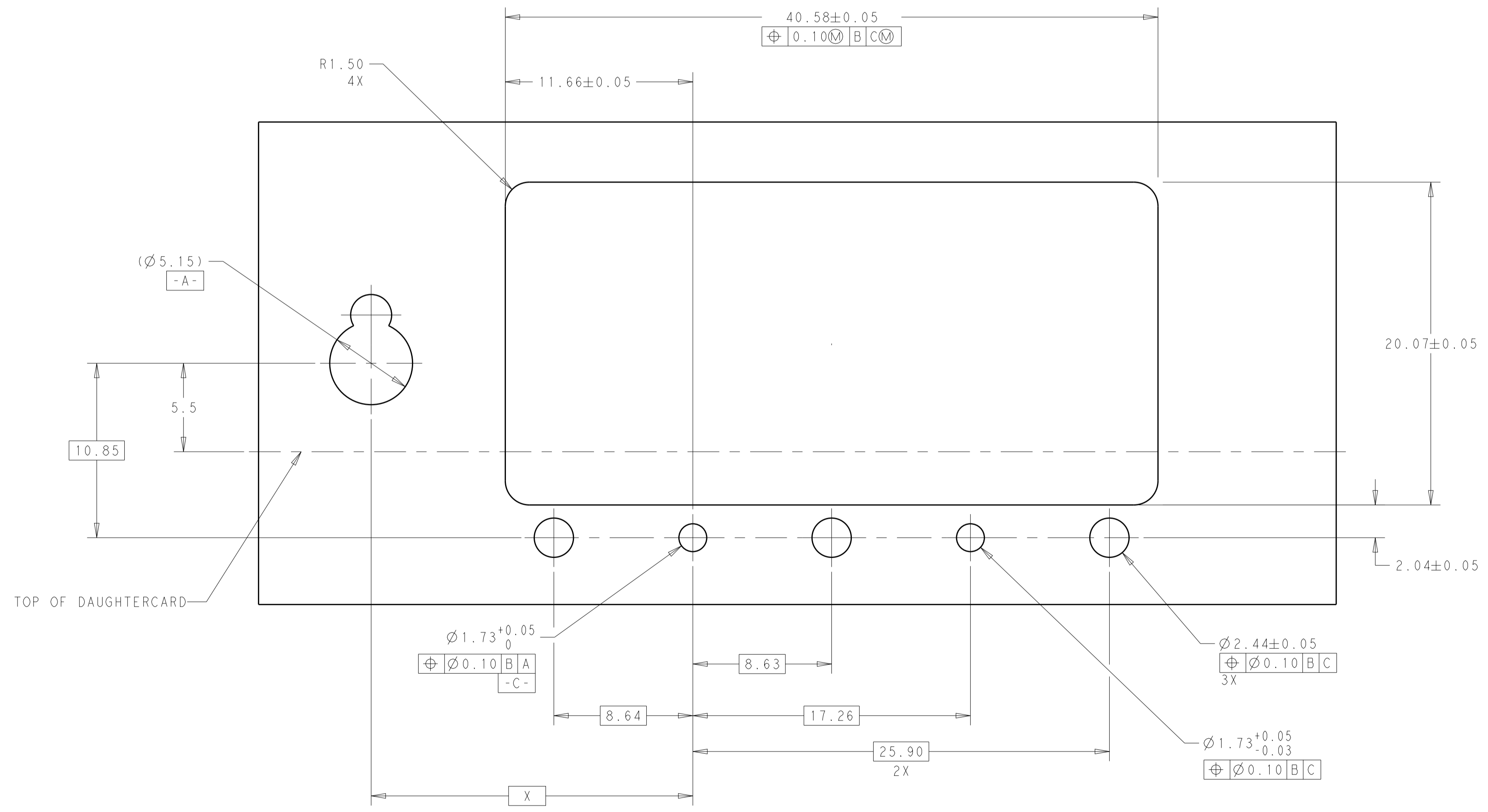
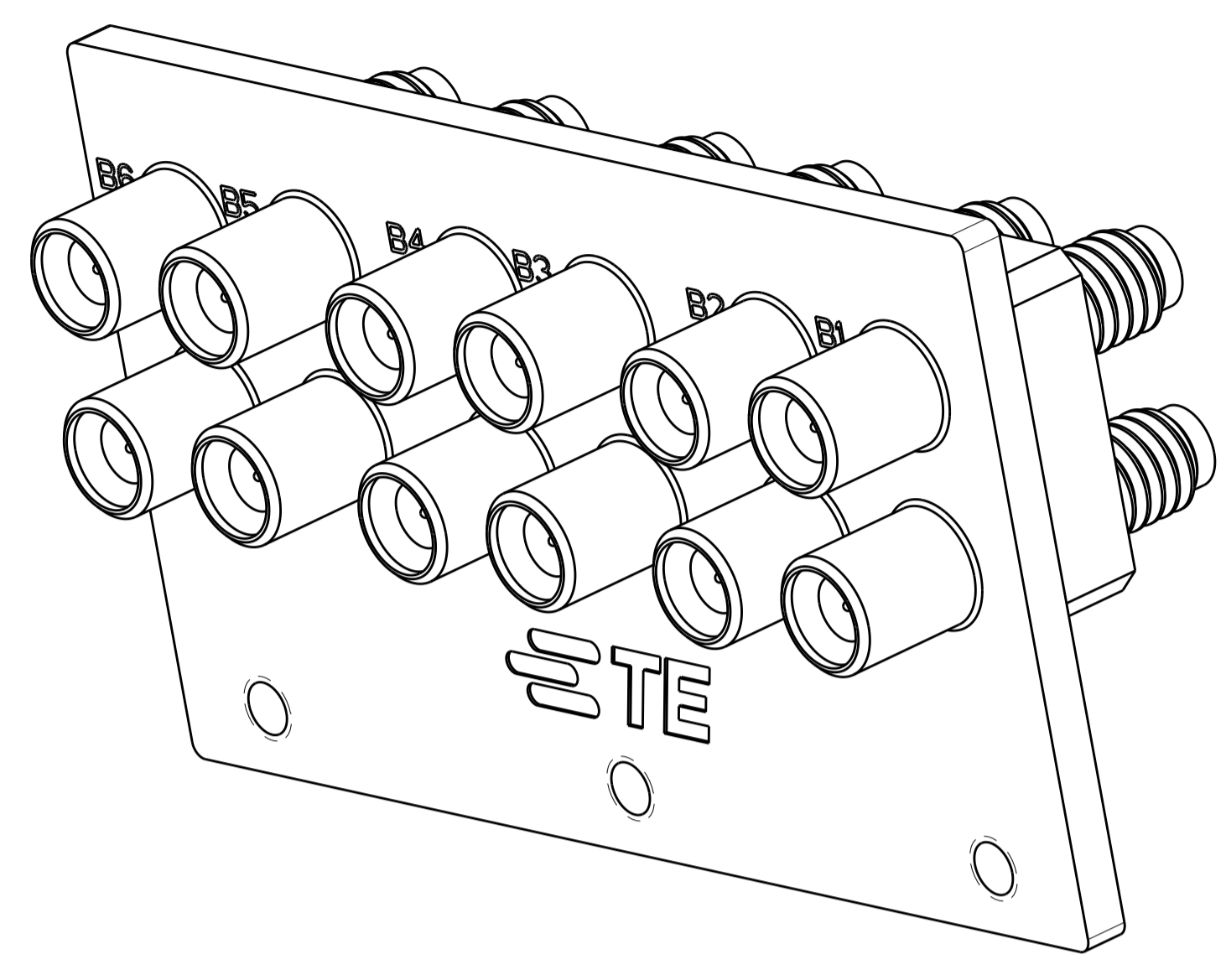
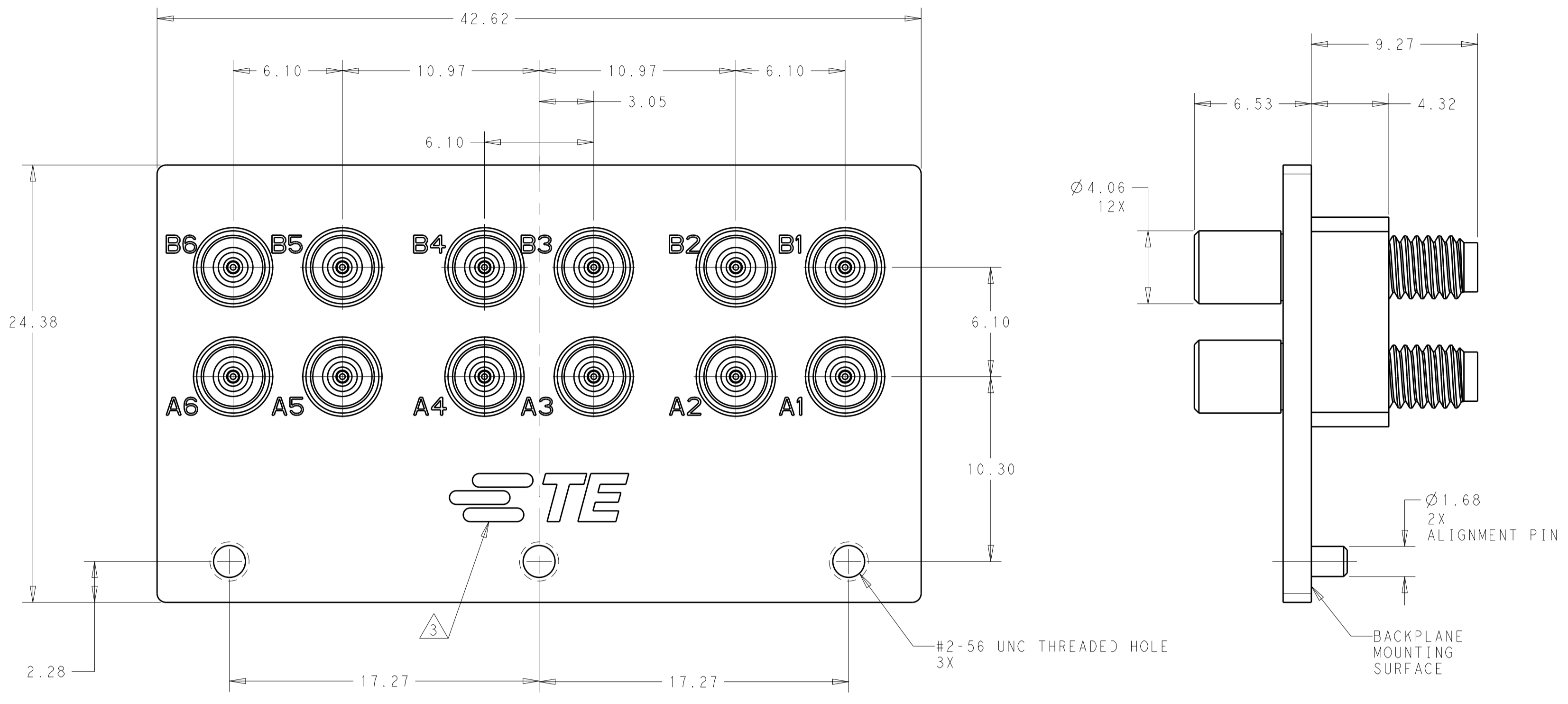


REVISIONS				
P.	LTN	DESCRIPTION	DATE	APP'D
A		RELEASED PER ECO 16-008512	6-9-16	CT DW



- 1 MATERIAL:  
 CONNECTOR BODY: STAINLESS STEEL  
 SMPM CONTACTS: BERYLLIUM COPPER  
 INSULATORS: TEFLON  
 OSM CONTACTS: STAINLESS STEEL
- 2 FINISH:  
 CONNECTOR BODY: PASSIVATED  
 SMPM CONTACTS: GOLD OVER NICKEL  
 OSM CONTACTS: PASSIVATED
- 3 PART NUMBER AND DATE CODE MARKING

**RECOMMENDED BACKPLANE CUT OUT**  
 (SEE VITA 67.3, MODULE "E"; FIGURE 6.1.5.2-1)

THIS DRAWING IS A CONTROLLED DOCUMENT.		DWN M. MILLER	26JAN2016	<b>STC</b> TE Connectivity
DIMENSIONS:		CHK C. YI	26JAN2016	
mm	TOLERANCES UNLESS OTHERWISE SPECIFIED:	APVD C. YI	26JAN2016	NAME CONNECTOR KIT, RECEPTACLE
0 PLC	±	PRODUCT SPEC		12 POSITION OSM, VITA 67.3, MODULE E COMPATIBLE
1 PLC	±	APPLICATION SPEC		SIZE
2 PLC	±0.13	WEIGHT		A100779C=2828777
3 PLC	±0.013	CUSTOMER DRAWING		SCALE 5:1 SHEET 1 OF 1 REV A
4 PLC	±			
ANGLES	±			