

282087-1 ✓ ACTIVE

AMP | AMP Superseal 1.5mm Series

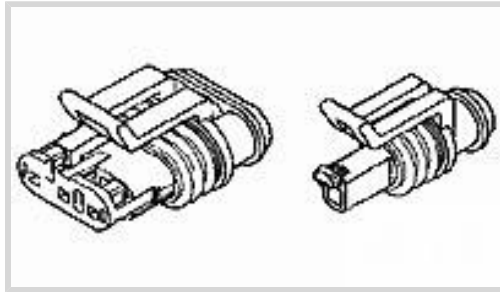
TE Internal #: 282087-1

AMP Superseal 1.5mm Series, Housing for female terminals, Wire-to-Board / Wire-to-Device / Wire-to-Wire, 3 Position, 6mm [.236in] Centerline, Sealable

[View on TE.com >](#)



Connectors > Automotive, Truck, Bus, & Off-Road Connectors > Connector Housings > AMP SUPERSEAL 1.5MM, CONNECTOR HOUSING



Connector Style: **Housing for female terminals**

Mating Tab Width: **1.5 mm [.059 in]**

Connector System: **Wire-to-Board, Wire-to-Device, Wire-to-Wire**

Number of Positions: **3**

Centerline (Pitch): **6 mm [.236 in]**

[All AMP SUPERSEAL 1.5MM, CONNECTOR HOUSING \(26\)](#)

Features

Product Type Features

Connector Style	Housing for female terminals
Connector System	Wire-to-Board, Wire-to-Device, Wire-to-Wire
Sealable	Yes
Hybrid Connector	No
Primary Locking Feature	Integrated in Housing
Strain Relief	No

Configuration Features

Number of Positions	3
Number of Rows	1

Electrical Characteristics

Nominal Voltage Architecture	12 V, 24 V
Operating Voltage	24 VDC

Body Features

Cable Exit Angle	180°
Body Material	PA GF
Color	Black



Contact Features

Mating Tab Width	1.5 mm[.059 in]
------------------	-----------------

Mechanical Attachment

Terminal Position Assurance	No
Mounting Feature	Without
Polarized	Yes

Housing Features

Centerline (Pitch)	6 mm[.236 in]
--------------------	---------------

Dimensions

Height	32.2 mm[1.268 in]
Length	23.1 mm[.909 in]
Width	9.3 mm[.366 in]

Usage Conditions

Operating Temperature Range	-40 – 125 °C, -40 – 125 °C[-40 – 257 °F][-40 – 257 °F]
-----------------------------	--

Operation/Application

Circuit Application	Signal
---------------------	--------

Industry Standards

Degree of Protection	IP67
----------------------	------

Packaging Features

Packaging Method	Bag
Packaging Quantity	650

Other

Serviceable	Yes
Connector Position Assurance Capable	No

Product Compliance

[For compliance documentation, visit the product page on TE.com>](#)

EU RoHS Directive 2011/65/EU	Compliant
EU ELV Directive 2000/53/EC	Compliant
China RoHS 2 Directive MIIT Order No 32, 2016	No Restricted Materials Above Threshold
EU REACH Regulation (EC) No. 1907/2006	



Current ECHA Candidate List: JAN 2020 (205)
 Candidate List Declared Against: JAN 2019 (197)
 Does not contain REACH SVHC

EU REACH Regulation (EC) No. 1907/2006

Current ECHA Candidate List: JAN 2020 (205)
 Candidate List Declared Against: JAN 2019 (197)

Halogen Content

BFR/CFR/PVC Free, but Br/Cl >900 ppm in other sources.


Solder Process Capability

Not applicable for solder process capability

Product Compliance Disclaimer

This information is provided based on reasonable inquiry of our suppliers and represents our current actual knowledge based on the information they provided. This information is subject to change. The part numbers that TE has identified as EU RoHS compliant have a maximum concentration of 0.1% by weight in homogenous materials for lead, hexavalent chromium, mercury, PBB, PBDE, DBP, BBP, DEHP, DIBP, and 0.01% for cadmium, or qualify for an exemption to these limits as defined in the Annexes of Directive 2011/65/EU (RoHS2). Finished electrical and electronic equipment products will be CE marked as required by Directive 2011/65/EU. Components may not be CE marked. Additionally, the part numbers that TE has identified as EU ELV compliant have a maximum concentration of 0.1% by weight in homogenous materials for lead, hexavalent chromium, and mercury, and 0.01% for cadmium, or qualify for an exemption to these limits as defined in the Annexes of Directive 2000/53/EC (ELV). Regarding the REACH Regulations, TE's information on SVHC in articles for this part number is still based on the European Chemical Agency (ECHA) 'Guidance on requirements for substances in articles' (Version: 2, April 2011), applying the 0.1% weight on weight concentration threshold at the finished product level. TE is aware of the European Court of Justice ruling of September 10th, 2015 also known as O5A (Once An Article Always An Article) stating that, in case of 'complex object', the threshold for a SVHC must be applied to both the product as a whole and simultaneously to each of the articles forming part of its composition. TE has evaluated this ruling based on the new ECHA "Guidance on requirements for substances in articles" (June 2017, version 4.0) and will be updating its statements accordingly.

Compatible Parts



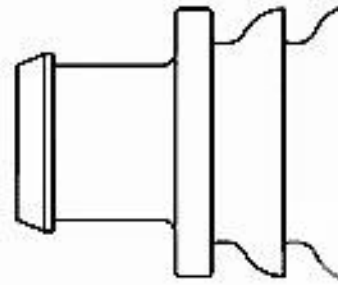
TE Model / Part # CAT-AM71-CH8172
 AMP SUPERSEAL 1.5MM,
 CONNECTOR HOUSING



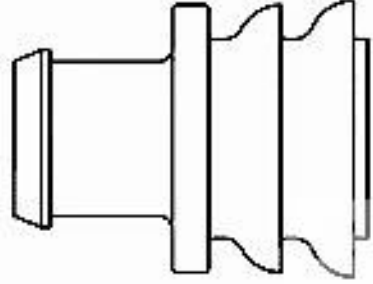
TE Model / Part # CAT-AM71-T273
 AMP SUPERSEAL 1.5MM,
 RECEPTACLE AND TAB



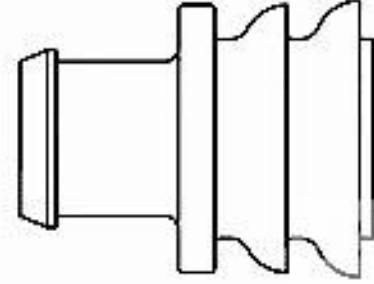
TE Model / Part # 880811-2
 COVER CAP, 3 WAY



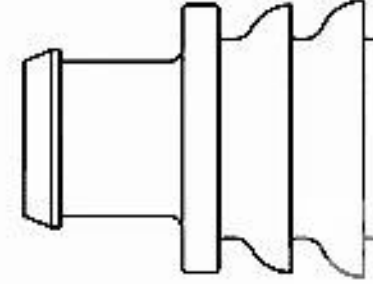
TE Model / Part # 281934-3
 SINGLE WIRE SEAL



TE Model / Part # 282081-1
 RUBBER PLUG



TE Model / Part # 281934-2
 SINGLE WIRE SEAL



TE Model / Part # 281934-4
 SINGLE WIRE SEAL

Also in the Series | AMP Superseal 1.5mm Series



Automotive Connector Caps & Covers
(2)



Automotive Seals & Cavity Plugs(4)



Automotive, Truck, Bus, & Off-Road
Housings(26)



Automotive, Truck, Bus, & Off-Road
Terminals(16)

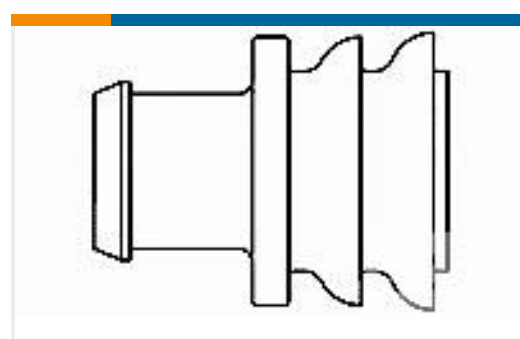


Other Automotive Connector
Accessories(2)

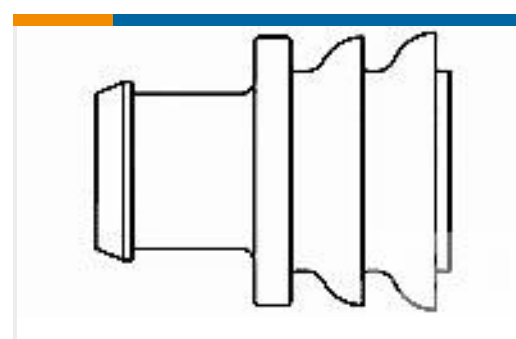
Customers Also Bought



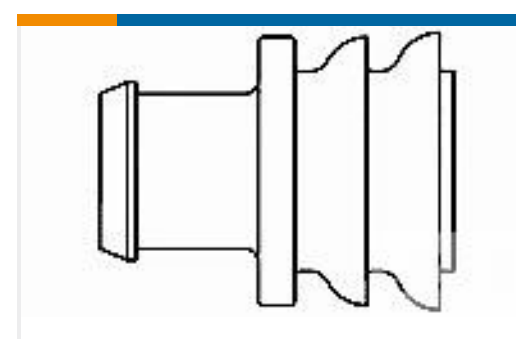
TE Model / Part #880811-2
COVER CAP, 3 WAY



TE Model / Part #281934-3
SINGLE WIRE SEAL



TE Model / Part #281934-2
SINGLE WIRE SEAL



TE Model / Part #281934-4
SINGLE WIRE SEAL

Documents

Product Drawings

[AMP SUPERSEAL 1.5 SERIES 3P PL](#)

English

CAD Files

[3D PDF](#)

3D

Customer View Model

[ENG_CVM_CVM_282087-1_C.2d_dxf.zip](#)

English

Customer View Model

[ENG_CVM_CVM_282087-1_C.3d_igs.zip](#)

English

Customer View Model

[ENG_CVM_CVM_282087-1_C.3d_stp.zip](#)



English

By downloading the CAD file I accept and agree to the [Terms and Conditions](#) of use.

Datasheets & Catalog Pages

[AMP SUPERSEAL 1.5mm Connector System](#)

English

[ICT Terminals and Connectors Catalogue](#)

English

Product Specifications

[Product Specification](#)

English

Product Environmental Compliance

[MD_282087-1_121020172150_dmtec](#)

English

[MD_282087-1_121020172150_dmtec](#)

English

Instruction Sheets

[AMP SUPERSEAL 1.5 SERIES](#)

English

[Customer Manual \(non U.S.\)](#)

English