

281872-1 ✓ ACTIVE

TE Internal #: 281872-1

Housing for Female Terminals, Wire-to-Wire, 3 Position, .196 in [5 mm] Centerline, Natural, Wire & Cable, Signal, Cable Mount (Free-Hanging)

[View on TE.com >](#)



Connectors > Automotive Connectors > Automotive Housings



Connector System: **Wire-to-Wire**

Number of Positions: **3**

Connector & Housing Type: **Housing for Female Terminals**

Centerline (Pitch): **5 mm [.196 in]**

Sealable: **No**

Features

Product Type Features

Mixed & Hybrid Connector	No
Connector Shape	Rectangular
Connector System	Wire-to-Wire
Connector & Housing Type	Housing for Female Terminals
Sealable	No
Connector & Contact Terminates To	Wire & Cable
Primary Locking Feature	Integrated in Housing

Configuration Features

Number of Positions	3
Number of Rows	1

Electrical Characteristics

Operating Voltage	24 VDC
Nominal Voltage Architecture	24 V

Body Features



Cable Exit Angle	180°
------------------	------

Primary Product Color	Natural
-----------------------	---------

Contact Features

Contact Size	5mm
--------------	-----

Contact Type	Receptacle
--------------	------------

Mating Tab Width	5 mm [.196 in]
------------------	----------------

Contact Current Rating (Max)	14 A
------------------------------	------

Mechanical Attachment

Terminal Position Assurance	No
-----------------------------	----

Strain Relief	Without
---------------	---------

Mating Alignment Type	Keyed
-----------------------	-------

Mating Alignment	With
------------------	------

Connector Mounting Type	Cable Mount (Free-Hanging)
-------------------------	----------------------------

Housing Features

Housing Material	PA GF
------------------	-------

Centerline (Pitch)	5 mm [.196 in]
--------------------	----------------

Dimensions

Connector Height	22 mm [.866 in]
------------------	-----------------

Product Width	16.8 mm [.661 in]
---------------	-------------------

Product Length	16.3 mm [.648 in]
----------------	-------------------

Usage Conditions

Operating Temperature (Max)	150 °C [302 °F]
-----------------------------	-----------------

Operating Temperature Range	-30 – 150 °C [-20 – 302 °F]
-----------------------------	-----------------------------

Operation/Application

Circuit Application	Signal
---------------------	--------

Packaging Features

Packaging Quantity	3000
--------------------	------

Packaging Method	Box
------------------	-----

Other

Serviceable	Yes
-------------	-----

Connector Position Assurance Capable	No
--------------------------------------	----

Product Compliance

For compliance documentation, visit the product page on [TE.com](https://www.te.com)>

EU RoHS Directive 2011/65/EU	Compliant
EU ELV Directive 2000/53/EC	Compliant
China RoHS 2 Directive MIIT Order No 32, 2016	No Restricted Materials Above Threshold
EU REACH Regulation (EC) No. 1907/2006	Current ECHA Candidate List: JUNE 2024 (241) Candidate List Declared Against: JAN 2024 (240) Does not contain REACH SVHC
Halogen Content	Low Halogen - Br, Cl, F, I < 900 ppm per homogenous material. Also BFR/CFR/PVC Free
Solder Process Capability	Not applicable for solder process capability

Product Compliance Disclaimer

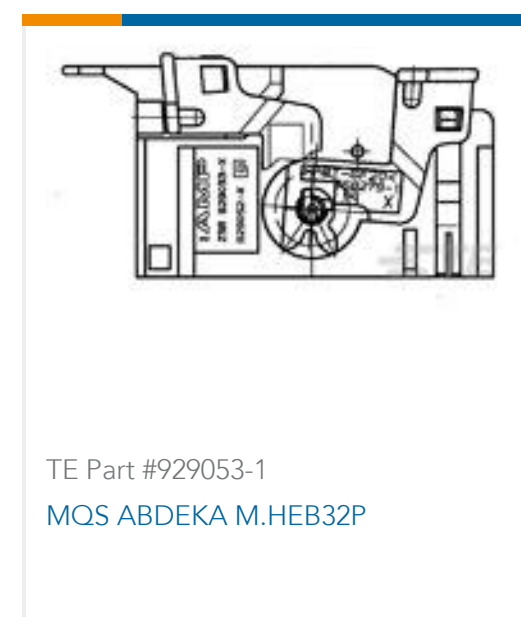
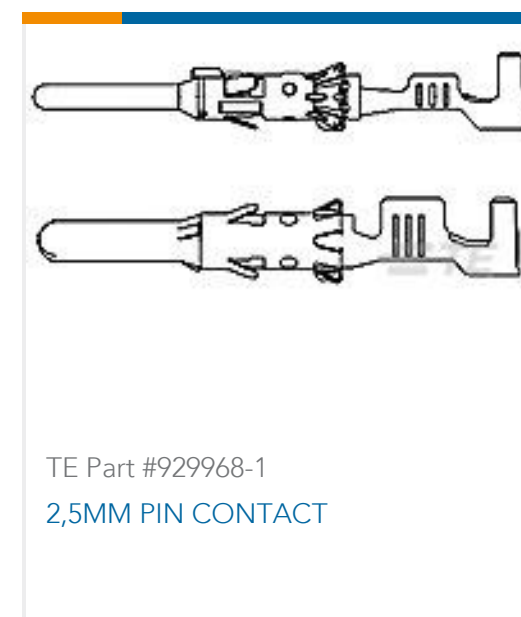
This information is provided based on reasonable inquiry of our suppliers and represents our current actual knowledge based on the information they provided. This information is subject to change. The part numbers that TE has identified as EU RoHS compliant have a maximum concentration of 0.1% by weight in homogenous materials for lead, hexavalent chromium, mercury, PBB, PBDE, DBP, BBP, DEHP, DIBP, and 0.01% for cadmium, or qualify for an exemption to these limits as defined in the Annexes of Directive 2011/65/EU (RoHS2). Finished electrical and electronic equipment products will be CE marked as required by Directive 2011/65/EU. Components may not be CE marked. Additionally, the part numbers that TE has identified as EU ELV compliant have a maximum concentration of 0.1% by weight in homogenous materials for lead, hexavalent chromium, and mercury, and 0.01% for cadmium, or qualify for an exemption to these limits as defined in the Annexes of Directive 2000/53/EC (ELV). Regarding the REACH Regulation, the information TE provides on SVHC in articles for this part number is based on the latest European Chemicals Agency (ECHA) 'Guidance on requirements for substances in articles' posted at this URL: <https://echa.europa.eu/guidance-documents/guidance-on-reach>

Compatible Parts

 <p>TE Part # 282308-1 5MM PITCH RCPT CONTACT</p>	 <p>TE Part # 282036-1 SEC.LOCK FOR TERM.15A-20A</p>	 <p>TE Part # 282310-1 5MM PITCH RCPT CONTACT</p>	 <p>TE Part # 282016-1 SEC.LOCK FEM. CONT P. 5MM</p>
--	--	--	---



Customers Also Bought



Documents

Product Drawings

5MM PITCH TAB/RECPT CONN

English

CAD Files

Customer View Model

[ENG_CVM_281872-1_A.3d_igs.zip](#)

English

Customer View Model

[ENG_CVM_281872-1_A.3d_stp.zip](#)

English

Customer View Model

[ENG_CVM_281872-1_A.2d_dxf.zip](#)

English

3D PDF

3D

By downloading the CAD file I accept and agree to the [Terms and Conditions](#) of use.



Product Specifications

connettore passo 5mm. con arpionismo a scatto

English

Product Specification

English