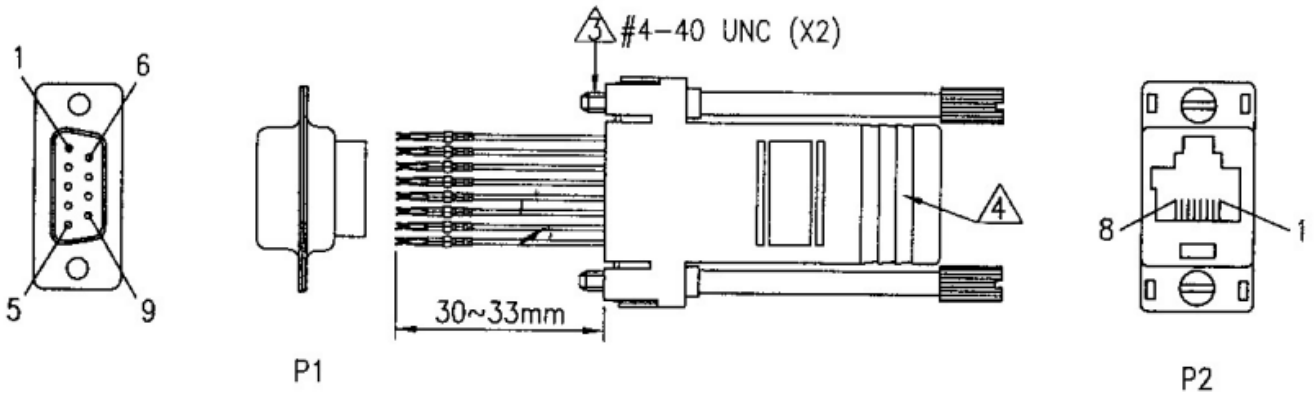


Professionally approved products.

Datasheet DB9F/RJ45 ADAPTOR

RS Stock number [281-7866](#)

Drawing (mm):



Note:

1. Wire: 26AWG, UL1061, Colour code see "pin out"
2. Connector: P1: D-Sub 9 pin female, crimping type, gold flash contacts, black PBT insulation
P2: RJ45 (8P8C) female, gold plated 3 terminal.
3. Metal Screw.
4. Light Grey (CTG – 825) plastic hood assembly.
5. Testing: 100% electrical test at 1M ohm insulation resistance.
6. Packing: Each adaptor in a clear zip-lock poly-bag, label (white background with black letters) to be stamped on poly-bag to read:

PIN OUT	
P1	P2
1	BLUE
2	ORANGE
3	BLACK
4	RED
5	GREEN
6	YELLOW
7	BROWN
8	WHITE

