

# Signal conditioner - MINI MCR-SL-SHUNT-UI-SP-NC - 2810793

Please be informed that the data shown in this PDF Document is generated from our Online Catalog. Please find the complete data in the user's documentation. Our General Terms of Use for Downloads are valid (<http://phoenixcontact.com/download>)




MCR 3-way isolating amplifier, with configurable input/output, for electrical isolation and conversion of analog signals in the mV range, single-pos. as well as 2-pos. with spring-cage connection, pre-configured

## Your advantages

- ✓ Power supply possible via the foot element (TBUS)
- ✓ Low power consumption
- ✓ Ideal for converting signals for shunt measurements
- ✓ Highly-compact isolating amplifier for electrical isolation, conversion, amplification, and filtering of mV signals to create standard analog signals
- ✓ Up to 280 signal combinations can be configured using DIP switches
- ✓ 3-way isolation



## Key Commercial Data

Packing unit	1 pc
GTIN	 4 046356 305358
GTIN	4046356305358

## Technical data

### Note

Utilization restriction	EMC: class A product, see manufacturer's declaration in the download area
-------------------------	---

### Dimensions

Width	6.2 mm
Height	93.1 mm
Depth	102.5 mm

### Ambient conditions

Ambient temperature (operation)	-20 °C ... 65 °C
Ambient temperature (storage/transport)	-40 °C ... 85 °C

# Signal conditioner - MINI MCR-SL-SHUNT-UI-SP-NC - 2810793

## Technical data

### Ambient conditions

Maximum altitude	≤ 2000 m
------------------	----------

### Input data

Number of inputs	1
Configurable/programmable	Yes, unconfigured
Voltage input signal	-50 mV ... 50 mV
	-60 mV ... 60 mV
	-75 mV ... 75 mV
	-80 mV ... 80 mV
	-100 mV ... 100 mV
	-120 mV ... 120 mV
	-150 mV ... 150 mV
	-200 mV ... 200 mV
	-240 mV ... 240 mV
	-300 mV ... 300 mV
	-500 mV ... 500 mV
	-600 mV ... 600 mV
	-750 mV ... 750 mV
	-800 mV ... 800 mV
	-1 V ... 1 V
	-1.2 V ... 1.2 V
	-1.5 V ... 1.5 V
	-2 V ... 2 V
	-2.4 V ... 2.4 V
	-3 V ... 3 V
	0 mV ... 50 mV
	0 mV ... 60 mV
	0 mV ... 75 mV
	0 mV ... 80 mV
	0 mV ... 100 mV
	0 mV ... 120 mV
	0 mV ... 150 mV
	0 mV ... 200 mV
	0 mV ... 240 mV
	0 mV ... 300 mV
	0 mV ... 500 mV
	0 mV ... 600 mV
	0 mV ... 750 mV
	0 mV ... 800 mV
	0 V ... 1 V
	0 V ... 1.2 V

# Signal conditioner - MINI MCR-SL-SHUNT-UI-SP-NC - 2810793

## Technical data

### Input data

	0 V ... 1.5 V
	0 V ... 2 V
	0 V ... 2.4 V
	0 V ... 3 V
max. input voltage	approx. 3 V DC
Input resistance of voltage input	approx. 10 kΩ

### Output data

Number of outputs	1
Configurable/programmable	Yes, unconfigured
Voltage output signal	0 V ... 10 V
	2 V ... 10 V
	0 V ... 5 V
	1 V ... 5 V
	-10 V ... 10 V (The bi-polar output can be used only for bi-polar input signals.)
	-5 V ... 5 V (The bi-polar output can be used only for bi-polar input signals.)
Current output signal	0 mA ... 20 mA
	4 mA ... 20 mA
Load/output load voltage output	≥ 10 kΩ
Load/output load current output	< 500 Ω (at 20 mA)
Ripple	< 20 mV <sub>PP</sub> (at 500 Ω)
	< 20 mV <sub>PP</sub> (at 10 kΩ)

### Power supply

Nominal supply voltage	24 V DC
Supply voltage range	19.2 V DC ... 30 V DC
Max. current consumption	< 25 mA
Power consumption	< 450 mW (Current output)

### Connection data

Connection method	Spring-cage connection
Conductor cross section solid min.	0.2 mm <sup>2</sup>
Conductor cross section solid max.	2.5 mm <sup>2</sup>
Conductor cross section AWG min.	24
Conductor cross section AWG max.	12
Conductor cross section flexible min.	0.2 mm <sup>2</sup>
Conductor cross section flexible max.	2.5 mm <sup>2</sup>
Stripping length	8 mm
Connection technology	2-wire

### General

# Signal conditioner - MINI MCR-SL-SHUNT-UI-SP-NC - 2810793

## Technical data

### General

No. of channels	1
Maximum transmission error	≤ 0.2 %
	< 0.4 % (Without adjustment)
Maximum temperature coefficient	< 0.01 %/K
Temperature coefficient, typical	< 0.002 %/K
Limit frequency (3 dB)	100 Hz / 30 Hz switchable
Step response (10-90%)	3.5 ms (At 100 Hz)
Electrical isolation	Basic insulation according to EN 61010
Overvoltage category	II
Degree of pollution	2
Rated insulation voltage	50 V AC/DC
Test voltage, input/output/supply	1.5 kV (50 Hz, 1 min.)
Electromagnetic compatibility	Conformance with EMC directive
Noise emission	EN 61000-6-4
Noise immunity	EN 61000-6-2 When being exposed to interference, there may be minimal deviations.
Color	green
Housing material	PBT
Mounting position	any
Assembly instructions	The T connector can be used to bridge the supply voltage. It can be snapped onto a 35 mm DIN rail according to EN 60715.
Conformance	CE-compliant
ATEX	# II 3 G Ex nA IIC T4 Gc X
UL, USA/Canada	UL 508 Recognized
	Class I, Div. 2, Groups A, B, C, D T4
Certificate of classification	DNV GL TAA00000N1
Fire protection for rail vehicles (DIN EN 45545-2) R22	HL 1 - HL 2
Fire protection for rail vehicles (DIN EN 45545-2) R23	HL 1 - HL 2
Fire protection for rail vehicles (DIN EN 45545-2) R24	HL 1 - HL 2

### EMC data

Designation	Electromagnetic RF field
Standards/regulations	EN 61000-4-3
Typical deviation from the measuring range final value	6 %
Designation	Fast transients (burst)
Standards/regulations	EN 61000-4-4
Typical deviation from the measuring range final value	6 %
Designation	Conducted interferences
Standards/regulations	EN 61000-4-6
Typical deviation from the measuring range final value	6 %

### Standards and Regulations

# Signal conditioner - MINI MCR-SL-SHUNT-UI-SP-NC - 2810793

## Technical data

### Standards and Regulations

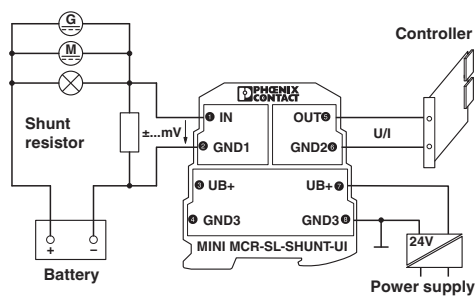
Electromagnetic compatibility	Conformance with EMC directive
Noise emission	EN 61000-6-4
Connection in acc. with standard	CUL
Standards/regulations	EN 61000-4-2
Designation	Electromagnetic RF field
Standards/regulations	EN 61000-4-3
	EN 61000-4-4
	EN 61000-4-5
Designation	Conducted interferences
Standards/regulations	EN 61000-4-6
Electrical isolation	Basic insulation according to EN 61010
Conformance	CE-compliant
ATEX	# II 3 G Ex nA IIC T4 Gc X
UL, USA/Canada	UL 508 Recognized
	Class I, Div. 2, Groups A, B, C, D T4
Fire protection for rail vehicles (DIN EN 45545-2) R22	HL 1 - HL 2
Fire protection for rail vehicles (DIN EN 45545-2) R23	HL 1 - HL 2
Fire protection for rail vehicles (DIN EN 45545-2) R24	HL 1 - HL 2

### Environmental Product Compliance

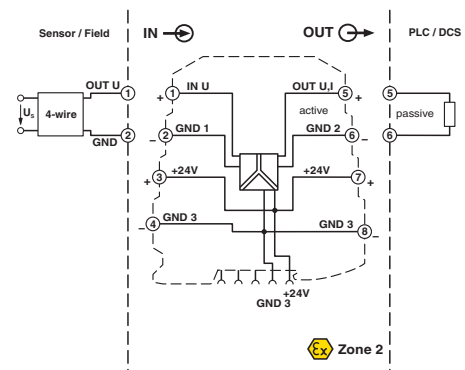
China RoHS	Environmentally Friendly Use Period = 50
	For details about hazardous substances go to tab "Downloads", Category "Manufacturer's declaration"

## Drawings

Application drawing



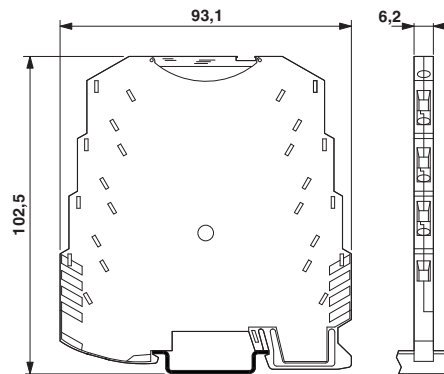
Block diagram



Monitoring of loading and unloading currents

# Signal conditioner - MINI MCR-SL-SHUNT-UI-SP-NC - 2810793

Dimensional drawing



## Approvals

### Approvals

#### Approvals

DNV GL / UL Recognized / cUL Recognized / cULus Recognized

#### Ex Approvals

ATEX / UL Listed / cUL Listed / EAC Ex / cULus Listed

### Approval details

DNV GL	<a href="http://exchange.dnv.com/tari/">http://exchange.dnv.com/tari/</a>	TAA00000N1
--------	---	------------

UL Recognized		<a href="http://database.ul.com/cgi-bin/XYV/template/LISEXT/1FRAME/index.htm">http://database.ul.com/cgi-bin/XYV/template/LISEXT/1FRAME/index.htm</a>	FILE E 238705
---------------	--	---	---------------

cUL Recognized		<a href="http://database.ul.com/cgi-bin/XYV/template/LISEXT/1FRAME/index.htm">http://database.ul.com/cgi-bin/XYV/template/LISEXT/1FRAME/index.htm</a>	FILE E 238705
----------------	--	---	---------------

cULus Recognized			
------------------	--	--	--

Phoenix Contact 2018 © - all rights reserved  
<http://www.phoenixcontact.com>

PHOENIX CONTACT GmbH & Co. KG  
Flachmarktstr. 8  
32825 Blomberg  
Germany  
Tel. +49 5235 300  
Fax +49 5235 3 41200  
<http://www.phoenixcontact.com>