



Terminals & Splices > Terminal Housings, Insulation Sleeves & Blocks > Cluster Blocks



Number of Circuits: 3

Primary Product Material: PBT Polyester Non-Reinforced

Operating Temperature Range: -20 – 120 °C [-4 – 248 °F]

## Features

### Configuration Features

Number of Circuits	3
--------------------	---

### Body Features

Primary Product Color	Natural
Primary Product Material	PBT Polyester Non-Reinforced

### Contact Features

Mating Pin Diameter	2.29 mm [.09 in]
---------------------	------------------

### Mechanical Attachment

Block Mounting Configuration	2 Forward - 1 Back
------------------------------	--------------------

### Dimensions

Product Length	30.6 mm
Compatible Insulation Diameter Range	1.5 – 2.6 mm

### Usage Conditions

Operating Temperature Range	-20 – 120 °C [-4 – 248 °F]
-----------------------------	----------------------------

### Packaging Features

Packaging Quantity	5000
Packaging Method	Box



## Product Compliance

[For compliance documentation, visit the product page on TE.com>](#)

EU RoHS Directive 2011/65/EU	Compliant
EU ELV Directive 2000/53/EC	Compliant
China RoHS 2 Directive MIIT Order No 32, 2016	No Restricted Materials Above Threshold
EU REACH Regulation (EC) No. 1907/2006	Current ECHA Candidate List: JUNE 2024 (241) Candidate List Declared Against: JUNE 2024 (241) Does not contain REACH SVHC
Halogen Content	Low Halogen - Br, Cl, F, I < 900 ppm per homogenous material. Also BFR/CFR/PVC Free
Solder Process Capability	Not applicable for solder process capability

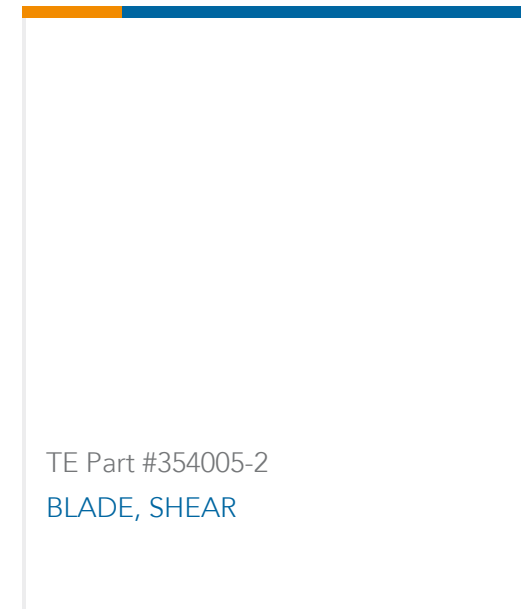
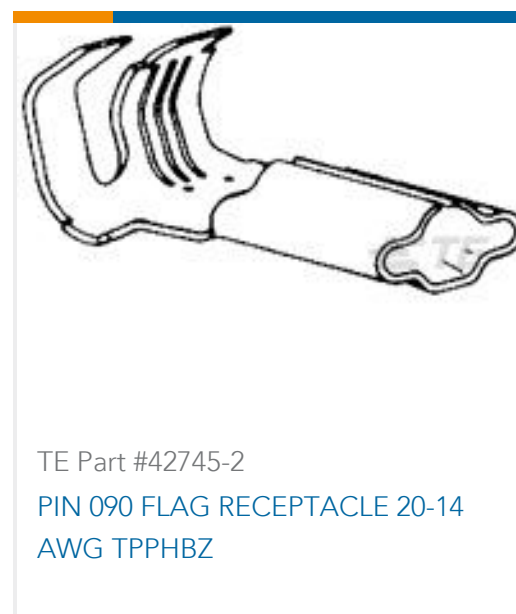
### Product Compliance Disclaimer

This information is provided based on reasonable inquiry of our suppliers and represents our current actual knowledge based on the information they provided. This information is subject to change. The part numbers that TE has identified as EU RoHS compliant have a maximum concentration of 0.1% by weight in homogenous materials for lead, hexavalent chromium, mercury, PBB, PBDE, DBP, BBP, DEHP, DIBP, and 0.01% for cadmium, or qualify for an exemption to these limits as defined in the Annexes of Directive 2011/65/EU (RoHS2). Finished electrical and electronic equipment products will be CE marked as required by Directive 2011/65/EU. Components may not be CE marked. Additionally, the part numbers that TE has identified as EU ELV compliant have a maximum concentration of 0.1% by weight in homogenous materials for lead, hexavalent chromium, and mercury, and 0.01% for cadmium, or qualify for an exemption to these limits as defined in the Annexes of Directive 2000/53/EC (ELV). Regarding the REACH Regulation, the information TE provides on SVHC in articles for this part number is based on the latest European Chemicals Agency (ECHA) 'Guidance on requirements for substances in articles' posted at this URL: <https://echa.europa.eu/guidance-documents/guidance-on-reach>

## Compatible Parts

 <p>TE Part # 1217264-1 RCPT 090 CLSTR PIN 22-14</p>	 <p>TE Part # 1742964-1 2.29 DIA CLUSTER PIN AMPLV REC 1600-4800</p>	 <p>TE Part # 1742981-1 2.29 DIA CLUST PIN AMPLVR REC 400-1600</p>
---------------------------------------------------------------------------------------------------------------------------------------------	--------------------------------------------------------------------------------------------------------------------------------------------------------------	-------------------------------------------------------------------------------------------------------------------------------------------------------------

## Customers Also Bought



## Documents

### CAD Files

Customer View Model

[ENG\\_CVM\\_281006-4\\_U.3d\\_igs.zip](#)

English

Customer View Model

[ENG\\_CVM\\_281006-4\\_U.3d\\_stp.zip](#)

English

Customer View Model

[ENG\\_CVM\\_281006-4\\_U.2d\\_dxf.zip](#)

English

3D PDF

3D

By downloading the CAD file I accept and agree to the [Terms and Conditions](#) of use.

### Product Specifications

Application Specification

English

### Agency Approvals

UL Report

English