



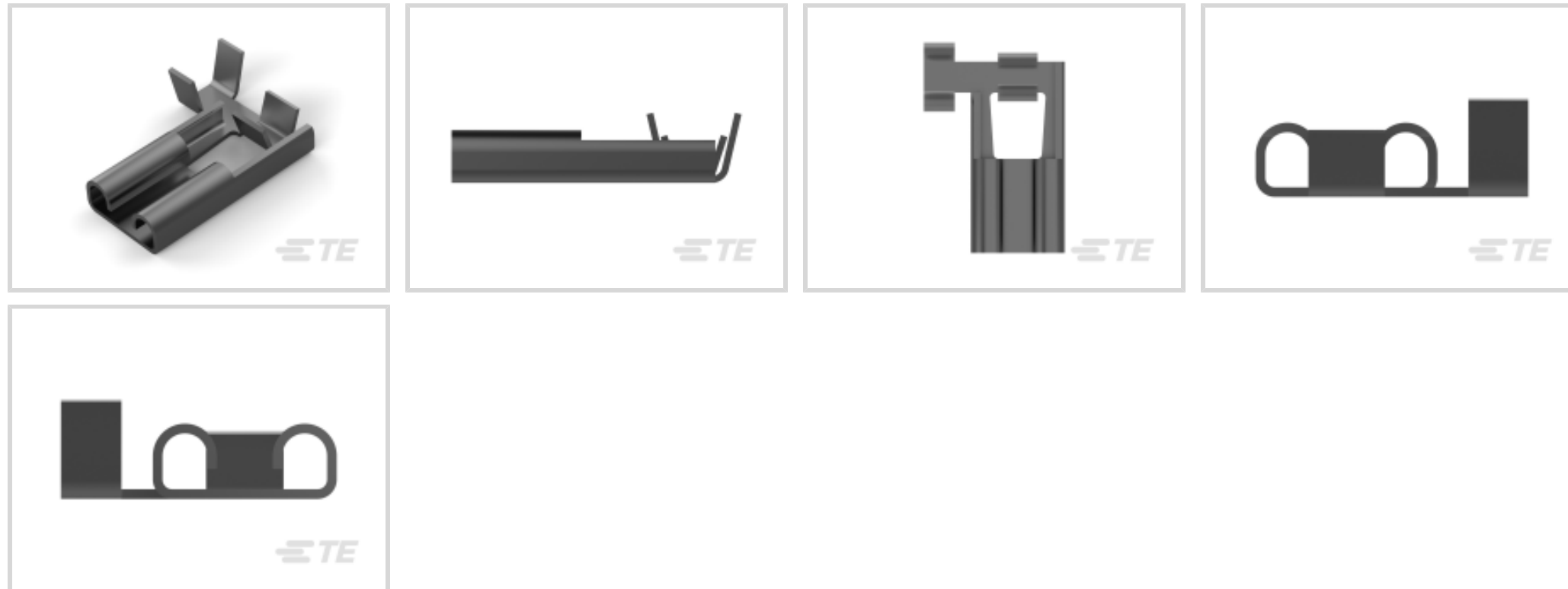
FASTON | FASTON 250

TE Internal #: 280050-7

Quick Disconnects, Receptacle, 16 – 20 AWG Wire Size, .5 – 1.5 mm² Wire Size, Mating Tab Width 6.35 mm [.25 in], Flag, Brass, Tin Plating, FASTON 250

[View on TE.com >](#)

Terminals & Splices > Quick Disconnects



Quick Disconnect Terminal Type: **Receptacle**

Wire Size: .5 – 1.5 mm²

Mating Tab Width: 6.35 mm [.25 in]

Mating Tab Thickness: .81 mm [.032 in]

Features

Product Type Features

Insertion Force	Normal
-----------------	--------

Configuration Features

Connection Capacity	Single
Compatible With Wire & Cable Type	Discrete Wire

Contact Features

Quick Disconnect Terminal Type	Receptacle
Mating Tab Width	6.35 mm [.25 in]
Mating Tab Thickness	.81 mm [.032 in]
Terminal Orientation	Flag
Contact Base Material	Brass
Terminal Plating Material	Tin
Crimp Type	F-Crimp
Barrel Type	Open

Termination Features

--	--



Product Terminates To	Wire & Cable
-----------------------	--------------

Mechanical Attachment

Wire Insulation Support	With
Mating Retention Type	Dimple

Dimensions

Terminal Material Thickness	.41 mm[.016 in]
Product Length	16.8 mm[.661 in]
Compatible Insulation Diameter Range	2.36 – 3.3 mm[.093 – .13 in]
Wire Size	.5 – 1.5 mm ²

Usage Conditions

Insulation Option	Uninsulated
Operating Temperature Range	-40 – 110 °C[-40 – 230 °F]

Industry Standards

Compatible With Agency/Standards Products	UL
UL Flammability Rating	UL 94V-2

Packaging Features

Packaging Quantity	4000
Packaging Method	Strip/Reel

Other

Line	Premier
------	---------

Product Compliance

[For compliance documentation, visit the product page on TE.com>](#)

EU RoHS Directive 2011/65/EU	Compliant
EU ELV Directive 2000/53/EC	Compliant
China RoHS 2 Directive MIIT Order No 32, 2016	No Restricted Materials Above Threshold
EU REACH Regulation (EC) No. 1907/2006	Current ECHA Candidate List: JUNE 2024 (241) Candidate List Declared Against: JAN 2024 (240) Does not contain REACH SVHC
Halogen Content	Low Halogen - Br, Cl, F, I < 900 ppm per homogenous material. Also BFR/CFR/PVC Free



Solder Process Capability

Not applicable for solder process capability

Product Compliance Disclaimer

This information is provided based on reasonable inquiry of our suppliers and represents our current actual knowledge based on the information they provided. This information is subject to change. The part numbers that TE has identified as EU RoHS compliant have a maximum concentration of 0.1% by weight in homogenous materials for lead, hexavalent chromium, mercury, PBB, PBDE, DBP, BBP, DEHP, DIBP, and 0.01% for cadmium, or qualify for an exemption to these limits as defined in the Annexes of Directive 2011/65/EU (RoHS2). Finished electrical and electronic equipment products will be CE marked as required by Directive 2011/65/EU. Components may not be CE marked. Additionally, the part numbers that TE has identified as EU ELV compliant have a maximum concentration of 0.1% by weight in homogenous materials for lead, hexavalent chromium, and mercury, and 0.01% for cadmium, or qualify for an exemption to these limits as defined in the Annexes of Directive 2000/53/EC (ELV). Regarding the REACH Regulation, the information TE provides on SVHC in articles for this part number is based on the latest European Chemicals Agency (ECHA) 'Guidance on requirements for substances in articles' posted at this URL: <https://echa.europa.eu/guidance-documents/guidance-on-reach>

Compatible Parts



TE Part # 2376595-2
250 FASTON PCB TAB TPBR



TE Part # 180388-2
250 FASTON, REC., 20-16 AWG, TPBR



TE Part # 1855420-3
HDM w/FA SMPR100F140F G (CUT)



TE Part # 190735-7
250 FASTON, FLAG, REC., 20-16 AWG, PTBR



TE Part # 2836223-2
OCEAN_2.0_Applicator-S-100F140F-SSA




TE Part # 7-2836223-7
OCEAN_2.0_SPARE_PART_KIT-100F140F

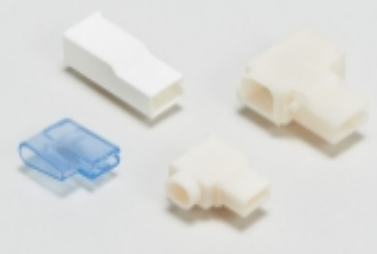


TE Part # 7-2836223-2
OCEAN_2.0_Applicator-S-100F140F


Also in the Series | FASTON 250




Compression Connectors(4)



Crimp Terminal Housings(133)



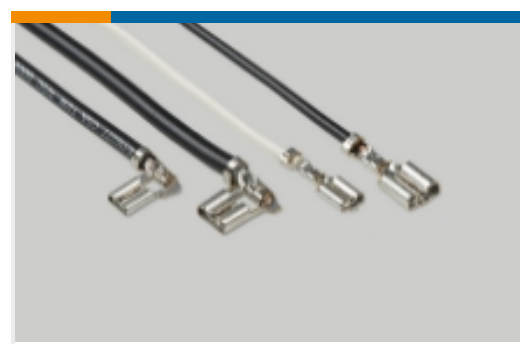
Insertion & Extraction Tools(6)



Magnet Wire Terminals(1)



PCB Terminals(134)

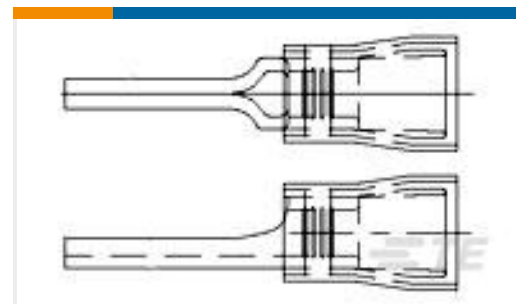


Quick Disconnects(428)



Splices(4)

Customers Also Bought

TE Part #1461492-2
OJT-SS-105LM,000TE Part #696153-2
TERM, WIRE PIN, PIDG, 22-16, T&RTE Part #696274-2
TERM, WIRE PIN, PIDG, 16-14, T&RTE Part #593358-000
STD Snap-On MarkersTE Part #1SNA166578R0100
CPC-1

Documents

Product Drawings

250 FASTON, FLAG, REC., 16-20 AWG, TPPB

English

CAD Files

3D PDF

3D

Customer View Model

[ENG_CVM_CVM_280050-7_BC.2d_dxf.zip](#)

English

Customer View Model

[ENG_CVM_CVM_280050-7_BC.3d_igs.zip](#)

English

Customer View Model

[ENG_CVM_CVM_280050-7_BC.3d_stp.zip](#)

English

By downloading the CAD file I accept and agree to the [Terms and Conditions](#) of use.



Product Specifications

FASTON & FASTIN-FASTON conn. .250 srs. flag rec. etc.

Application Specification

Agency Approvals

UL Report

English