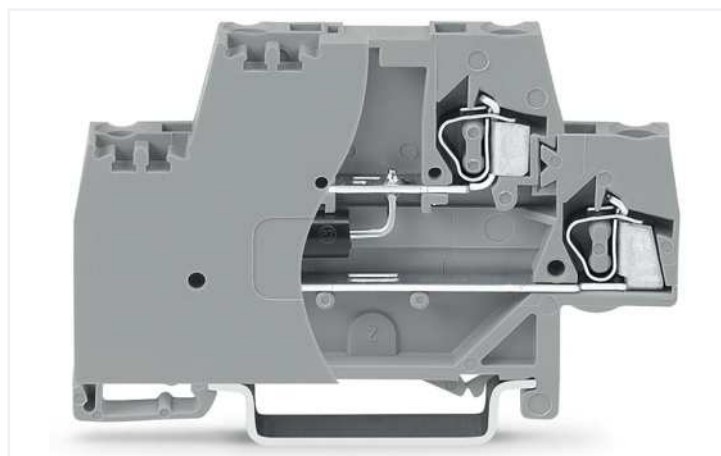
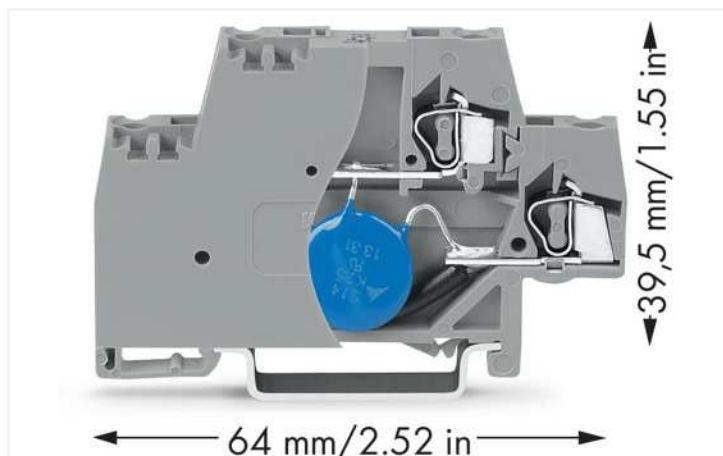


Data Sheet | Item Number: 280-944/281-594

Component terminal block; double-deck; with end plate; with 1.5KE-C TVS diode;
AC 115 V; for DIN-rail 35 x 15 and 35 x 7.5; 2.5 mm²; CAGE CLAMP®; 2,50 mm²; gray

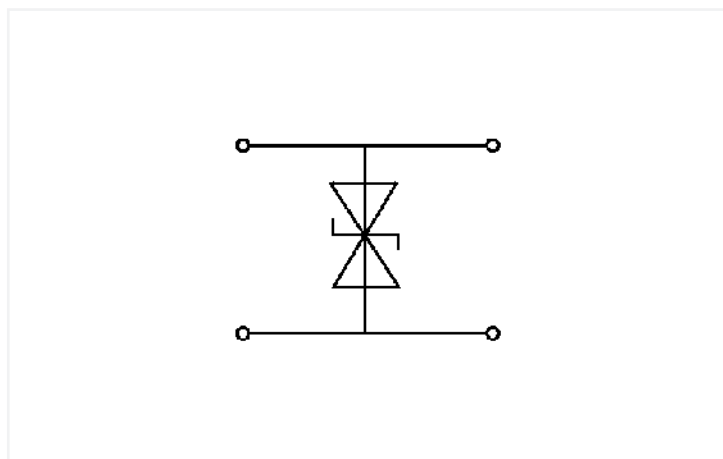
<https://www.wago.com/280-944/281-594>



Color: ■ gray

Similar to illustration

Similar to illustration



Short description:

This component terminal block with surge suppression device and end plate is equipped with a TVS diode.

Features:

- Protect your system against overvoltage
- Slim, space-saving design
- Control operational costs by preventing expensive, unplanned downtime
- High operational reliability and system uptime

Electrical data

Nominal operating voltage	AC 115 V
Highest continuous voltage	AC 133 V
Rated continuous current	20 A
Nominal discharge current (8/20 µs) (line)	26 A
Protection level (8/20 µs)	≤ AC 388 V
Capacitance	≤ 630 pF

Connection data

Connections (number)	4
Connection technology	CAGE CLAMP®
Solid conductor	0.08 ... 2.5 mm ² / 28 ... 14 AWG
Fine-stranded conductor	0.08 ... 2.5 mm ² / 28 ... 14 AWG
Strip length	8 ... 9 mm / 0.31 ... 0.35 inches

Physical data

Width	10 mm / 0.394 inches
Height from upper-edge of DIN-rail	39.5 mm / 1.555 inches
Depth	64 mm / 2.52 inches

Mechanical data

Design	with end plate
Mounting type	DIN-35 rail

Material data

Color	gray
Insulation material	Polyamide (PA66)
Material group	I
Flammability class per UL94	V0
Fire load	0.362 MJ
Weight	14 g

Environmental requirements

Processing temperature	-35 ... +85 °C
------------------------	----------------

Commercial data

Product Group	1 (Rail Mounted Terminal Blocks)
eCl@ss 10.0	27-14-11-27
eCl@ss 9.0	27-14-11-27
ETIM 8.0	EC000903
ETIM 7.0	EC000903
PU (SPU)	50 (1) pcs
Packaging type	Box
Country of origin	DE
GTIN	4050821514947
Customs tariff number	85369010000

Environmental Product Compliance

CAS-No.	7439-92-1
REACH Candidate List Substance	Lead
RoHS Compliance Status	Compliant,With Exemption
RoHS Exemption	7(a) 7(c)-I
SCIP notification number (Bulgaria)	1fd7fac4-2d27-49d6-b7a7-ea0372cfde0f
SCIP notification number (Czech Republic)	67243e70-35ed-4c90-964e-3b8c23dbecf3

Downloads

Environmental Product Compliance

Compliance Search

Environmental Product
Compliance
280-944/281-594



Documentation

Bid Text

280-944/281-594	19.02.2019	xml 3.18 KB	
280-944/281-594	11.02.2015	doc 25.50 KB	

CAD/CAE-Data

CAE data

EPLAN Data Portal
280-944/281-594



WSCAD Universe
280-944/281-594



1 Compatible Products

1.1 Required Accessories

1.1.1 End plate

1.1.1.1 End plate



[Item No.: 280-340](#)

End and intermediate plate; 2.5 mm thick;
gray

[Item No.: 280-341](#)

End and intermediate plate; 2.5 mm thick;
orange