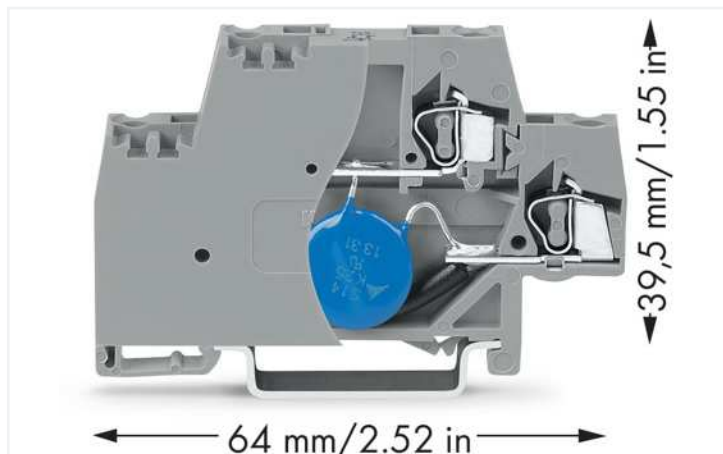


## Data Sheet | Item Number: 280-944/281-591

Component terminal block; double-deck; with end plate; with 1.5KE82C TVS diode; 60 VDC; for DIN-rail 35 x 15 and 35 x 7.5; 2.5 mm<sup>2</sup>; CAGE CLAMP®; 2,50 mm<sup>2</sup>; gray

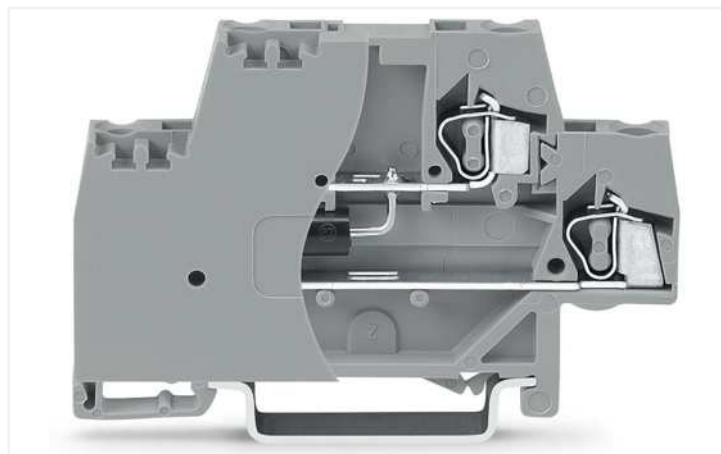


<https://www.wago.com/280-944/281-591>

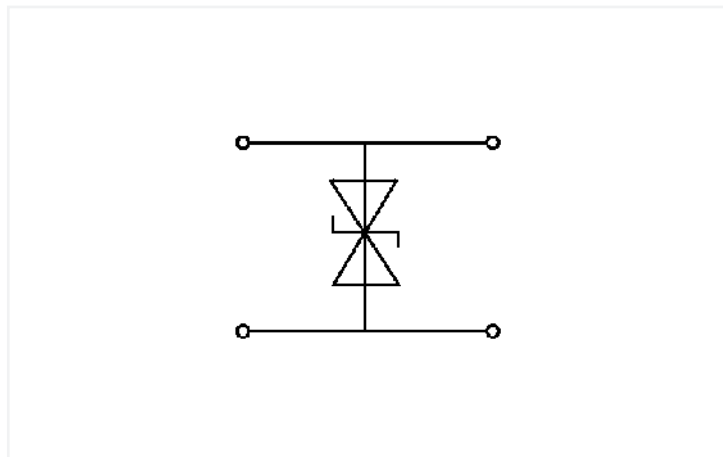


Color: gray

Similar to illustration



Similar to illustration



### Short description:

This component terminal block with surge suppression device and end plate is equipped with a TVS diode.

### Features:

- Protect your system against overvoltage
- Slim, space-saving design
- Control operational costs by preventing expensive, unplanned downtime
- High operational reliability and system uptime

### Electrical data

Nominal operating voltage	DC 60 V
Highest continuous voltage	DC 70 V
Rated continuous current	20 A
Nominal discharge current (8/20 µs) (line)	69 A
Protection level (8/20 µs)	≤ DC 146 V
Capacitance	≤ 1.35 nF

## Connection data

Connections (number)	4
Connection technology	CAGE CLAMP®
Solid conductor	0.08 ... 2.5 mm <sup>2</sup> / 28 ... 14 AWG
Fine-stranded conductor	0.08 ... 2.5 mm <sup>2</sup> / 28 ... 14 AWG
Strip length	8 ... 9 mm / 0.31 ... 0.35 inches

## Physical data

Width	10 mm / 0.394 inches
Height from upper-edge of DIN-rail	39.5 mm / 1.555 inches
Depth	64 mm / 2.52 inches

## Mechanical data

Design	with end plate
Mounting type	DIN-35 rail

## Material data

Color	gray
Insulation material	Polyamide (PA66)
Material group	I
Flammability class per UL94	V0
Fire load	0.348 MJ
Weight	14.2 g

## Environmental requirements

Processing temperature	-35 ... +85 °C
------------------------	----------------

## Commercial data

Product Group	1 (Rail Mounted Terminal Blocks)
eCl@ss 10.0	27-14-11-27
eCl@ss 9.0	27-14-11-27
ETIM 8.0	EC000903
ETIM 7.0	EC000903
PU (SPU)	50 (1) pcs
Packaging type	Box
Country of origin	DE
GTIN	4050821515067
Customs tariff number	85369010000

## 1 Compatible Products

### 1.1 Required Accessories

#### 1.1.1 End plate

### 1.1.1.1 End plate



**Item No.: 280-340**

End and intermediate plate; 2.5 mm thick;  
gray

**Item No.: 280-341**

End and intermediate plate; 2.5 mm thick;  
orange