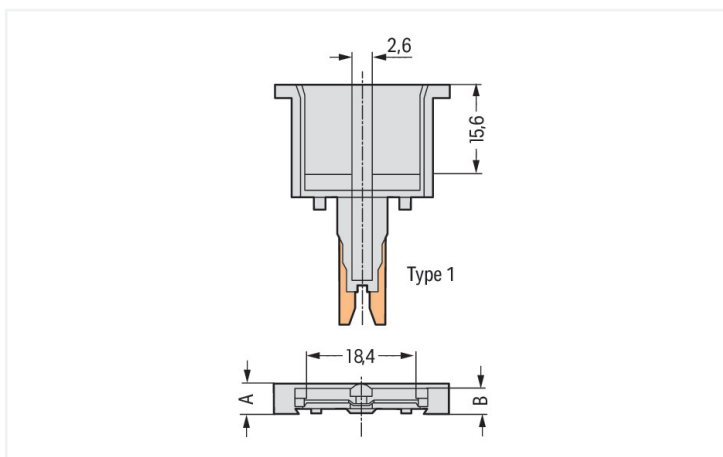




Color: ■ gray

Type	1	2	3	4
A	5	10	10	10
B	3.2	8.2	8.2	8.2



Dimensions in mm

Empty component plug housing, type 1

Notes

Note Plug inside dimensions: W/H/L (3.2/15/15) mm

Electrical data

Rated continuous current 6 A

Safety and protection

Rated Voltage 250 V

Rated surge voltage 4 kV

Pollution degree 3

Connection data

Pole number	2
Wiring direction	Front-entry wiring

Physical data

Width	5 mm / 0.197 inches
-------	---------------------

Mechanical data

Housing design	Plug for carrier terminal blocks
Mounting type	Pluggable module for carrier terminal block

Material data

Color	gray
Insulation material (main housing)	Polyamide (PA66)
Material group	I
Flammability class per UL94	V0
Fire load	0.099 MJ
Weight	2.3 g

Environmental requirements

Processing temperature	-35 ... +85 °C
------------------------	----------------

Commercial data

Product Group	1 (Rail Mounted Terminal Blocks)
eCl@ss 10.0	27-14-11-49
eCl@ss 9.0	27-18-27-02
ETIM 8.0	EC002018
ETIM 7.0	EC002018
PU (SPU)	100 pcs
Packaging type	Box
Country of origin	DE
GTIN	4044918270403
Customs tariff number	85366990990

Environmental Product Compliance

RoHS Compliance Status	Compliant, No Exemption
------------------------	-------------------------

Downloads

Environmental Product Compliance

Compliance Search

Environmental Product Compliance 280-801



CAD/CAE-Data

CAD data

2D/3D Models 280-801



CAE data

WSCAD Universe 280-801



ZUKEN Portal 280-801



1 Compatible Products

1.1 Optional Accessories

1.1.1 Terminal blocks

1.1.1.1 Carrier terminal block for modules and plugs



Item No.: 280-616

2-conductor carrier terminal block; for DIN-rail 35 x 15 and 35 x 7.5; 2.5 mm²; CAGE CLAMP®; 2,50 mm²; gray



Item No.: 280-916

2-conductor carrier terminal block; for DIN-rail 35 x 15 and 35 x 7.5; 2.5 mm²; CAGE CLAMP®; 2,50 mm²; gray



Item No.: 280-610

3-conductor carrier terminal block; for DIN-rail 35 x 15 and 35 x 7.5; 2.5 mm²; CAGE CLAMP®; 2,50 mm²; gray



Item No.: 280-686

4-conductor carrier terminal block; for DIN-rail 35 x 15 and 35 x 7.5; 2.5 mm²; CAGE CLAMP®; 2,50 mm²; gray



Item No.: 280-816

4-conductor carrier terminal block; for DIN-rail 35 x 15 and 35 x 7.5; 2.5 mm²; CAGE CLAMP®; 2,50 mm²; gray