



Color :  Yellow

UPC Code : 078477967799

Country Of Origin : United States

RoHS Compliant : Yes

NEMA :  L15-20R

Available Colors :


Black

27W75

20 Amp, 250 Volt 3-Phase, NEMA L15-20R, 3P, 4W, Locking Connector, Industrial Grade, Grounding, Wetguard - YELLOW

Leviton's Wetguard line of industrial watertight wiring devices are the most versatile, well-engineered watertight devices on the market. They meet IP67 and NEMA ratings for water ingress protection, and offer many significant advantages over competitive brands.

Technical Information

Mechanical Specifications

Amperage : 20 A

Cord Grip Range (in) : .375-.875

Current Limiting : Full Rated Current

Dielectric Voltage : Withstands 2000V per UL498

Grounding : Grounding

Phase : 3-Phase

Pole : 3

Product ID : Ratings and NEMA I.D. permanently marked on device

Temperature Rise : Max 30C after 250 cycles OL at 200 percent rated current

Terminal Accom. : #16 to #10

Terminal ID : Brass-Hot, Green-Ground, Silver-Neutral

Torque Range : 12-14 in-lbs

Voltage : 250 VAC

Wire : 4

Environmental Specifications

Environment : Wet

Flammability : Rated V-2 per UL 94

IP Rating : IP66, IP67, IP69K

Operating Temperature : -40°C to 60°C

Material Specifications

Assembly Screws : Stainless Steel 300

Blades/Contacts : Nickel-Plated Brass

Body Interior : Nylon

Body Material : EPTR Rubber

Bushing : Santoprene TPV

Compression Nut, Strain Relief : Nylon

Terminal Screws : Electroless Nickel-coated Brass

Wire Module : Nylon

Product Features

Assembly Screws : Stainless Steel 300

Blades/Contacts : Nickel-Plated Brass

Body Material : EPTR Rubber

Brand : Wetguard

Color : Yellow

Device Type : Locking Connector

NEMA : L15-20R

Standards and Certifications : UL/CSA

Standards and Certifications

ANSI : C-73

CSA C22.2 No. 42 : File LR-406

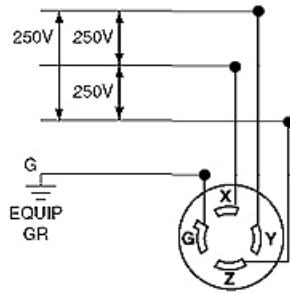
NEMA : WD-6

NOM : 057

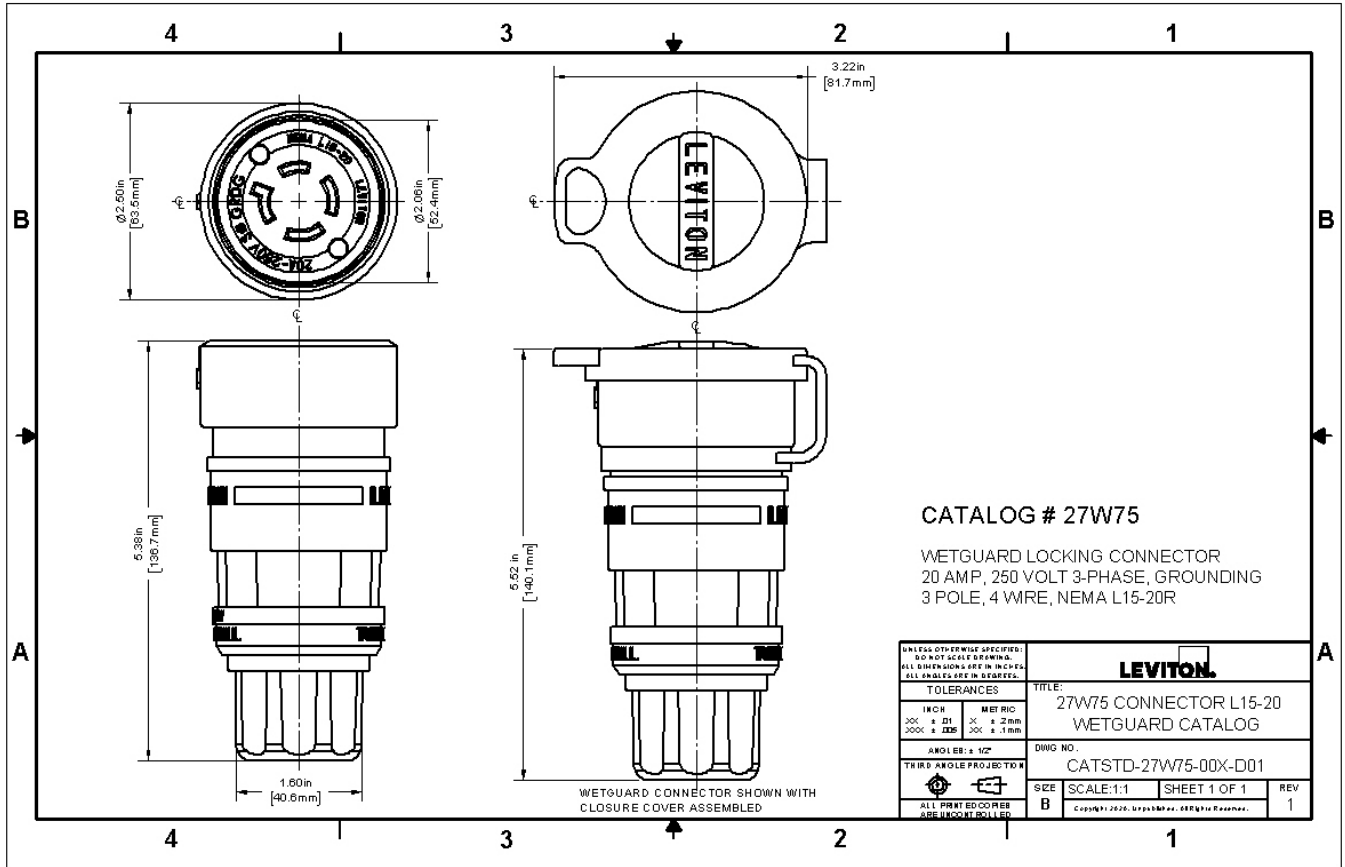
UL : 498

Warranty : Limited Lifetime Warranty

Wiring Diagram



L15-20R



CATALOG # 27W75

WETGUARD LOCKING CONNECTOR
20 AMP, 250 VOLT 3-PHASE, GROUNDING
3 POLE, 4 WIRE, NEMA L15-20R

<small>UNLESS OTHERWISE SPECIFIED: DO NOT SCALE DRAWING. ALL DIMENSIONS ARE IN INCHES. ALL ANGLES ARE IN DEGREES.</small>		LEVITON	
TOLERANCES <small>INCH METRIC</small> <small>XXX ± .01 X ± 2mm</small> <small>XXX ± .005 X ± .1mm</small>		TITLE: 27W75 CONNECTOR L15-20 WETGUARD CATALOG	
<small>THIRD ANGLE PROJECTION</small>		DWG NO.: CATSTD-27W75-00X-D01	
<small>ALL PRINT COPIES ARE UNCONTROLLED</small>		SIZE B	SCALE: 1:1 SHEET: 1 OF 1 <small>Copyright © 2016, Leviton Inc. All Rights Reserved.</small>
		REV	1

SPECIFICATION SUBMITTAL

JOB NAME: <input type="text"/>	CATALOG NUMBERS: <input type="text"/>	
JOB NUMBER: <input type="text"/>	<input type="text"/>	<input type="text"/>

Leviton Manufacturing Co., Inc.

201 North Service Road, Melville, NY 11747

Telephone: +1-800-323-8920 · FAX: +1-800-832-9538 · Tech Line (8:30AM-7:30PM E.S.T. Monday-Friday):
+1-800-824-3005

Leviton Manufacturing of Canada, Ltd.

165 Hymus Boulevard, Pointe Claire, Quebec H9R 1E9 · Telephone: +1-800-469-7890 ·

FAX: +1-800-824-3005 · www.leviton.com/canada

Leviton S. de R.L. de C.V.

Lago Tana 43, Mexico DF, Mexico CP 11290 · Tel.: (+52)55-5082-1040 · FAX: (+52)5386-

1797 · www.leviton.com.mx

Visit our Website at: www.leviton.com

© 2021 Leviton Manufacturing Co., Inc. All Rights Reserved. Subject to change without notice.

Leviton has a global presence.

If you would like to know where your local Leviton office is located please go to:

www.leviton.com/international/contacts/

