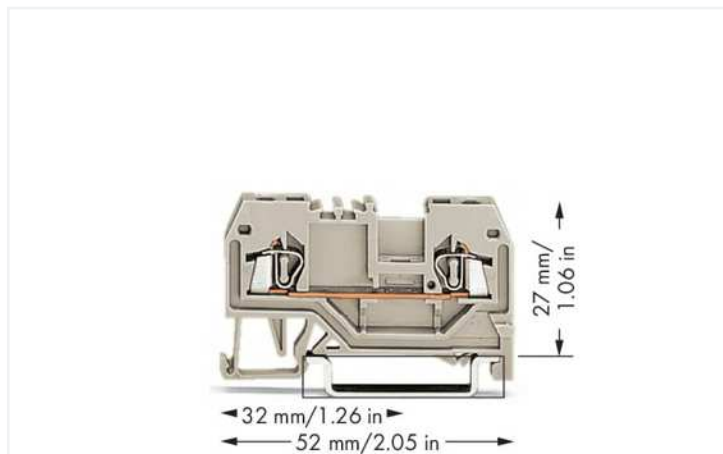


## Data Sheet | Item Number: 279-992

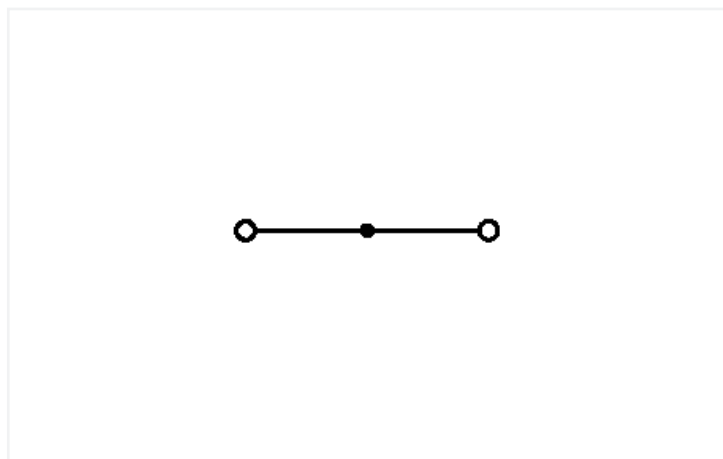
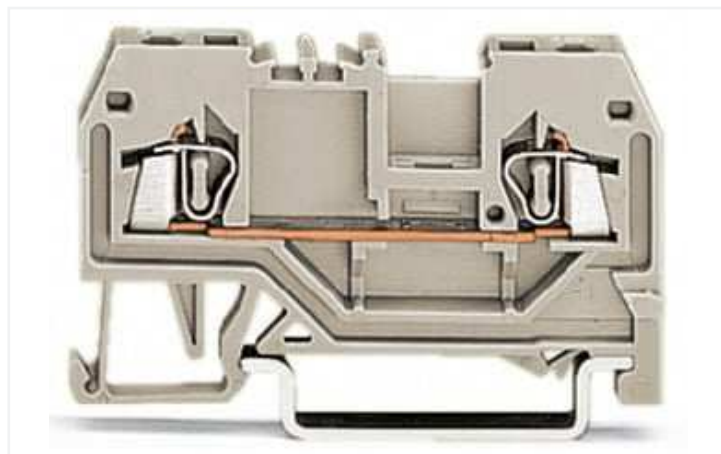
2-conductor through terminal block; 1.5 mm<sup>2</sup>; suitable for Ex e II applications; center marking; for DIN-rail 35 x 15 and 35 x 7.5; CAGE CLAMP®; 1,50 mm<sup>2</sup>; light gray



<https://www.wago.com/279-992>



Color:  light gray



Similar to illustration

### Electrical data

#### Ratings per IEC/EN

Ratings per IEC/EN 60947-7-1

#### Ratings per UL 1059

Approvals per UL 1059  
Rated voltage UL (Use Group C) 600 V  
Rated current UL (Use Group C) 10 A

#### Ratings per CSA

Approvals per CSA 22.2 No 158  
Rated voltage CSA (Use Group C) 600 V  
Rated current CSA (Use Group C) 10 A

#### Ex information

Reference hazardous areas See application instructions in section "Knowledge and Downloads – Documentation – Additional Information: Technical Section; Technical Explications"

Ratings per ATEX: PTB 00 ATEX 3113 U / IECEx: PTB 03.0004U (Ex eb IIC Gb or Ex eb I Mb)

Rated voltage EN (Ex e II) 550 V  
Rated current (Ex e II) 15 A

### Power loss

Power loss, per pole (potential)	0.4118 W
Rated current $I_N$ for specified power loss	15 A
Resistance value for specified, current-dependent power loss	0.00183 $\Omega$

### Connection data

Connection points	2	<b>Connection 1</b>	
Total number of potentials	1	Connection technology	CAGE CLAMP®
Number of levels	1	Actuation type	Operating tool
		Connectable conductor materials	Copper
		Solid conductor	0.08 ... 1.5 mm <sup>2</sup> / 28 ... 16 AWG
		Fine-stranded conductor	0.08 ... 1.5 mm <sup>2</sup> / 28 ... 16 AWG
		Strip length	8 ... 9 mm / 0.31 ... 0.35 inches
		Wiring direction	Front-entry wiring

### Physical data

Width	4 mm / 0.157 inches
Height	52 mm / 2.047 inches
Depth from upper-edge of DIN-rail	27 mm / 1.063 inches

### Mechanical data

Mounting type	DIN-35 rail
Marking level	Center marking

### Material data

Note (material data)	<a href="#">Information on material specifications can be found here</a>
Color	light gray
Material group	I
Insulation material	Polyamide (PA66)
Flammability class per UL94	V0
Fire load	0.084 MJ
Weight	4.2 g

### Environmental requirements

Processing temperature	-35 ... +85 °C
Continuous operating temperature	-60 ... +105 °C

### Commercial data

Product Group	1 (Rail Mounted Terminal Blocks)
eCl@ss 10.0	27-14-11-20
eCl@ss 9.0	27-14-11-20
ETIM 8.0	EC000897
ETIM 7.0	EC000897
PU (SPU)	100 pcs
Packaging type	Box
Country of origin	DE
GTIN	4044918524735
Customs tariff number	85369010000

1 Compatible Products

1.1 Required Accessories

1.1.1 End plate

1.1.1.1 End plate



**Item No.: 279-330**

End and intermediate plate; 2 mm thick;  
light gray



**Item No.: 209-191**

Separator for Ex e/Ex i applications; 3 mm  
thick; 120 mm wide; orange



**Item No.: 209-190**

Separator for Ex e/Ex i applications; 3 mm  
thick; 90 mm wide; orange



**Item No.: 279-331**

Separator plate; 2 mm thick; oversized;  
light gray