

D-SUB bus connector - SUBCON-PLUS F3



2761871

<https://www.phoenixcontact.com/pc/products/2761871>

Please be informed that the data shown in this PDF document is generated from our Online Catalog. Please find the complete data in the user documentation. Our General Terms of Use for Downloads are valid.



D-SUB connector, 9-pos. female connector, two cable entries < 35°, bus system: CANopen, FIP, pin assignment: 2, 3, 6, 7, 8, 9 to two screw connection terminal blocks

Your advantages

- Assembly under field conditions
- Separate terminal blocks for each cable
- High transmission speed
- Easy assembly thanks to knurled screws
- High level of EMC
- Flexibility in terms of cable entry selection
- Can be used universally
- Change to the D-SUB orientation through a reversible connection block

Commercial Data

Item number	2761871
Packing unit	1 pc
Minimum order quantity	1 pc
Sales Key	07
Product Key	DNC521
GTIN	4017918156299
Weight per Piece (including packing)	74.4 g
Weight per Piece (excluding packing)	61.4 g
Customs tariff number	85366990
Country of origin	DE

D-SUB bus connector - SUBCON-PLUS F3



2761871

<https://www.phoenixcontact.com/pc/products/2761871>

Technical Data

Notes

Utilization restriction

CCCex note	Use in potentially explosive areas is not permitted in China.
------------	---

Product properties

Product type	Data plug
MTTF	6706 Years (SN 29500 standard, temperature 25°C, operating cycle 21%)
	1817 Years (SN 29500 standard, temperature 40°C, operating cycle 34.25%)
	155 Years (SN 29500 standard, temperature 40°C, operating cycle 100%)
Pin assignment	2, 3, 6, 7, 8, 9 on two terminal blocks

Electrical properties

Nominal voltage U_N	50 V DC
Nominal current I_N	100 mA
Transmission medium	Copper

Connection data

D-SUB connection

Connection method	D-SUB socket
-------------------	--------------

PCB connection

Connection method	Screw connection
Stripping length	5 mm
Conductor cross section solid min.	0.14 mm ²
Conductor cross section solid max.	1.5 mm ²
Conductor cross section flexible min.	0.14 mm ²
Conductor cross section flexible max.	1 mm ²
Single-wire/terminal point, solid AWG min.	26
Single-wire/terminal point, solid AWG max.	16

Interfaces

Bus system	CANopen [®] , FIP
Signal	RS-485

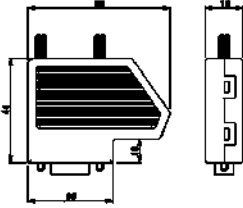
Dimensions

D-SUB bus connector - SUBCON-PLUS F3



2761871

<https://www.phoenixcontact.com/pc/products/2761871>

Dimensional drawing	
Width	16 mm
Height	44 mm
Length	60 mm

Material specifications

Material	ABS, metal-plated (Housing)
----------	-----------------------------

Cable / line

External cable diameter	6 mm ... 10 mm (Incoming bus line)
-------------------------	------------------------------------

Mechanical properties

Mechanical data

Insertion/withdrawal cycles	> 200
-----------------------------	-------

Environmental and real-life conditions

Ambient conditions

Degree of protection	IP40
Ambient temperature (operation)	-20 °C ... 75 °C
Ambient temperature (storage/transport)	-25 °C ... 80 °C
Altitude	≤ 5000 m (For restrictions, see the manufacturer's declaration for altitude operation)
Permissible humidity (operation)	10 % ... 95 % (non-condensing)
Permissible humidity (storage/transport)	5 % ... 95 % (non-condensing)

Approval data

EAC

Identification	EAC
----------------	-----

ATEX

Identification	<input type="checkbox"/> II 3 G Ex nA IIC T4 Gc X
Note	Please follow the special installation instructions in the documentation!

Corrosive gas test

Identification	ISA-S71.04-1985 G3 Harsh Group A
----------------	----------------------------------

Standards and regulations

D-SUB bus connector - SUBCON-PLUS F3



2761871

<https://www.phoenixcontact.com/pc/products/2761871>

Free from substances that could impair the application of coating

in accordance with VW-AUDI-Seat central standard P-VW 3.10.7
57 65 0

D-SUB bus connector - SUBCON-PLUS F3

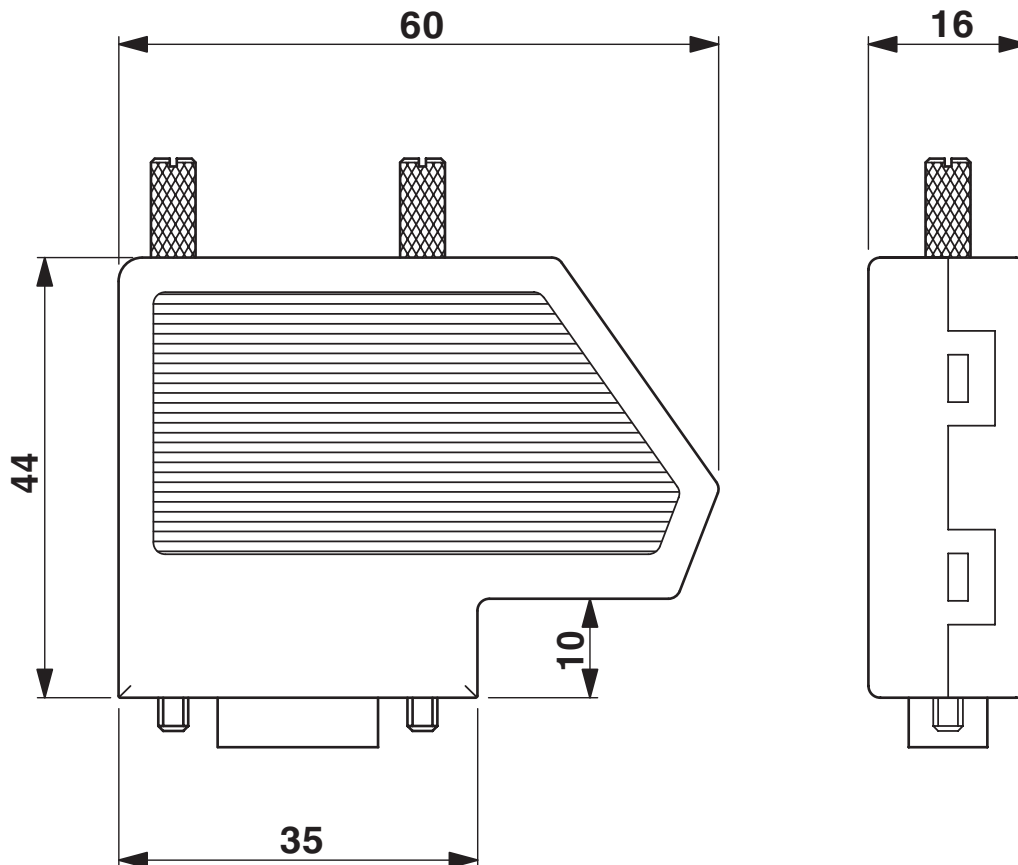
2761871

<https://www.phoenixcontact.com/pc/products/2761871>



Drawings

Dimensional drawing



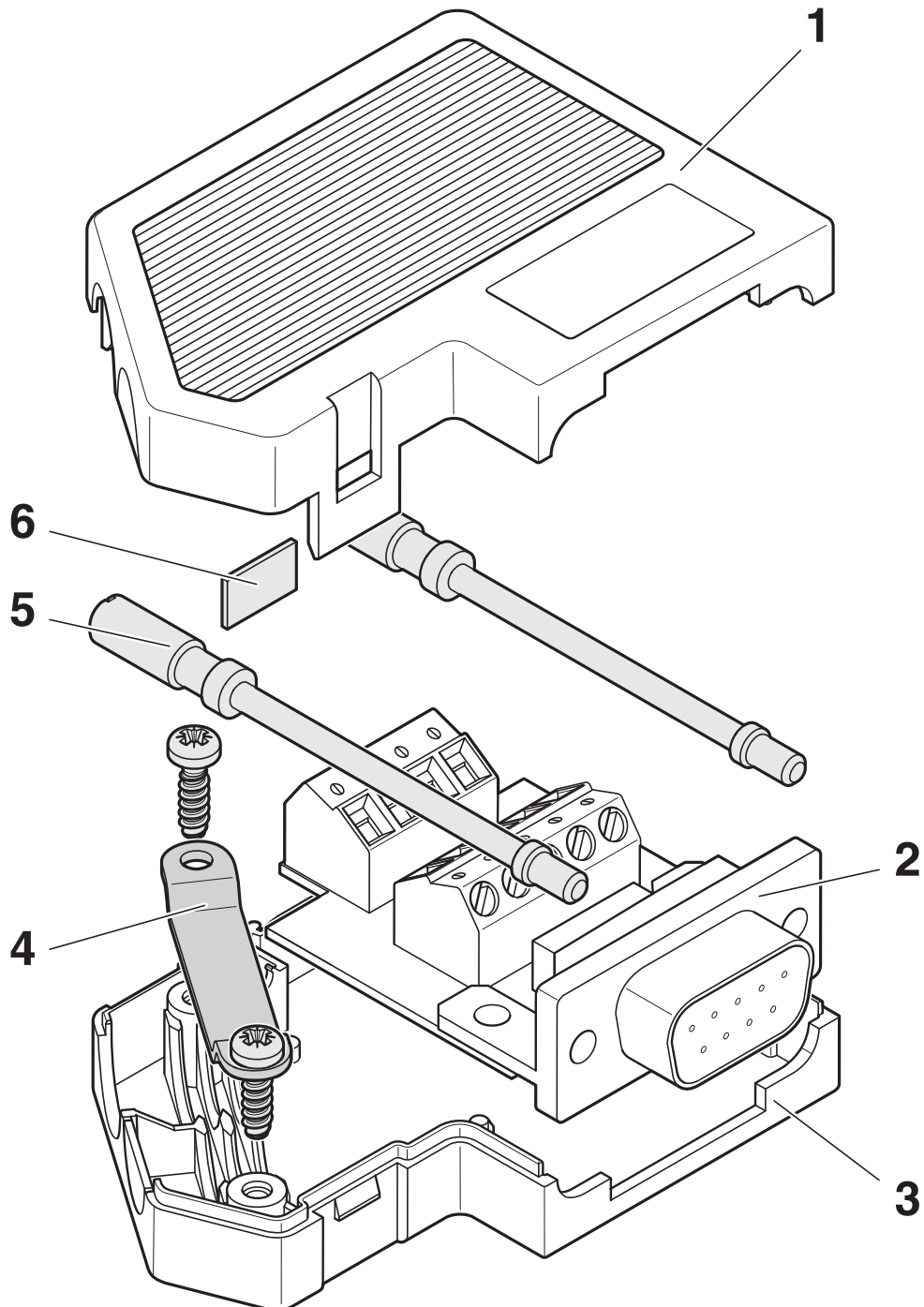
Dimensional drawing SUBCON-PLUS...

D-SUB bus connector - SUBCON-PLUS F3

2761871

<https://www.phoenixcontact.com/pc/products/2761871>

Schematic diagram



Function elements

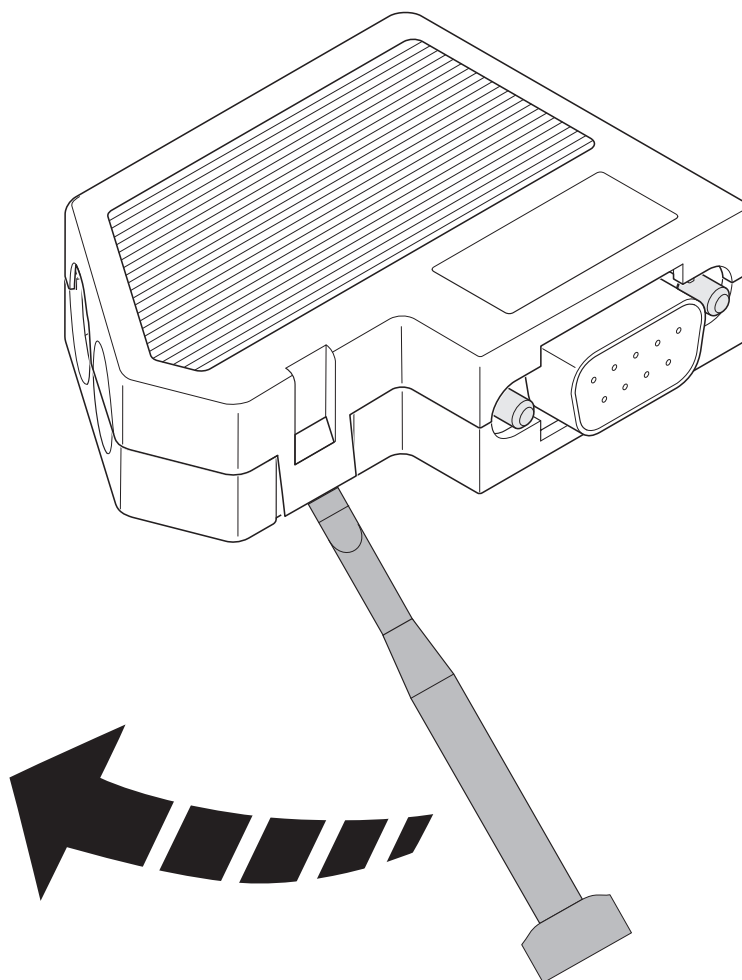
D-SUB bus connector - SUBCON-PLUS F3

2761871

<https://www.phoenixcontact.com/pc/products/2761871>



Schematic diagram



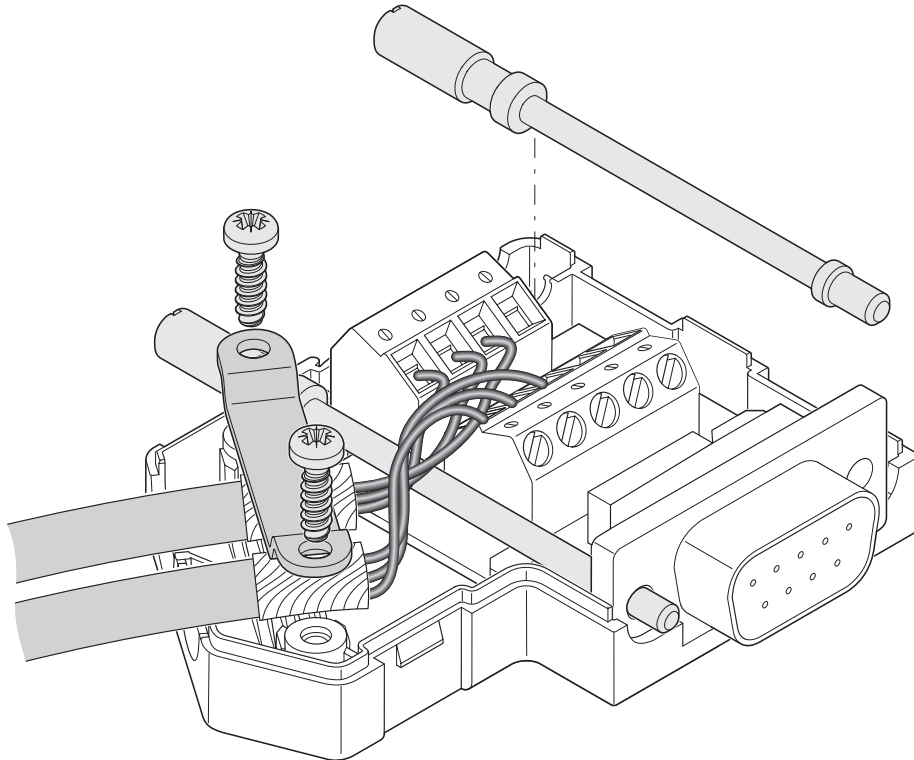
Opening the housing

D-SUB bus connector - SUBCON-PLUS F3

2761871

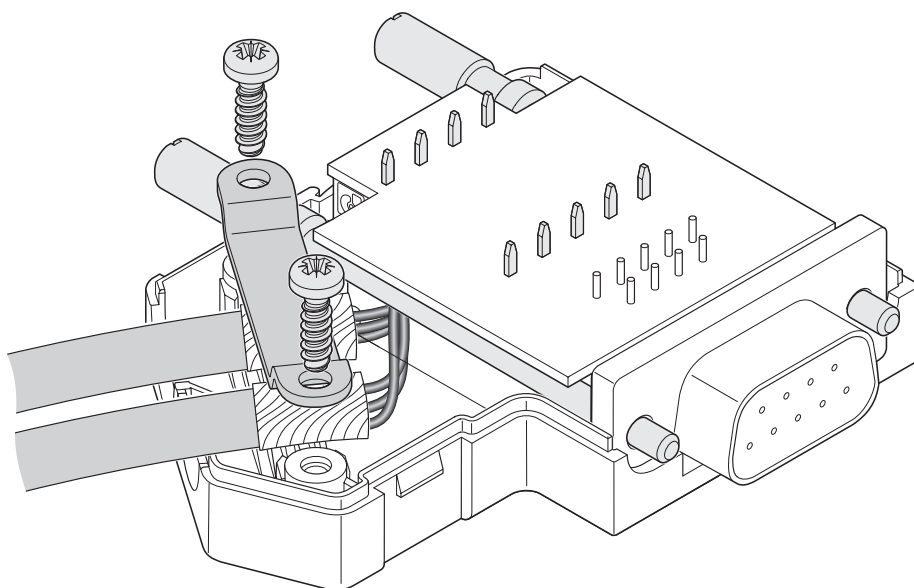
<https://www.phoenixcontact.com/pc/products/2761871>

Schematic diagram



Left-hand side cable entry

Schematic diagram



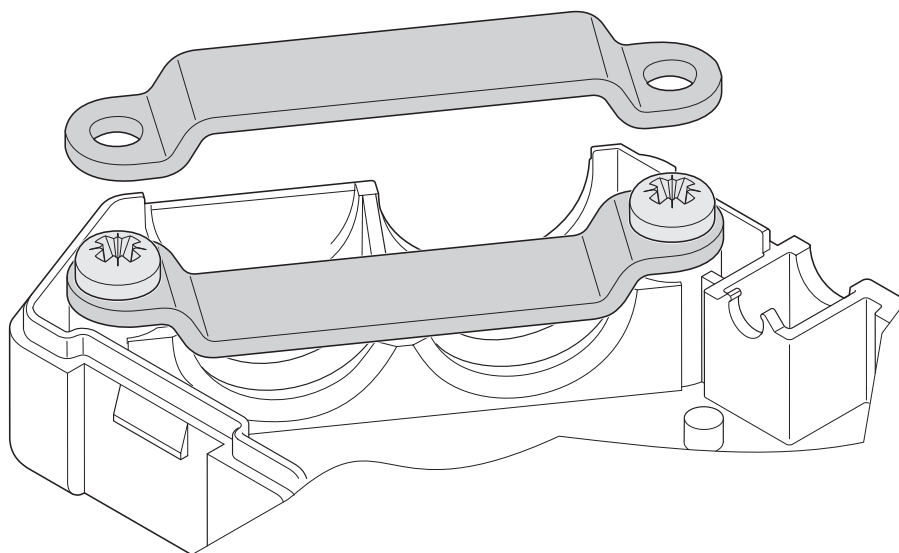
Right-hand side cable entry

D-SUB bus connector - SUBCON-PLUS F3

2761871

<https://www.phoenixcontact.com/pc/products/2761871>

Schematic diagram



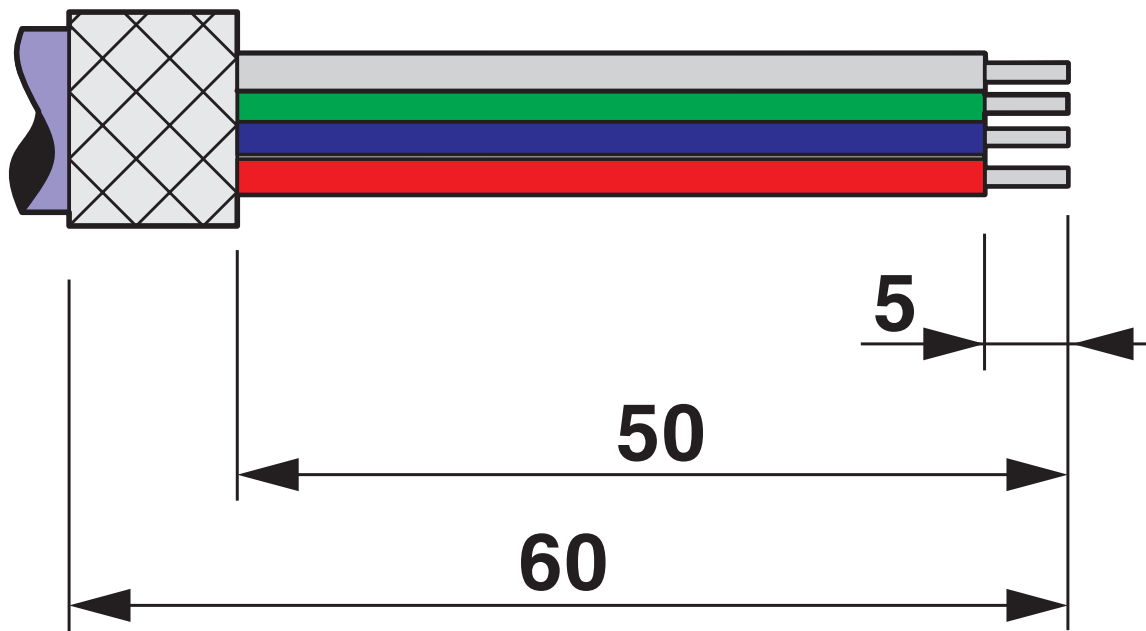
Clip bracket

D-SUB bus connector - SUBCON-PLUS F3

2761871

<https://www.phoenixcontact.com/pc/products/2761871>

Schematic diagram



Stripping specifications

D-SUB bus connector - SUBCON-PLUS F3




2761871

<https://www.phoenixcontact.com/pc/products/2761871>

Approvals

 cUL Recognized Approval ID: FILE E 238705				
	Nominal Voltage U_N	Nominal Current I_N	Cross Section AWG	Cross Section mm^2
			-	-

 UL Recognized Approval ID: FILE E 238705				
	Nominal Voltage U_N	Nominal Current I_N	Cross Section AWG	Cross Section mm^2
			-	-

 ATEX Approval ID: PxCIF14ATEX2744267X				
---	--	--	--	--

cULus Recognized				
-------------------------	--	--	--	--

D-SUB bus connector - SUBCON-PLUS F3



2761871

<https://www.phoenixcontact.com/pc/products/2761871>

Classifications

ECLASS

ECLASS-9.0	27440302
ECLASS-10.0.1	27440302
ECLASS-11.0	27440302

ETIM

ETIM 8.0	EC001132
----------	----------

UNSPSC

UNSPSC 21.0	39121400
-------------	----------

D-SUB bus connector - SUBCON-PLUS F3



2761871

<https://www.phoenixcontact.com/pc/products/2761871>

Environmental Product Compliance

China RoHS	Environmentally friendly use period: unlimited = EFUP-e
	No hazardous substances above threshold values

D-SUB bus connector - SUBCON-PLUS F3



2761871

<https://www.phoenixcontact.com/pc/products/2761871>

Accessories

Screw

Screw - SUBCON-SHORT-SCREW - 2799694

<https://www.phoenixcontact.com/pc/products/2799694>



Optional mounting screw, without knurl for narrow installation conditions, slotted head, length: 40 mm, UNC 4-40 thread Supplied as standard: 1 bag of 20 screws

Screwdriver

Screwdriver - SZF 0-0,4X2,5 - 1204504

<https://www.phoenixcontact.com/pc/products/1204504>



Actuation tool, for ST terminal blocks, also suitable for use as a bladed screwdriver, size: 0.4 x 2.5 x 75 mm, 2-component grip, with non-slip grip

D-SUB bus connector - SUBCON-PLUS F3



2761871

<https://www.phoenixcontact.com/pc/products/2761871>

D-SUB gender changer

D-SUB gender changer - VS-09-GC-ST/ST - 1652651

<https://www.phoenixcontact.com/pc/products/1652651>

D-SUB contact insert, shell size 1, with nine signal contacts, type of contact pin, gender changer, fixing with 4-40 UNC thread



Screw

Screw - SUBCON-RAENDEL-SCREW-3MM - 2310387

<https://www.phoenixcontact.com/pc/products/2310387>



Optional mounting screw, with knurl for mounting by hand or using a screwdriver, bladed, length: 56 mm, metric M3 thread

Phoenix Contact 2023 © - all rights reserved

<https://www.phoenixcontact.com>

PHOENIX CONTACT GmbH & Co. KG

Flachsmarktstraße 8

D-32825 Blomberg

+49 (0) 5235-3 00

info@phoenixcontact.com