

Electronic housing - EFG 45-LG/BS GY - 2757474


Please be informed that the data shown in this PDF Document is generated from our Online Catalog. Please find the complete data in the user's documentation. Our General Terms of Use for Downloads are valid (<http://phoenixcontact.com/download>)



Electronics housing, for insertion of two PCBs, without screw connection terminal blocks



Key Commercial Data

Packing unit	1 pc
Minimum order quantity	5 pc
GTIN	 4 017918 063566
Weight per Piece (excluding packing)	149.96 g
Custom tariff number	85472000
Country of origin	Germany

Technical data

General

Housing type	Complete housing
Housing material	Polycarbonate
Color	gray

Ambient conditions

Ambient temperature (operation)	-40 °C ... 125 °C
---------------------------------	-------------------

Dimensions

Length	118 mm
Constructional height	137.5 mm
Width	45 mm

Technical data

Flammability rating according to UL 94	V0
--	----

Electronic housing - EFG 45-LG/BS GY - 2757474

Technical data

Technical data

Power dissipation without gap	9.5 W
Power dissipation with 20 mm gap	11.5 W

Standards and Regulations

Flammability rating according to UL 94	V0
--	----

Classifications

eCl@ss

eCl@ss 4.0	27180401
eCl@ss 4.1	27180401
eCl@ss 5.0	27180506
eCl@ss 5.1	27180506
eCl@ss 6.0	27180802
eCl@ss 7.0	27182702
eCl@ss 8.0	27182702
eCl@ss 9.0	27182702

ETIM

ETIM 2.0	EC001031
ETIM 3.0	EC001031
ETIM 4.0	EC001031
ETIM 5.0	EC001031

UNSPSC

UNSPSC 6.01	31261501
UNSPSC 7.0901	31261501
UNSPSC 11	31261501
UNSPSC 12.01	31261501
UNSPSC 13.2	31261501

Approvals

Approvals

Approvals

UL Recognized

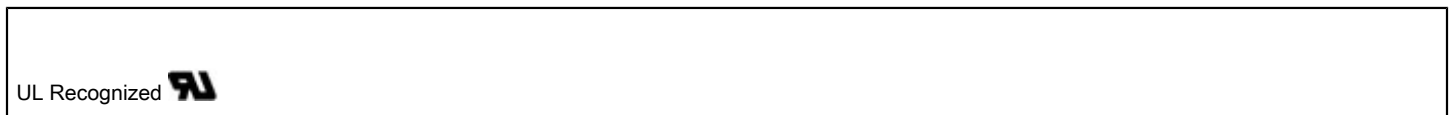
Electronic housing - EFG 45-LG/BS GY - 2757474

Approvals

Ex Approvals

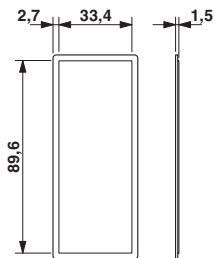
Approvals submitted

Approval details



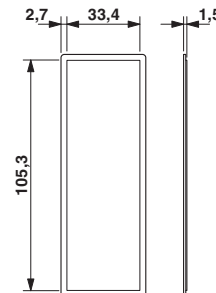
Drawings

Dimensional drawing



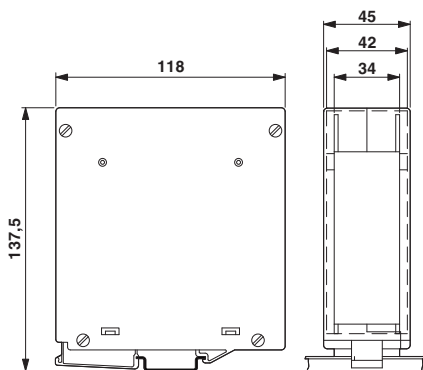
Side element (front and back)

Dimensional drawing

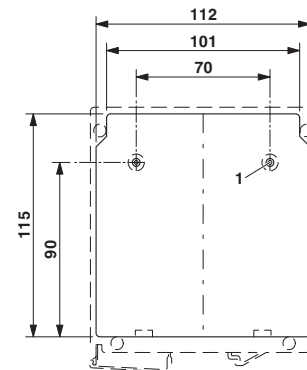


Cover element

Dimensional drawing



Dimensional drawing



1 = Diameter 3.2 mm for M3

