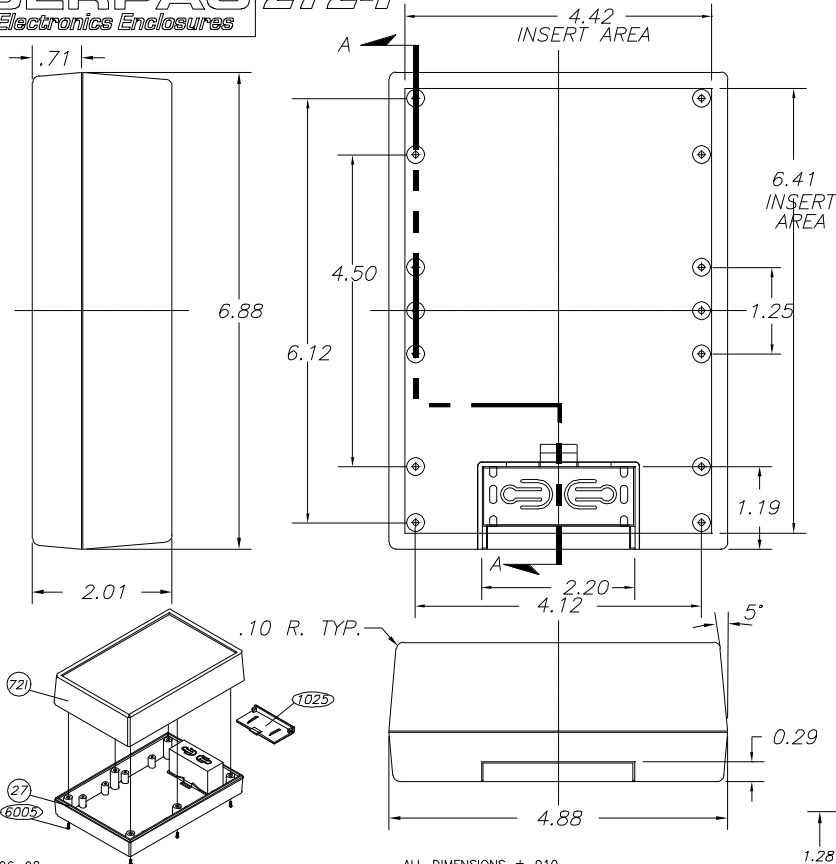
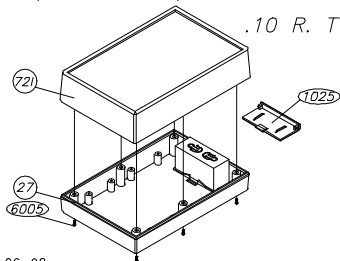
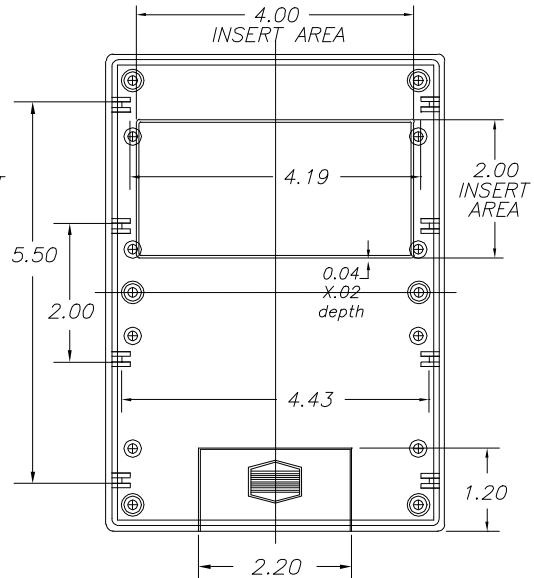


# SERPAC 272-1

Electronics Enclosures



**NOTES:**  
 1. WHEN MACHINE OR I PLATES MODIFICATIONS ARE REQUIRED, USE THE CENTER OF THE BOX TO DIMENSION.

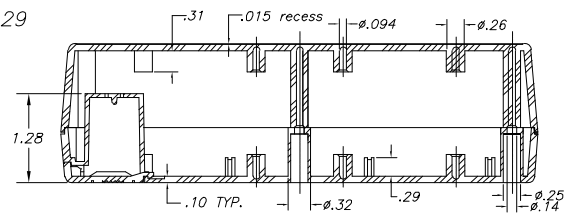


.10 R. TYP.

10-06-98

ALL DIMENSIONS ± .010

PART NO. DESCRIPTION		ACCESSORIES	
721	PLASTIC TOP	PART NO.	DESCRIPTION
27	PLASTIC BOTTOM	50	FEET
1025	PLASTIC BATTERY COVER	379	PROTOTYPE GRID BOARD (HORIZ.)
6005	SCREWS (6)	479	PROTOTYPE CLAD BOARD (HORIZ.)
		371	PROTOTYPE GRID BOARD (VERT.)
		471	PROTOTYPE CLAD BOARD (VERT.)



SECTION A-A