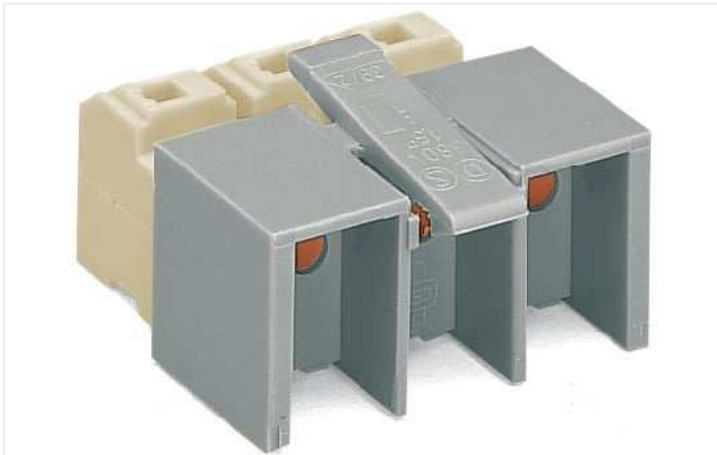


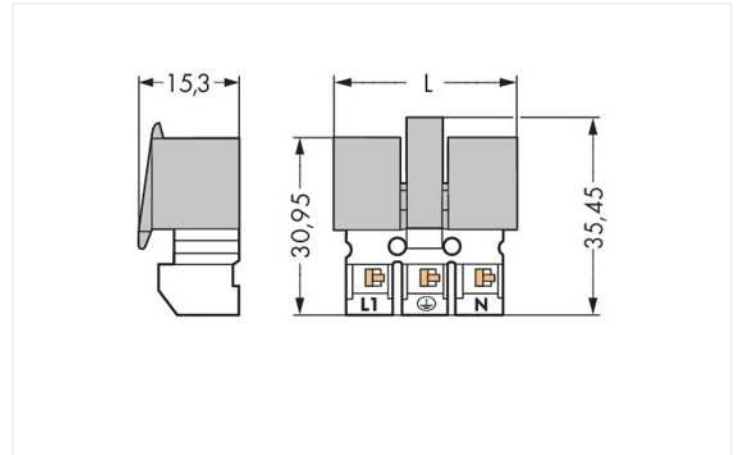
Data Sheet | Item Number: 272-403/272-489

Power supply connector; without ground contact; without push-buttons; without snap-in mounting feet; 3-pole; 2,50 mm²; white/gray

<https://www.wago.com/272-403/272-489>



Color: white/gray



Dimensions in mm

Electrical data

Ratings per IEC/EN

Ratings per	IEC/EN 60664-1
Rated voltage (III/2)	200 V
Rated impulse voltage (III/2)	4 kV
Nominal voltage (II/2)	400 V
Rated surge voltage (II/2)	4 kV
Rated current	16 A
Legend (ratings)	(III / 2) ≙ Overvoltage category III / Pollution degree 2

Connection data

Connection points	6
Total number of potentials	3
Number of connection types	1

Connection 1

Connection technology	PUSH WIRE®
Strip length	8 ... 9 mm / 0.31 ... 0.35 inches
Pole number	3

Physical data

Width	33 mm / 1.299 inches
Height	15.3 mm / 0.602 inches
Depth	35.95 mm / 1.415 inches

Material Data

Note (material data)

[Information on material specifications can be found here](#)

Color white/gray

Material group I

Insulation material Polyamide (PA66)

Flammability class per UL94 V2

Fire load 0.399 MJ

Weight 12.1 g

Commercial data

Product Group 8 (Misc. Chassis Mount Blocks)

eCl@ss 10.0 27-44-03-14

eCl@ss 9.0 27-44-03-14

ETIM 8.0 EC000458

ETIM 7.0 EC000458

PU (SPU) 500 pcs

Packaging type Bag

Country of origin DE

GTIN 4044918406178

Customs tariff number 85369010000

Approvals / Certificates

General approvals



Approval	Standard	Certificate Name
----------	----------	------------------

CSA DEKRA Certification B.V.	C22.2 No. 158	70048844
---------------------------------	---------------	----------

Downloads

Environmental Product Compliance


Compliance Search

Environmental Product
Compliance
272-403/272-489



Documentation

Additional Information

Technical Section	03.04.2019	pdf 1949.09 KB	
-------------------	------------	-------------------	---

CAD/CAE-Data

CAD data	
2D/3D Models 272-403/272-489	↓

CAE data	
EPLAN Data Portal 272-403/272-489	↓
WSCAD Universe 272-403/272-489	↓
ZUKEN Portal 272-403/272-489	↓

1 Compatible Products

1.1 Optional Accessories

1.1.1 Ferrule

1.1.1.1 Pin terminal



Item No.: 209-157
Pin terminals; insulated; suitable for 271 and 272 Series; blue



Item No.: 209-151
Pin terminals; insulated; suitable for 271 and 272 Series; green



Item No.: 209-164
Pin terminals; insulated; suitable for 271 and 272 Series; natural

1.1.2 Installation

1.1.2.1 Mounting accessories



Item No.: 271-702
Pins; for plate thickness 1 mm



Item No.: 271-711
Pins; for plate thickness 1 mm



Item No.: 271-712
Pins; for plate thickness 1.5 mm

1.1.3 Strain relief

1.1.3.1 Strain relief housing



Item No.: 272-497
Strain relief housing; for 272 Series; for multicore cables; 3-pole; white



Item No.: 272-494
Strain relief housing; for 272 Series; for single strands; 3-pole; white



Item No.: 272-492
Strain relief support; for 272 Series; for multicore cables; 3-pole; with clamp; white