

# FO connectors - PSM-SET-SCRJ-DUP/2-POF



2708656

<https://www.phoenixcontact.com/pc/products/2708656>

Please be informed that the data shown in this PDF document is generated from our Online Catalog. Please find the complete data in the user documentation. Our General Terms of Use for Downloads are valid.

SC-RJ connector set for polymer fiber, for self assembly, consisting of 2 duplex quick mounting connectors with bending protection



## Product Description

SC-RJ fiber optic connector, IP20, duplex, with fast connection technology, for polymer fiber 980/1000  $\mu\text{m}$ , for individual wire diameter 2.2 mm

## Your advantages

- Compact design, thanks to SC-RJ pin connector pattern
- Outstanding transmission properties
- Suitable for quick and easy field assembly or repair
- No bonding or polishing
- Flexible application, thanks to reusable connectors

## Commercial Data

Item number	2708656
Packing unit	1 pc
Minimum order quantity	1 pc
Product Key	ABNACA
Catalog Page	Page 379 (C-8-2015)
GTIN	4046356123327
Weight per Piece (including packing)	37.42 g
Weight per Piece (excluding packing)	19.4 g
Customs tariff number	85366990
Country of origin	DE

## Technical Data

### Notes

General	This product corresponds to the PROFINET Cabling and Interconnection Technology Guideline for PROFINET regulations, version 2.00, order no: 2.252, Chapter 8.3 Connectors for inside environment (optical fibre)
---------	--

### Product properties

Type	SC-RJ
Product type	Fiber optic connector (cable side)
Number of positions	2
Application	neutral
Type	SC-RJ
Cable outlet	straight

### Electrical properties

Attenuation	< 1.5 dB (Insertion attenuation)
Transmission medium	FO

### Dimensions

#### Mechanical characteristics

Ferrule diameter	2.50 mm
------------------	---------

### Material specifications

Flammability rating according to UL 94	V0
Housing surface material	Nickel-plated
Housing material	Metal

### Cable / line

Cable type	Plastic fiber
------------	---------------

#### FO cable

Number of fibers	2
Fiber	POF, PCF, GOF
Fiber type	GOF, PCF, POF
Transmission medium	FO

### Characteristics

Attenuation	< 1.5 dB (Insertion attenuation)
-------------	----------------------------------

### Environmental and real-life conditions

#### Ambient conditions

Degree of protection	IP20
----------------------	------

# FO connectors - PSM-SET-SCRJ-DUP/2-POF



2708656

<https://www.phoenixcontact.com/pc/products/2708656>

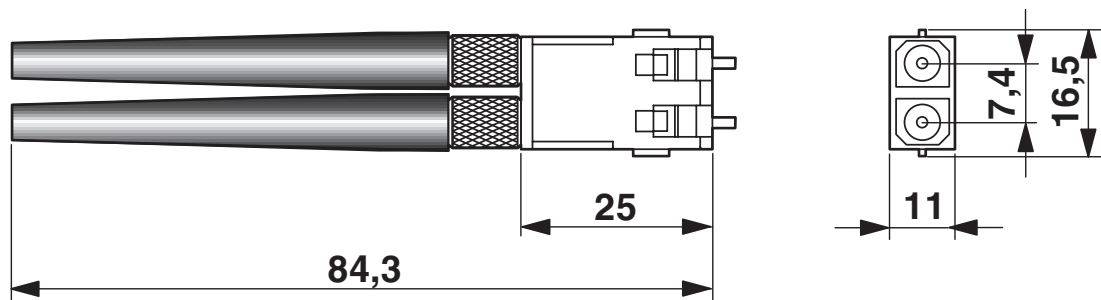
Ambient temperature (operation)	-25 °C ... 70 °C
Ambient temperature (storage/transport)	-25 °C ... 70 °C
Ambient temperature (assembly)	0 °C ... 50 °C

## Drawings

Schematic diagram



Dimensional drawing



SC-RJ connector IP20

# FO connectors - PSM-SET-SCRJ-DUP/2-POF



2708656

<https://www.phoenixcontact.com/pc/products/2708656>

## Approvals



**EAC**

Approval ID: B.01687

# FO connectors - PSM-SET-SCRJ-DUP/2-POF



2708656

<https://www.phoenixcontact.com/pc/products/2708656>

## Classifications

### ECLASS

ECLASS-9.0	19170122
ECLASS-10.0.1	19170122
ECLASS-11.0	19170122

### ETIM

ETIM 8.0	EC001122
----------	----------

### UNSPSC

UNSPSC 21.0	43223300
-------------	----------

# FO connectors - PSM-SET-SCRJ-DUP/2-POF



2708656

<https://www.phoenixcontact.com/pc/products/2708656>

## Environmental Product Compliance

China RoHS	Environmentally Friendly Use Period = 50 years For information on hazardous substances, refer to the manufacturer's declaration available under "Downloads"
------------	--

# FO connectors - PSM-SET-SCRJ-DUP/2-POF

2708656

<https://www.phoenixcontact.com/pc/products/2708656>

## Accessories

### FO cable

FO cable - PSM-LWL-KDHEAVY-980/1000 - 2744319

<https://www.phoenixcontact.com/pc/products/2744319>



Polymer fiber cable, duplex 980  $\mu\text{m}$ /1000  $\mu\text{m}$ , medium-weight version for installation in stationary systems and machines, by the meter without male connector

---

### FO cable

FO cable - PSM-LWL-RUGGED-980/1000 - 2744322

<https://www.phoenixcontact.com/pc/products/2744322>



Polymer fiber cable, duplex 980 $\mu\text{m}$ /1000 $\mu\text{m}$ , heavy-weight version for installation in stationary systems and machines, by the meter without male connector

# FO connectors - PSM-SET-SCRJ-DUP/2-POF

2708656

<https://www.phoenixcontact.com/pc/products/2708656>

## FO cable

FO cable - PSM-LWL-RUGGED-FLEX-980/1000 - 2744335

<https://www.phoenixcontact.com/pc/products/2744335>



Polymer fiber cable, duplex 980/1000  $\mu\text{m}$ , heavy-weight, highly flexible version for flexible conduit applications, by the meter, without connector

---

## FO cable

FO cable - FL FOC PN-B-980/1000 - 2313397

<https://www.phoenixcontact.com/pc/products/2313397>



PROFINET polymer fiber cable, duplex 980  $\mu\text{m}$ /1000  $\mu\text{m}$ , heavy-weight design, for installation in stationary systems and machines, by the meter, without male connector

# FO connectors - PSM-SET-SCRJ-DUP/2-POF

2708656

<https://www.phoenixcontact.com/pc/products/2708656>

## FO cable

FO cable - FL FOC PN-C-FLEX-980/1000 - 2313407

<https://www.phoenixcontact.com/pc/products/2313407>



PROFINET polymer fiber cable, duplex, 980/1000 µm, heavy-weight highly flexible design, for flexible cable conduit applications, by the meter, without connector

---

## FO patch cable

FO patch cable - FOC-RUGGED-1012/IP20/... - 2901548

<https://www.phoenixcontact.com/pc/products/2901548>



Robust POF installation cable for assembly (IP20 heads only) for installation in stationary systems and machines with individual elements made of polyamide (PA), halogen-free, ozone and UV resistant, with reinforced polyurethane (PUR) outer sheath

# FO connectors - PSM-SET-SCRJ-DUP/2-POF

2708656

<https://www.phoenixcontact.com/pc/products/2708656>

## FO patch cable

FO patch cable - FOC-RUGGED-FLEX-1013/IP20/... - 2901549

<https://www.phoenixcontact.com/pc/products/2901549>



Highly flexible POF round cable (IP20 heads only) for use in drag chains. Individual elements made from extremely wear-resistant polyamide (PA). The cable is halogen-free, ozone and UV resistant, and has a rugged polyurethane (PUR) outer sheath.

---

## FO patch cable

FO patch cable - FOC-PN-B-1000/IP20/... - 2901551

<https://www.phoenixcontact.com/pc/products/2901551>



POF PROFINET installation cable for assembly (IP20 heads only) for installation in stationary systems and machines, individual elements of polyamide (PA), halogen-free, ozone- and UV-resistant, with reinforced polyurethane (PUR) outer sheath

# FO connectors - PSM-SET-SCRJ-DUP/2-POF

2708656

<https://www.phoenixcontact.com/pc/products/2708656>

## FO patch cable

FO patch cable - FOC-PN-C-1003/IP20/? - 2901552

<https://www.phoenixcontact.com/pc/products/2901552>



Highly flexible POF PROFINET cable (IP20 heads only) for use in drag chains. Individual elements made from extremely wear-resistant polyamide (PA). The cable is halogen-free, ozone and UV resistant, and has a rugged polyurethane (PUR) outer sheath.

---

## FO patch cable

FO patch cable - FOC-KDHEAVY-1011/IP20/... - 2901553

<https://www.phoenixcontact.com/pc/products/2901553>



POF installation cable for assembly (IP20 heads only) for installation in stationary systems and machines with individual elements made of polyamide (PA), halogen-free, ozone and UV resistant, with a polyurethane (PUR) outer sheath

# FO connectors - PSM-SET-SCRJ-DUP/2-POF

2708656

<https://www.phoenixcontact.com/pc/products/2708656>

## SC-RJ female insert

SC-RJ female insert - VS-SCRJ-GOF-BU/BU - 1652978

<https://www.phoenixcontact.com/pc/products/1652978>



SC-RJ socket insert, duplex, for VS-A-F-IP67 panel mounting frame, can be used for fiberglass (multi-mode and single mode), PCF, and polymer fibers

---

## FO accessories

FO accessories - FOC-TOOL-FERRULECLEANER-2.50 - 1407029

<https://www.phoenixcontact.com/pc/products/1407029>



2.50 mm ferrule cleaner, for ST, SC, FC, E2000 (also APC), approx. 500 cleaning cycles

# FO connectors - PSM-SET-SCRJ-DUP/2-POF



2708656

<https://www.phoenixcontact.com/pc/products/2708656>

## FO accessories

FO accessories - VS-SCRJ-POF-KONFTOOL-POLISH - 1658820

<https://www.phoenixcontact.com/pc/products/1658820>



SC-RJ polishing tool set, for polymer fiber, for field assembly of the SC-RJ connector (IP20/IP67) with fast connection technology, with stripping tool, diagonal cutter, aramid scissors, polishing materials, microscope, 2x SC-RJ connector IP20

## FO accessories

FO accessories - VS-SCRJ-POF-POLISH - 1656673

<https://www.phoenixcontact.com/pc/products/1656673>



Refilling set for VS-SC-RJ-POF-KONFTOOL-POLISH, consisting of two polishing discs and a polisher

Phoenix Contact 2022 © - all rights reserved  
<https://www.phoenixcontact.com>

PHOENIX CONTACT GmbH & Co. KG  
Flachsmarktstraße 8  
D-32825 Blomberg  
+49 (0) 5235-3 00  
[info@phoenixcontact.com](mailto:info@phoenixcontact.com)