

# SUBCON 15HD/M - D-SUB connector



2708546

<https://www.phoenixcontact.com/de/produkte/2708546>

Please be informed that the data shown in this PDF document is generated from our Online Catalog. Please find the complete data in the user documentation. Our General Terms of Use for Downloads are valid.



D-SUB connector, 15-pos. HD (High Density), male, one 35° cable entry, universal type for all systems, pin assignment: 1, 2, 3, 6, 7, 8, 10, 13, 14 to screw connection terminal block

## Your advantages

- Change to the D-SUB orientation through a reversible connection block

## Commercial Data

Item number	2708546
Packing unit	1 pc
Minimum order quantity	1 pc
Sales Key	M1 - Kommunikationstechn.
Product Key	DNC512
GTIN	4017918942144
Weight per Piece (including packing)	43,266 g
Weight per Piece (excluding packing)	27,47 g
Customs tariff number	85366990
Country of origin	DE

# SUBCON 15HD/M - D-SUB connector



2708546

<https://www.phoenixcontact.com/de/produkte/2708546>

## Technical Data

### Product properties

Product type	Data plug
MTTF	6706 Years (SN 29500 standard, temperature 25°C, operating cycle 21%)
	1817 Years (SN 29500 standard, temperature 40°C, operating cycle 34.25%)
	155 Years (SN 29500 standard, temperature 40°C, operating cycle 100%)

### Electrical properties

Nominal voltage $U_N$	24 V AC/DC
-----------------------	------------

### Connection data

#### D-SUB connection

Connection method	High density D-SUB pin strip
-------------------	------------------------------

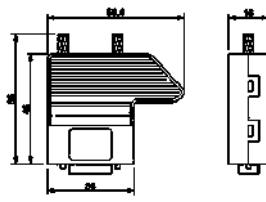
#### PCB connection

Connection method	Screw connection
Stripping length	5 mm
Conductor cross section, rigid min.	0.14 mm <sup>2</sup>
Conductor cross section, rigid max.	1.5 mm <sup>2</sup>
Conductor cross section flexible min.	0.14 mm <sup>2</sup>
Conductor cross section flexible max.	1 mm <sup>2</sup>
Single-wire/terminal point, rigid AWG min.	26
Single-wire/terminal point, rigid AWG max.	16
Min. AWG conductor cross section, flexible	26
Max. AWG conductor cross section, flexible	18

### Interfaces

Signal	VGA
--------	-----

### Dimensions

Dimensional drawing	
Width	16 mm
Height	55 mm
Length	56.5 mm

# SUBCON 15HD/M - D-SUB connector



2708546

<https://www.phoenixcontact.com/de/produkte/2708546>

## Material specifications

Material (GRP)	ABS, metal-plated
----------------	-------------------

## Mechanical properties

### Mechanical data

Insertion/withdrawal cycles	≥ 200
-----------------------------	-------

## Environmental and real-life conditions

### Ambient conditions

Degree of protection	IP20
Ambient temperature (operation)	-20 °C ... 75 °C
Ambient temperature (storage/transport)	-25 °C ... 80 °C
Altitude	≤ 5000 m (For restrictions, see the manufacturer's declaration for altitude operation)
Permissible humidity (operation)	10 % ... 95 % (non-condensing)
Permissible humidity (storage/transport)	5 % ... 95 % (non-condensing)

## Approvals

### EAC

Identification	EAC
----------------	-----

### Corrosive gas test

Identification	ISA-S71.04-1985 G3 Harsh Group A
----------------	----------------------------------

## Standards and regulations

Free from substances that could impair the application of coating	in accordance with VW-AUDI-Seat central standard P-VW 3.10.7 57 65 0
---	--

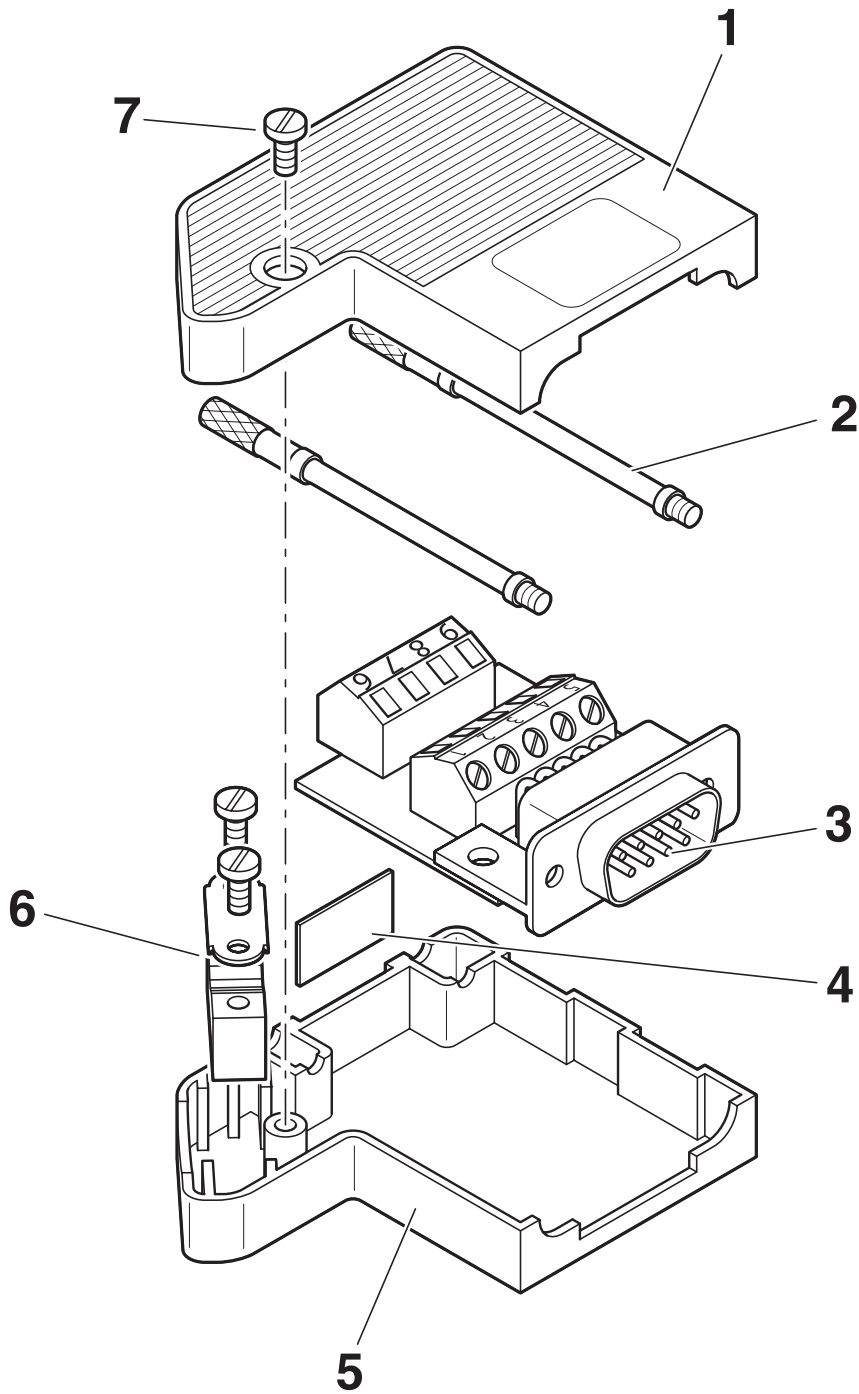
# SUBCON 15HD/M - D-SUB connector

2708546

<https://www.phoenixcontact.com/de/produkte/2708546>

## Drawings

Schematic diagram



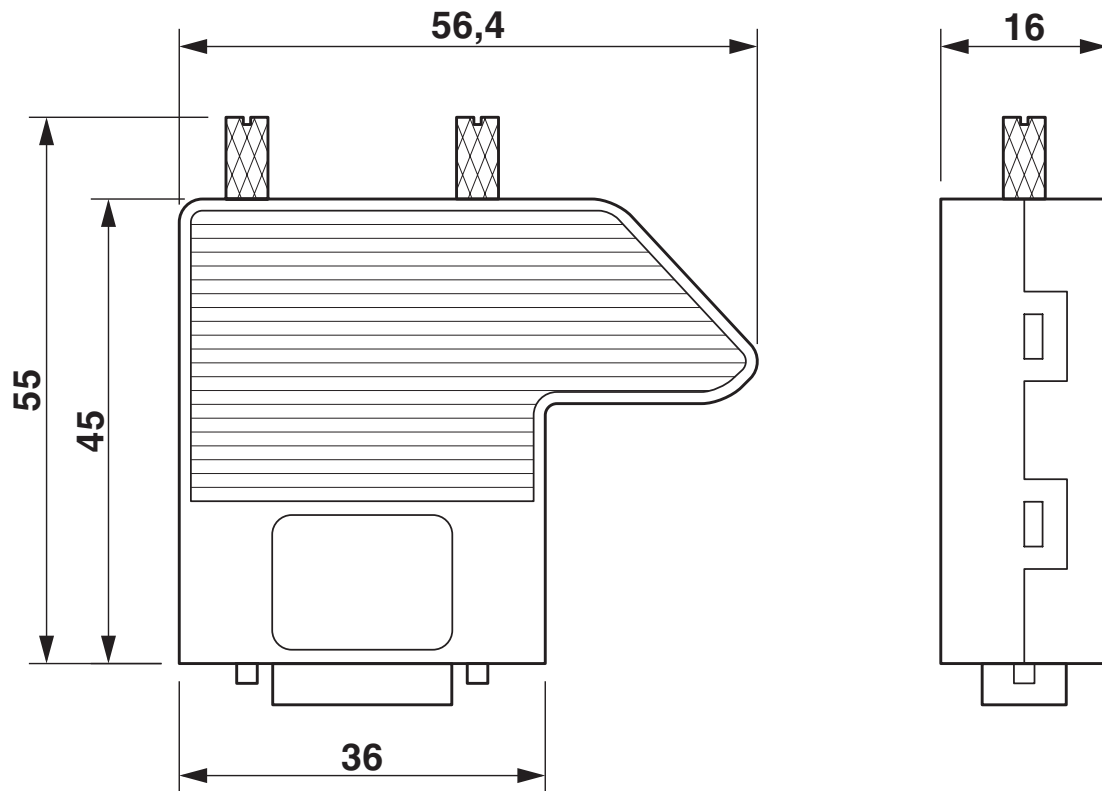
## Function elements

# SUBCON 15HD/M - D-SUB connector

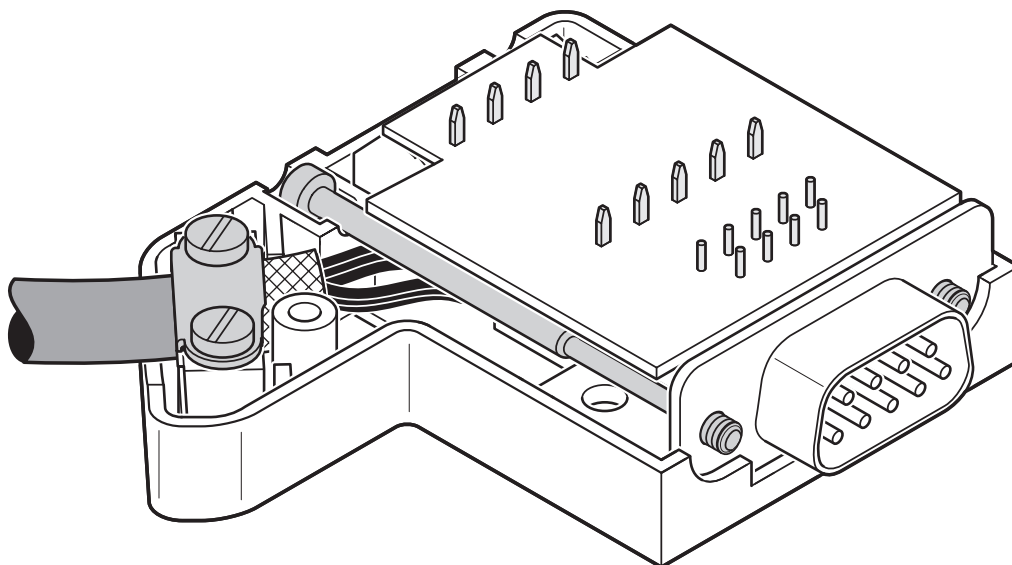
2708546

<https://www.phoenixcontact.com/de/produkte/2708546>

Dimensional drawing



Schematic diagram



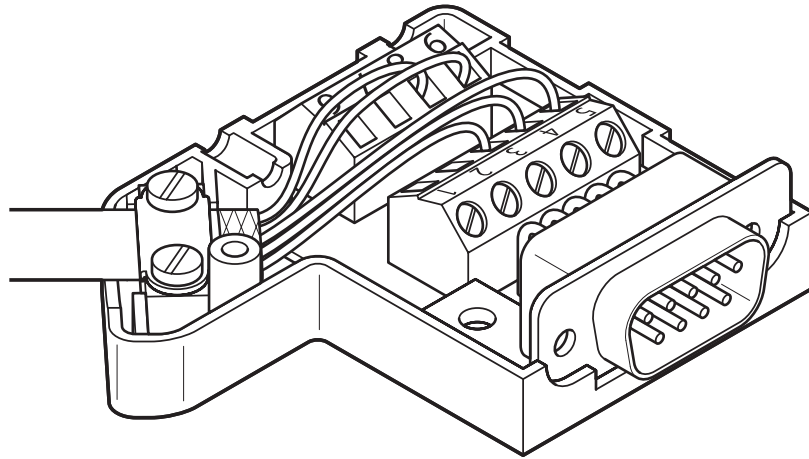
Right-hand side cable entry

# SUBCON 15HD/M - D-SUB connector

2708546

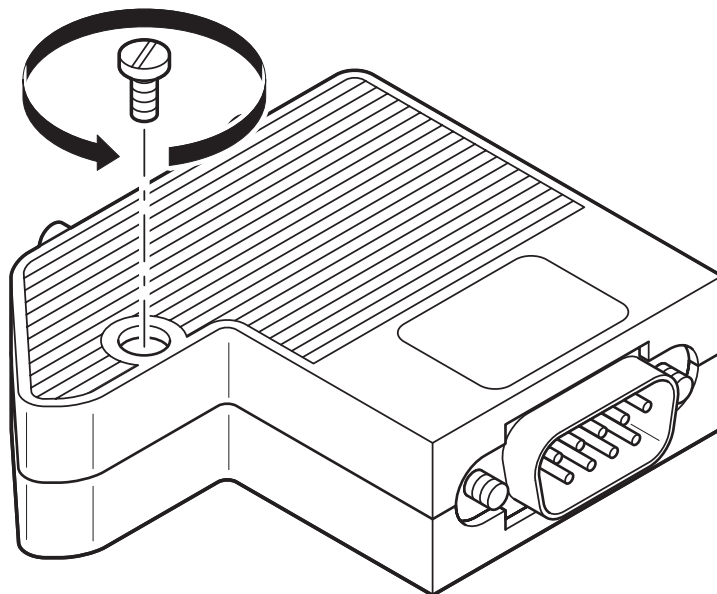
<https://www.phoenixcontact.com/de/produkte/2708546>

Schematic diagram



Left-hand side cable entry

Schematic diagram



Opening the housing

# SUBCON 15HD/M - D-SUB connector



2708546

<https://www.phoenixcontact.com/de/produkte/2708546>

## Classifications

### ECLASS

ECLASS-11.0	27440302
ECLASS-13.0	27440302
ECLASS-12.0	27440302

### ETIM

ETIM 8.0	EC001132
----------	----------

### UNSPSC

UNSPSC 21.0	39121400
-------------	----------

# SUBCON 15HD/M - D-SUB connector



2708546

<https://www.phoenixcontact.com/de/produkte/2708546>

## Environmental Product Compliance

REACH SVHC	Lead 7439-92-1
China RoHS	Environmentally Friendly Use Period = 50 years
	For information on hazardous substances, refer to the manufacturer's declaration available under "Downloads"

Phoenix Contact 2023 © - all rights reserved  
<https://www.phoenixcontact.com>

PHOENIX CONTACT Deutschland GmbH  
Flachsmarktstraße 8  
D-32825 Blomberg  
+49 52 35/3-1 20 00  
[info@phoenixcontact.de](mailto:info@phoenixcontact.de)