

Device terminal block - G 5/ 4-EX

2703185

<https://www.phoenixcontact.com/de/produkte/2703185>

Please be informed that the data shown in this PDF document is generated from our Online Catalog. Please find the complete data in the user documentation. Our General Terms of Use for Downloads are valid.



Device terminal block, for direct mounting, 4-pos.

Commercial Data

Item number	2703185
Packing unit	50 pc
Minimum order quantity	1 pc
Sales Key	A1 - Reihenklemmen
Product Key	BE1265
GTIN	4017918108762
Weight per Piece (including packing)	28,646 g
Weight per Piece (excluding packing)	28 g
Customs tariff number	85369010
Country of origin	PL

Device terminal block - G 5/ 4-EX



2703185

<https://www.phoenixcontact.com/de/produkte/2703185>

Technical Data

Product properties

Product type	Feed-through terminal block
Number of positions	4
Number of connections	8
Number of rows	1
Potentials	4

Insulation characteristics

Overvoltage category	III
Degree of pollution	3

Electrical properties

Rated surge voltage	6 kV
Maximum power dissipation for nominal condition	1.02 W

Connection data

Number of connections per level	8
Nominal cross section	4 mm ²
Screw thread	M3
Tightening torque	0.6 ... 0.8 Nm
Stripping length	8 mm
Internal cylindrical gage	A3
Conductor cross section solid	0.2 mm ² ... 4 mm ²
Cross section AWG	24 ... 12
Conductor cross section flexible	0.2 mm ² ... 4 mm ²
Conductor cross section, flexible [AWG]	24 ... 12
Flexible conductor cross section flexible (ferrule, w/o plastic sleeve)	0.25 mm ² ... 4 mm ²
Flexible conductor cross section (ferrule with plastic sleeve)	0.25 mm ² ... 2.5 mm ²
2 conductors with same cross section, solid	0.2 mm ² ... 1.5 mm ²
2 conductors with same cross section, flexible	0.2 mm ² ... 1.5 mm ²
2 conductors with same cross section, flexible, with ferrule without plastic sleeve	0.25 mm ² ... 1.5 mm ²
2 conductors with the same cross section, flexible, with TWIN ferrule with plastic sleeve	0.5 mm ² ... 1 mm ²
Nominal current	30 A
Maximum load current	32 A (with 4 mm ² conductor cross section)
Nominal voltage	275 V
Nominal cross section	4 mm ²

Ex data

Rated data (ATEX/IECEX)

Device terminal block - G 5/ 4-EX

2703185

<https://www.phoenixcontact.com/de/produkte/2703185>

ATEX certificate	PTB 06 ATEX 1034 U
IEC Ex certificate	IECEX PTB 06.0043 U
Identification	□ II 2 G Ex eb IIC Gb
Operating temperature range	-60 °C ... 110 °C
Ex-certified accessories	1205053 SZS 0,6X3,5
Ex temperature increase	40 K (30.7 A / 4 mm ²)
Rated voltage	352 V
Rated insulation voltage	320 V

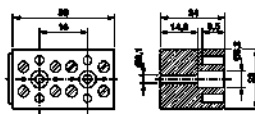
Ex level General

Rated current	30 A
Maximum load current	30 A
Contact resistance	0.25 mΩ

Ex connection data General

Torque range	0.6 Nm ... 0.8 Nm
Nominal cross section	4 mm ²
Rated cross section AWG	12
Connection capacity rigid	0.2 mm ² ... 4 mm ²
Connection capacity AWG	24 ... 12
Connection capacity flexible	0.2 mm ² ... 4 mm ²
Connection capacity AWG	24 ... 24
2 conductors with same cross section, solid	0.2 mm ² ... 1.5 mm ²
2 conductors with the same cross-section AWG rigid	24 ... 16
2 conductors with same cross section, stranded	0.2 mm ² ... 1.5 mm ²
2 conductors with the same cross-section AWG flexible	24 ... 16

Dimensions

Dimensional drawing	
Width	38 mm
Height	24 mm
Length	22 mm

Material specifications

Color	gray
Flammability rating according to UL 94	V0
Insulating material group	I
Insulating material	PA
Static insulating material application in cold	-60 °C
Temperature index of insulation material (DIN EN 60216-1 (VDE 0304-21))	130 °C
Relative insulation material temperature index (Elec., UL 746 B)	130 °C

Device terminal block - G 5/ 4-EX



2703185

<https://www.phoenixcontact.com/de/produkte/2703185>

Fire protection for rail vehicles (DIN EN 45545-2) R22	HL 1 - HL 3
Fire protection for rail vehicles (DIN EN 45545-2) R23	HL 1 - HL 3
Fire protection for rail vehicles (DIN EN 45545-2) R24	HL 1 - HL 3
Fire protection for rail vehicles (DIN EN 45545-2) R26	HL 1 - HL 3
Calorimetric heat release NFPA 130 (ASTM E 1354)	28 MJ/kg
Surface flammability NFPA 130 (ASTM E 162)	passed
Specific optical density of smoke NFPA 130 (ASTM E 662)	passed
Smoke gas toxicity NFPA 130 (SMP 800C)	passed

Mechanical properties

General

Terminal block mounting	When attaching the product to the mounting surface, please ensure that the housing is not damaged when tightening the center screw
-------------------------	--

Mechanical data

Open side panel	No
-----------------	----

Environmental and real-life conditions

Ambient conditions

Ambient temperature (operation)	-60 °C ... 105 °C (max. short-term operating temperature RTI Elec.)
Ambient temperature (storage/transport)	-25 °C ... 60 °C (for a short time, not exceeding 24 h, -60 °C to +70 °C)
Ambient temperature (assembly)	-5 °C ... 70 °C
Ambient temperature (actuation)	-5 °C ... 70 °C
Permissible humidity (storage/transport)	30 % ... 70 %

Standards and regulations

Connection in acc. with standard	IEC 60947-7-1
----------------------------------	---------------

Mounting

Mounting type	direct screw connection
Terminal block mounting	When attaching the product to the mounting surface, please ensure that the housing is not damaged when tightening the center screw

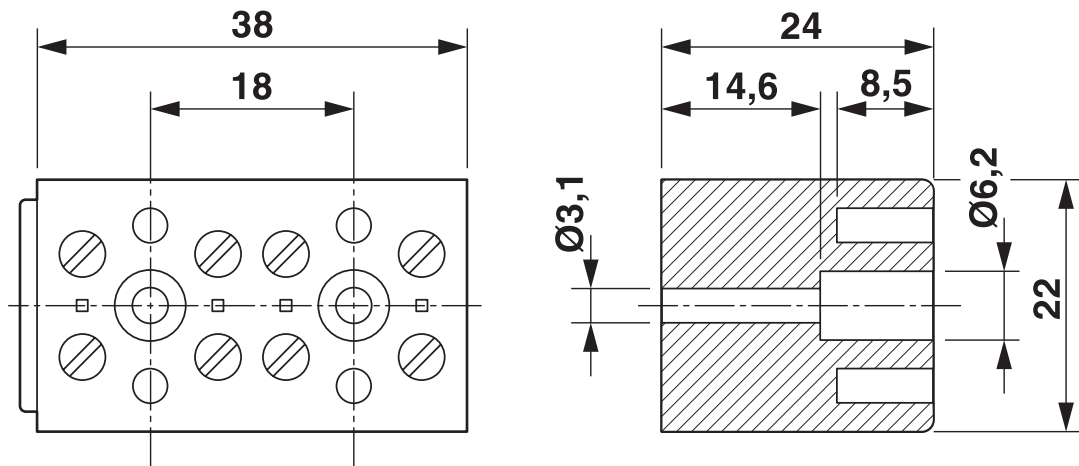
Device terminal block - G 5/ 4-EX

2703185

<https://www.phoenixcontact.com/de/produkte/2703185>

Drawings

Dimensional drawing



Circuit diagram



Device terminal block - G 5/ 4-EX





2703185


<https://www.phoenixcontact.com/de/produkte/2703185>


Approvals


 CSA Approval ID: 13631				
	Nominal Voltage U_N	Nominal Current I_N	Cross Section AWG	Cross Section mm^2
	300 V	30 A	26 - 10	-

 cULus Recognized Approval ID: E60425				
	Nominal Voltage U_N	Nominal Current I_N	Cross Section AWG	Cross Section mm^2
Use group B	300 V	30 A	26 - 10	-


 EAC Ex Approval ID: RU C-DE.HA91.B.00066				
--	--	--	--	--

 IECEX Approval ID: IECEXPTB06.0043U				
	Nominal Voltage U_N	Nominal Current I_N	Cross Section AWG	Cross Section mm^2
	352 V	30 A	-	0.2 - 4
Multi-conductor connection	352 V	30 A	-	0.2 - 1.5

 ATEX Approval ID: PTB06ATEX1034U				
	Nominal Voltage U_N	Nominal Current I_N	Cross Section AWG	Cross Section mm^2
Multi-conductor connection	352 V	30 A	-	0.2 - 1.5
Type examination certificate	352 V	30 A	-	0.2 - 4

 CCC Approval ID: 2020322313000624				
---	--	--	--	--

 NEPSI Approval ID: GYJ20.1200U				
--	--	--	--	--

 cUL Recognized Approval ID: E192998				
	Nominal Voltage U_N	Nominal Current I_N	Cross Section AWG	Cross Section mm^2

Device terminal block - G 5/ 4-EX



2703185

<https://www.phoenixcontact.com/de/produkte/2703185>

	300 V	30 A	26 - 10	26 - 10
--	-------	------	---------	---------



UL Recognized

Approval ID: E192998

	Nominal Voltage U_N	Nominal Current I_N	Cross Section AWG	Cross Section mm^2
	300 V	30 A	26 - 10	-

cULus Recognized

Device terminal block - G 5/ 4-EX



2703185

<https://www.phoenixcontact.com/de/produkte/2703185>

Classifications

ECLASS

ECLASS-9.0	27141120
ECLASS-10.0.1	27141120
ECLASS-11.0	27141106

ETIM

ETIM 8.0	EC001284
----------	----------

UNSPSC

UNSPSC 21.0	39121400
-------------	----------

Device terminal block - G 5/ 4-EX



2703185

<https://www.phoenixcontact.com/de/produkte/2703185>

Environmental Product Compliance

REACH SVHC	Lead 7439-92-1
China RoHS	Environmentally friendly use period: unlimited = EFUP-e
	No hazardous substances above threshold values

Phoenix Contact 2022 © - all rights reserved
<https://www.phoenixcontact.com>

PHOENIX CONTACT Deutschland GmbH
Flachsmarktstraße 8
D-32825 Blomberg
+49 52 35/3-1 20 00
info@phoenixcontact.de