

Connection element - PSD-S CE-TM SPRING - 2700092


Please be informed that the data shown in this PDF Document is generated from our Online Catalog. Please find the complete data in the user's documentation. Our General Terms of Use for Downloads are valid (<http://phoenixcontact.com/download>)



Connection element with spring-cage terminal blocks for tube mounting



Key Commercial Data

Packing unit	1 STK
GTIN	 4 046356 490153
GTIN	4046356490153
Weight per Piece (excluding packing)	80.000 g
Custom tariff number	85319000
Country of origin	Germany

Technical data

Dimensions

Diameter	69 mm
Height	27 mm

Ambient conditions

Ambient temperature (operation)	-30 °C ... 50 °C
Degree of protection	IP65, when installed

General

Material	PA-GF
Color	black
Weight	77 g
Mounting position	any

Connection element - PSD-S CE-TM SPRING - 2700092

Technical data

General

Mounting type	Tube mounting
Assembly instructions	Rubber seal pre-installed for each element
Number of mountable signal elements	max. 5
Scope of delivery	End cover and seal

Electrical data

Nominal input voltage range	12 V AC/DC ... 240 V AC/DC
-----------------------------	----------------------------

Connection data

Designation	without ferrule
Connection method	Spring-cage connection
Conductor cross section flexible min.	0.5 mm ²
Conductor cross section flexible max.	1.5 mm ²
Min. AWG conductor cross section, flexible	20
Max. AWG conductor cross section, flexible	15
Designation	With ferrule
Connection method	Spring-cage connection
Conductor cross section flexible min.	0.25 mm ²
Conductor cross section flexible max.	1.5 mm ²
Min. AWG conductor cross section, flexible	23
Max. AWG conductor cross section, flexible	15
Designation	solid
Connection method	Spring-cage connection
Conductor cross section solid min.	0.5 mm ²
Conductor cross section solid max.	1.5 mm ²
Single-wire/terminal point, solid AWG min.	20
Single-wire/terminal point, solid AWG max.	15

Approvals / conformities

Electromagnetic compatibility	Conformance with EMC directive 2004/108/EC and for low-voltage directive 2006/95/EC
-------------------------------	---

Standards and Regulations

Electromagnetic compatibility	Conformance with EMC directive 2004/108/EC and for low-voltage directive 2006/95/EC
-------------------------------	---

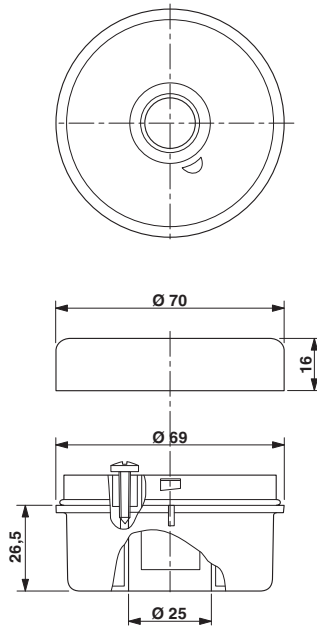
Environmental Product Compliance

China RoHS	Environmentally friendly use period: unlimited = EFUP-e
	No hazardous substances above threshold values

Drawings

Connection element - PSD-S CE-TM SPRING - 2700092

Dimensional drawing



Classifications

eCl@ss

eCl@ss 4.0	27143203
eCl@ss 4.1	27143203
eCl@ss 5.0	27371232
eCl@ss 5.1	27371232
eCl@ss 6.0	27371232
eCl@ss 7.0	27371232
eCl@ss 8.0	27371232
eCl@ss 9.0	27371232

ETIM

ETIM 3.0	EC001152
ETIM 4.0	EC001152
ETIM 5.0	EC001152
ETIM 6.0	EC001152

UNSPSC

UNSPSC 6.01	43172015
UNSPSC 7.0901	43201404

Connection element - PSD-S CE-TM SPRING - 2700092

Classifications

UNSPSC

UNSPSC 11	39121311
UNSPSC 12.01	39121311
UNSPSC 13.2	39121311

Approvals

Approvals

Approvals

UL Listed / cUL Listed / EAC / EAC / cULus Listed

Ex Approvals

Approval details

UL Listed		http://database.ul.com/cgi-bin/XYV/template/LISEXT/1FRAME/index.htm	FILE E 123528
-----------	--	---	---------------

cUL Listed		http://database.ul.com/cgi-bin/XYV/template/LISEXT/1FRAME/index.htm	FILE E 123528
------------	--	---	---------------

EAC		EAC-Zulassung
-----	--	---------------

EAC		RU *- DE.A*30.B.00237
-----	--	--------------------------

cULus Listed		
--------------	--	--

Accessories

Accessories

Connection element - PSD-S CE-TM SPRING - 2700092

Accessories

Assembly element

Adapter - PSD-S ME A-SH M18 - 2700150



Adapter for single-hole mounting

Mounting material - PSD-S ME BT 110 - 2700156



Foot with integrated tube, 110 mm high, black

Mounting material - PSD-S ME T-M 250 - 2700157



Tube, 250 mm high, Ø 25 mm

Mounting material - PSD-S ME T-M 400 - 2700158



Tube, 400 mm high, Ø 25 mm

Mounting material - PSD-S ME T-M 1000 - 2700154



Tube, 1000 mm long, Ø 25 mm

Connection element - PSD-S CE-TM SPRING - 2700092

Accessories

Mounting material - PSD-S ME B-M - 2700164



Foot for tube Ø 25 mm, aluminium, black

Mounting material - PSD-S ME B-P - 2700163



Foot for tube Ø 25 mm, plastic, black

Mounting material - PSD-S ME T-P 45 - 2700152



Tube, 45 mm long, Ø 25 mm, for direct tube mounting on the foldaway base

Mounting material - PSD-S ME FB - 2700151



Foldaway base, pitch 7.5°, black

Mounting material - PSD-S ME OB - 2700153



Outlet box with lateral cable entry for floor and base mounting

Connection element - PSD-S CE-TM SPRING - 2700092

Accessories

Mounting material - PSD-S ME OB/MB - 2700155



Outlet box with magnetic base for base mounting, black

Mounting brackets - PSD-S ME BR-BM/HCR - 2700149



Angle for base mounting, concealed cable routing, black

Mounting brackets - PSD-S ME BR-BM - 2700143



Angle for base mounting, black
