

**HDC MHP70 M 25 P****Weidmüller Interface GmbH & Co. KG**

Klingenbergstraße 26

D-32758 Detmold

Germany

www.weidmueller.com



Crimps provide a electrical and mechanical connection between wire and contact that is both secure and reliable. The optimal crimp connection is gas-tight and corrosion-resistant.

**General ordering data**

Version	Male, silver
Order No.	<a href="#">2691260000</a>
Type	HDC MHP70 M 25 P
GTIN (EAN)	4050118803037
Qty.	10 pc(s).

Creation date March 12, 2024 3:34:04 PM CET

Catalogue status 09.03.2024 / We reserve the right to make technical changes.

## HDC MHP70 M 25 P

**Weidmüller Interface GmbH & Co. KG**

Klingenbergstraße 26

D-32758 Detmold

Germany

[www.weidmueller.com](http://www.weidmueller.com)

## Technical data

### Dimensions and weights

Net weight 11 g

### General data

Material	Copper alloy	Plugging cycles	500
Production methods	turned	Series	ModuPlug
Stripping length, rated connection	16 mm	Surface finish	silver
Type	Male	Type of connection	Crimp connection

### Classifications

ETIM 6.0	EC000796	ETIM 7.0	EC000796
ETIM 8.0	EC000796	ETIM 9.0	EC000796
ECLASS 9.0	27-44-02-04	ECLASS 9.1	27-44-02-04
ECLASS 10.0	27-44-02-04	ECLASS 11.0	27-44-02-04
ECLASS 12.0	27-44-02-04	ECLASS 13.0	27-44-02-04

### Environmental Product Compliance

REACH SVHC	Lead 7439-92-1
SCIP	6eabd5ae-2d6b-409e-8bdf-87c27ee10e40

### Approvals

ROHS	Conform
------	---------

### Downloads

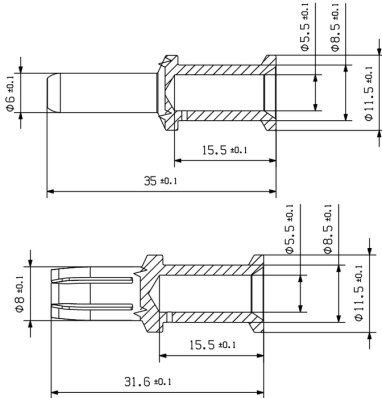
Engineering Data	<a href="#">CAD data – STEP</a>
Catalogues	<a href="#">Catalogues in PDF-format</a>

HDC MHP70 M 25 P

Weidmüller Interface GmbH & Co. KG  
Klingenbergstraße 26  
D-32758 Detmold  
Germany

Drawings

[www.weidmueller.com](http://www.weidmueller.com)



## HDC MHP70 M 25 P

**Weidmüller Interface GmbH & Co. KG**  
 Klingenbergstraße 26  
 D-32758 Detmold  
 Germany

www.weidmueller.com

## Accessories

## ... for compression cable lugs


**Crimping tools for cable lugs, connectors and wire-end ferrules with interchangeable inserts**

- extremely fast processing thanks to hydraulic support
- large processing range up to 300 mm<sup>2</sup>
- 270° revolving quick-action crimping head
- automatic pressure limitation and monitoring via pressure sensor
- electronic control and monitoring of the crimping process
- Saving of all crimping cycles and error messages to internal memory
- Reading of all cycles and error messages via USB
- Li-ion rechargeable battery with charge status indicator: 18 V, 1.5 Ah

## General ordering data

Type	ES EPG/HPG 60 HEX 25	Version
Order No.	<a href="#">2505180000</a>	Crimping tool insert, Hexagonal crimp
GTIN (EAN)	4050118519570	
Qty.	1 pc(s).	

## Tools


**Crimping tools for cable lugs, connectors and wire-end ferrules with interchangeable inserts**

- extremely fast processing thanks to hydraulic support
- large processing range up to 400 mm<sup>2</sup>
- 360° revolving quick action crimping head
- automatic pressure limitation and monitoring via pressure sensor
- Additional features for APG series:
- electronic control and monitoring of the crimping process
- Saving of all crimping cycles and error messages to internal memory
- Reading of all cycles and error messages via USB

## General ordering data

Type	HPG 60	Version
Order No.	<a href="#">2453820000</a>	6mm <sup>2</sup> , 300mm <sup>2</sup> , Hexagonal crimp, WM crimp, Indent crimp,
GTIN (EAN)	4050118468427	Trapezoidal crimp, Oval crimping
Qty.	1 pc(s).	

## HDC MHP70 M 25 P

**Weidmüller Interface GmbH & Co. KG**  
Klingenbergstraße 26  
D-32758 Detmold  
Germany

www.weidmueller.com

## Accessories

### ... for compression cable lugs (acc. to DIN 46235)



#### Crimping tools for cable lugs, connectors and wire-end ferrules with interchangeable inserts

- extremely fast processing thanks to hydraulic support
- large processing range up to 300 mm<sup>2</sup>
- 270° revolving quick-action crimping head
- automatic pressure limitation and monitoring via pressure sensor
- electronic control and monitoring of the crimping process
- Saving of all crimping cycles and error messages to internal memory
- Reading of all cycles and error messages via USB
- Li-ion rechargeable battery with charge status indicator: 18 V, 1.5 Ah

#### General ordering data

Type	ES EPG 45 HEX 25/50	Version	
Order No.	<a href="#">1500970000</a>	Version	Hexagonal crimp
GTIN (EAN)	4050118309195		
Qty.	1 pc(s).		

### Tools



#### Crimping tools for cable lugs, connectors and wire-end ferrules with interchangeable inserts

- extremely fast processing thanks to hydraulic support
- large processing range up to 300 mm<sup>2</sup>
- 270° revolving quick-action crimping head
- automatic pressure limitation and monitoring via pressure sensor
- electronic control and monitoring of the crimping process
- Saving of all crimping cycles and error messages to internal memory
- Reading of all cycles and error messages via USB
- Li-ion rechargeable battery with charge status indicator: 18 V, 1.5 Ah

#### General ordering data

Type	EPG 45	Version	
Order No.	<a href="#">1500830000</a>	Version	Pressing tool, 6mm <sup>2</sup> , 150mm <sup>2</sup> , Hexagonal crimp, WM crimp, Indent crimp, Trapezoidal crimp, Oval crimping
GTIN (EAN)	4050118309317		
Qty.	1 pc(s).		