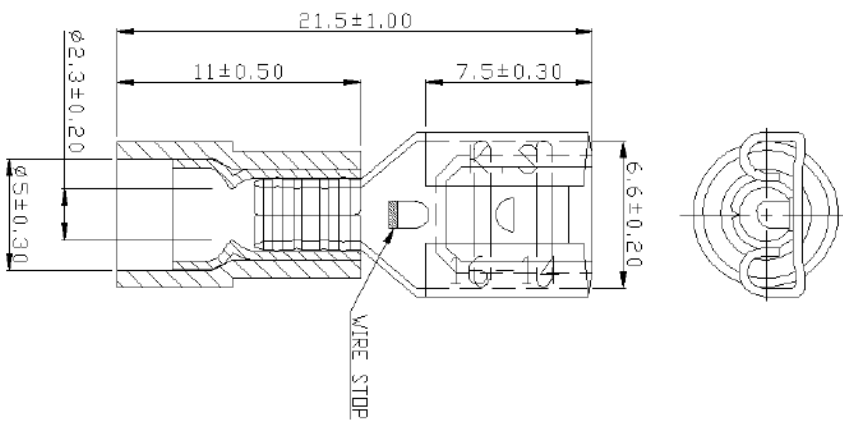


Professionally approved products.
Datasheet
Blue Insulated Crimp Receptacle

RS Stock number [267-4142](#)

Drawing(mm):



Specifications:

Max. Electrical Current:	A.W.G: 16 14
	Amp: 10 15
Max. Electrical Rating:	150 600 volts
Insulation Material:	Nylon
Insulation Colour:	Blue
Terminal Material:	Brass
Wire Range:	16-14 A.W.G (1.5 – 2.5mm)
Terminal Surface Treatment:	Tin Plated
Double Crimp:	With copper sleeve on barrel
Nema Tab:	0.032 * 0.250 * (0.8 * 6.35)
Terminals Thickness:	0.40mm