



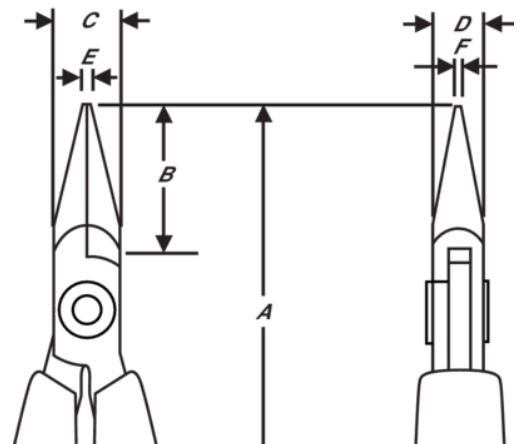
2646MS

Chain Nose Pliers with Synthetic Handle



PRODUCT DETAILS


- Handles in synthetic material with return spring
- High-performance alloy steel
- Mirror polished
- Precision short snipe nose pliers
- CNC grinding guarantees edge angle accuracy and contact, increasing reliability and consistency
- Screw joint minimizes friction and maximizes alignment of cutting edges
- 20 mm smooth gripping surface with rounded edges



Follow the Fish!



PRODUCT ATTRIBUTES

Product	A	B	C	D	E	F	
2646 MS	120 mm	20 mm	9,2 mm	6 mm	1,3 mm	0.8 mm	56 g

Follow the Fish!

