

44M9976-16-9 ✓ ACTIVE

RAYCHEM

TE Internal #: 2614443005

Spec 44, Operating Voltage 600 V, Tin-Coated Copper, 16 AWG  
Wire Size, Operating Temperature Range -65 – 120 °C, Hook Up  
Wire

[View on TE.com >](#)



Wire & Cable > Hook Up Wire



Cable Type: **Spec 44**

Operating Voltage: **600 V**

Wire & Cable Insulation Material: **Radiation-Crosslinked, Extruded Polyalkene**

Conductor Material: **Tin-Coated Copper**

Wire Size: **16 AWG**

## Features

### Product Type Features

Wall Type	Dual Wall
-----------	-----------

### Configuration Features

Number of Conductors	1
----------------------	---

### Electrical Characteristics

Operating Voltage	600 V
-------------------	-------

### Body Features

Wire & Cable Insulation Material	Radiation-Crosslinked, Extruded Polyalkene
----------------------------------	--

Conductor Material	Tin-Coated Copper
--------------------	-------------------

Wire Color (Base)	White
-------------------	-------

### Dimensions

Wire Size	16 AWG
-----------	--------

### Usage Conditions

Cable Type	Spec 44
------------	---------

Operating Temperature Range	-65 – 120 °C
-----------------------------	--------------

## Product Compliance

[For compliance documentation, visit the product page on TE.com>](#)




EU RoHS Directive 2011/65/EU	Compliant
EU ELV Directive 2000/53/EC	Compliant
China RoHS 2 Directive MIIT Order No 32, 2016	No Restricted Materials Above Threshold
EU REACH Regulation (EC) No. 1907/2006	Current ECHA Candidate List: JUNE 2024 (241) Candidate List Declared Against: JUNE 2024 (241) Does not contain REACH SVHC
Halogen Content	Out of Scope - excluded from Halogen requirements
Solder Process Capability	Not applicable for solder process capability


Product Compliance Disclaimer

This information is provided based on reasonable inquiry of our suppliers and represents our current actual knowledge based on the information they provided. This information is subject to change. The part numbers that TE has identified as EU RoHS compliant have a maximum concentration of 0.1% by weight in homogenous materials for lead, hexavalent chromium, mercury, PBB, PBDE, DBP, BBP, DEHP, DIBP, and 0.01% for cadmium, or qualify for an exemption to these limits as defined in the Annexes of Directive 2011/65/EU (RoHS2). Finished electrical and electronic equipment products will be CE marked as required by Directive 2011/65/EU. Components may not be CE marked. Additionally, the part numbers that TE has identified as EU ELV compliant have a maximum concentration of 0.1% by weight in homogenous materials for lead, hexavalent chromium, and mercury, and 0.01% for cadmium, or qualify for an exemption to these limits as defined in the Annexes of Directive 2000/53/EC (ELV). Regarding the REACH Regulation, the information TE provides on SVHC in articles for this part number is based on the latest European Chemicals Agency (ECHA) 'Guidance on requirements for substances in articles' posted at this URL: <https://echa.europa.eu/guidance-documents/guidance-on-reach>

### Compatible Parts



TE Part # 9-120035-5  
HarnWare/HarnVis Purchase Charge



TE Part # 9-120035-6  
HarnWare/HarnVis Renewal Charge

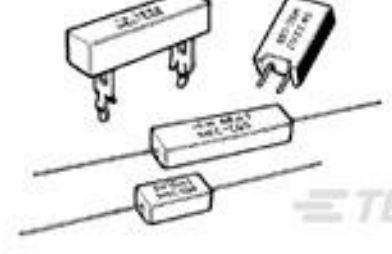
### Customers Also Bought



TE Part #1-1879071-3  
Power Resistor: Aluminum Housed, 75 Watt



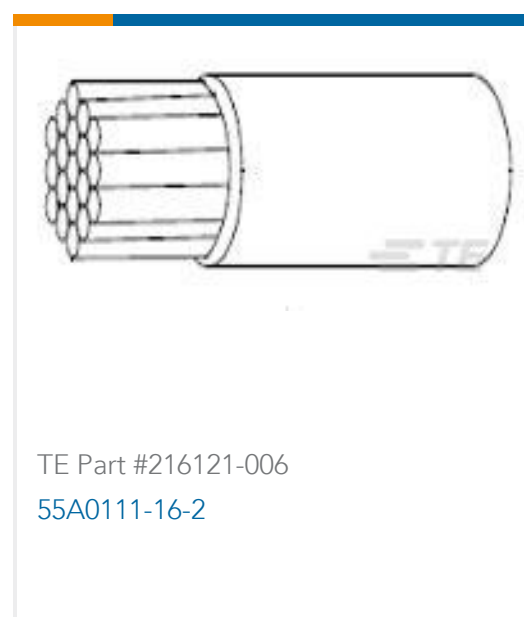
TE Part #4-1622825-1  
RL73K 3A R10 5% 4K RL



TE Part #2-1623789-0  
SQM7 R10 5% (WIRE)



TE Part #926894-1  
UNIV.M-N-L.PIN



## Documents

### Product Drawings

[44M9976-16-9](#)

English

### Datasheets & Catalog Pages

[1654025\\_Sec9\\_SPEC44](#)

English

### Product Specifications

[Product Specification](#)

English