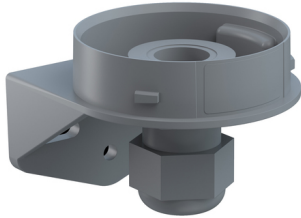


EvoSIGNAL / EvoSIGNAL Accessories
Mini Bracket Cable Gland GY



Part No.: 260.700.06

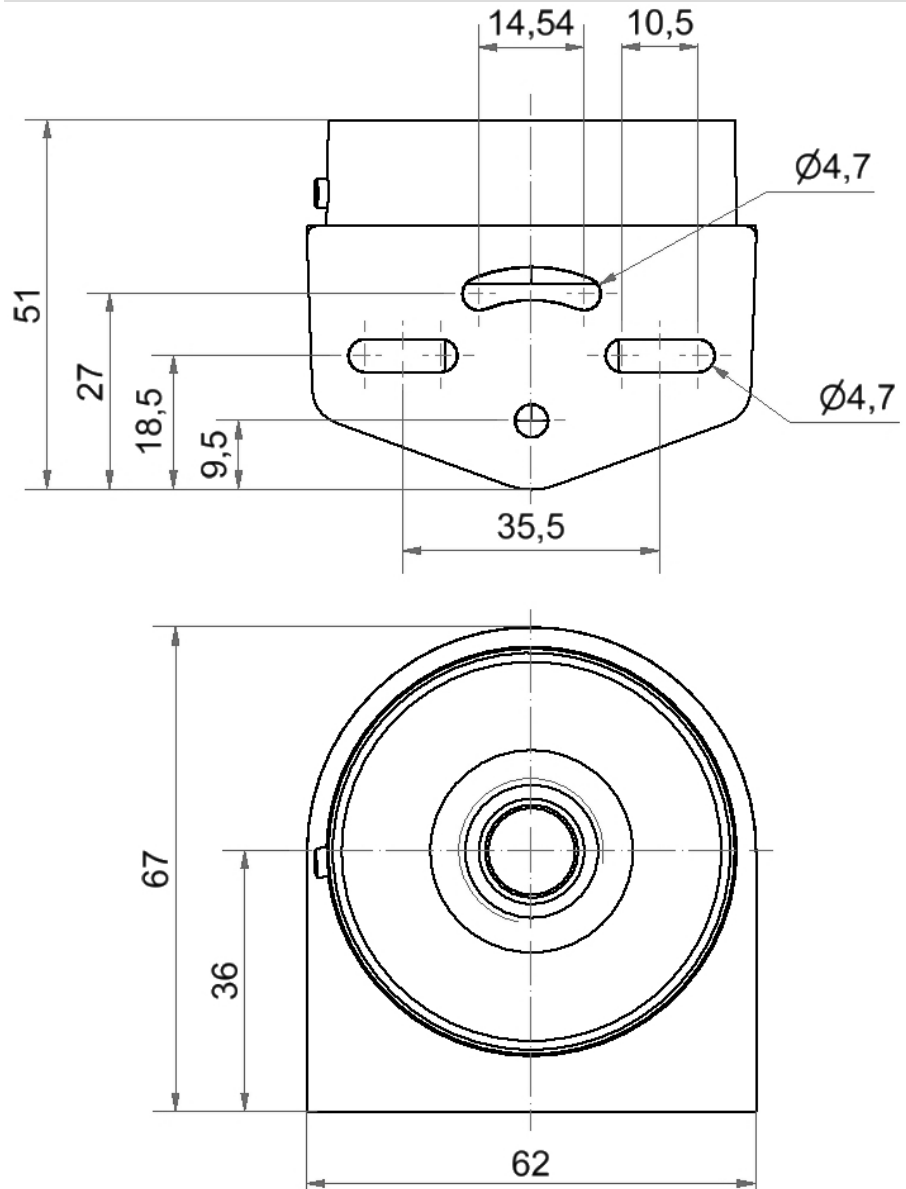
RoHS

MECHANICAL DATA	
Length	67 mm
Width	62 mm
Height	51 mm
Diameter	62 mm
Materials	PC/ABS
Housing colour	Grey
Protection category	IP66
Cable entry	Screwed cable gland
Cable entry minimum	d = 8 mm
Cable entry maximum	d = 12 mm
Tension relief	Present (conforms to VDI)
Type of fixing	Wall mounting
Working temperature minimum	-30°C
Working temperature maximum	+60°C
Weight with packaging	39 g
Product weight	35 g
ELECTRICAL DATA	
Pollution degree	3

! For additional installation and mounting information, refer to the appropriate user guide at www.werma.com. This printed copy is for information only and is subject to alteration.

EvoSIGNAL / EvoSIGNAL Accessories
Mini Bracket Cable Gland GY

DRAWING



For additional installation and mounting information, refer to the appropriate user guide at www.werma.com. This printed copy is for information only and is subject to alteration.