

6

5

4

3

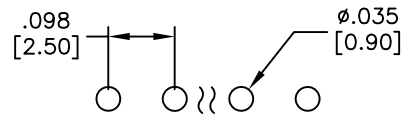
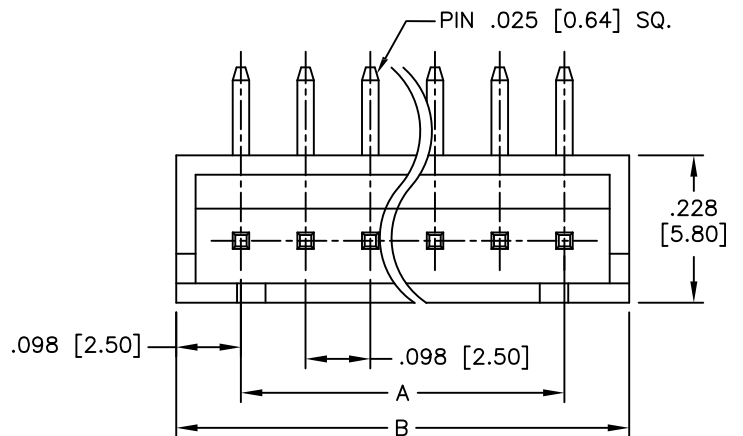
2

1

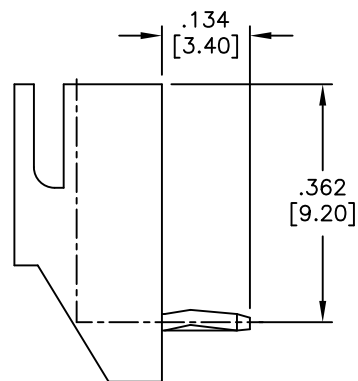
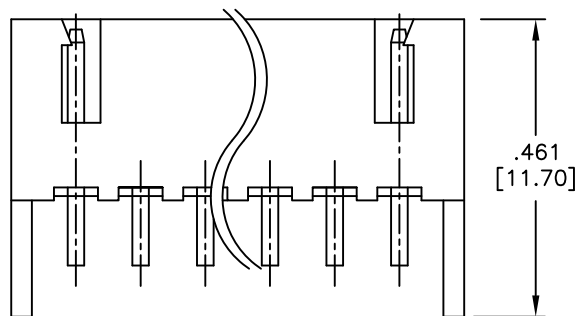
APPROVED: _____

DATE: _____ TITLE: _____

Rev	AWO #	Description	Date	Appr
-		RELEASED	12/17/09	
A		UPDATED 1 & B DIMENSIONS	1/15/15	



RECOMMENDED PCB LAYOUT



SPECIFICATIONS:

Material:
 Insulator: Nylon 66, rated UL 94V-0
 Insulator color: White
 Contacts: Brass

Plating:
 Tin over Copper underplate overall

Electrical:
A Voltage rating: 250V AC, DC
 Current rating: 3A AC, DC
 Insulation resistance: 1,000 Mohms min
 Dielectric withstanding voltage: 1000 VAC for 1 minute
 Temperature Rating:

Operating temperature: -25°C to +85°C
 Environmental:
 Lead free, RoHS compliant



Positions: 2 thru 20

A = .098 [2.50] x No. of Spaces.

B = .098 [2.50] x No. of Positions + .096 [2.45]

UNLESS OTHERWISE SPECIFIED
 ALL DIMENSIONS ARE INCHES [MM]
 TOLERANCES: EXCEPT AS NOTED

INCHES		HOLES	
.X	± .10	∅.X	± .10
.XX	± .020	∅.XX	± .015
.XXX	± .015	∅.XXX	± .010

ADAM TECH

909 Rahway Avenue, Union, NJ 07083
 Phone: 908-687-5000 Fax: 908-687-5710

TITLE
**.098 [2.50] SHROUDED HEADER
 RIGHT ANGLE, PCB**

APPROVALS		DATE
DRAWN	DY	12/17/09
CHECKED		
APPROVED		

SIZE X	PART NO. 25SH-B-XX-TR	REV. A
REF: S00016T	SCALE: NTS	SHEET 1 OF 1

6

5

4

3

2

1