

1643279-1 ✓ ACTIVE



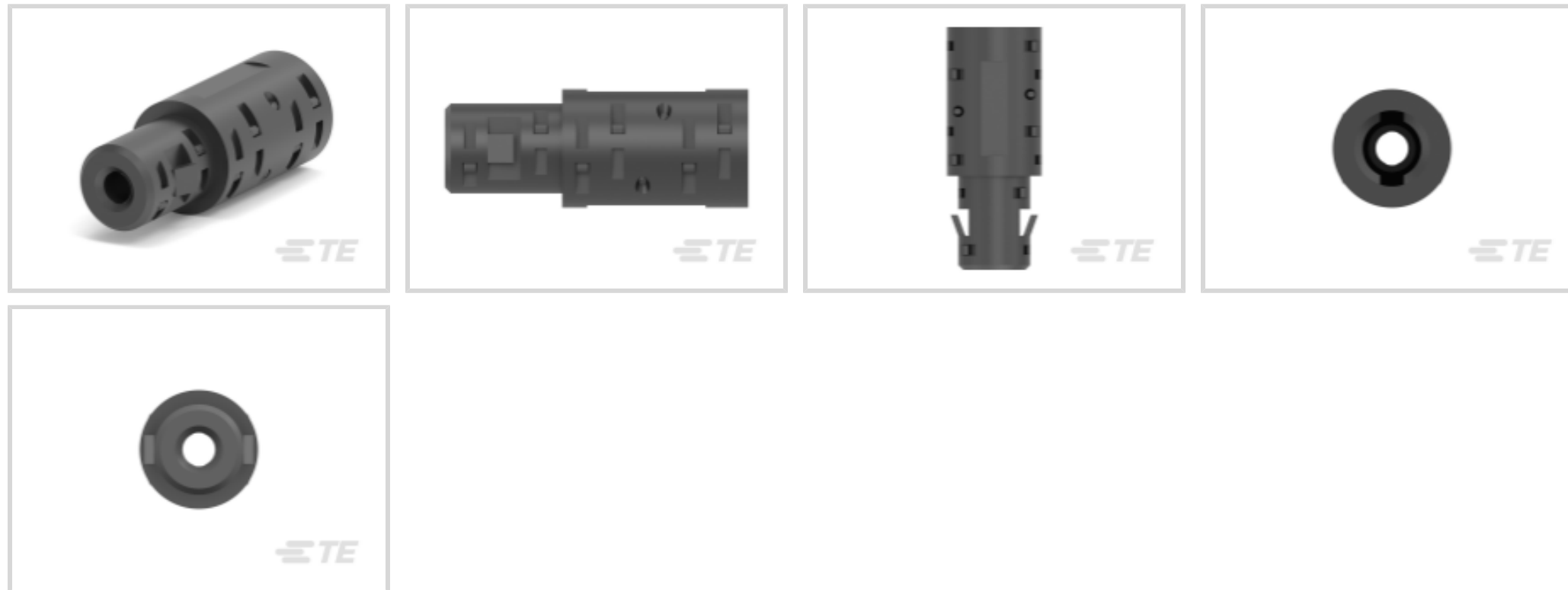
RAPID LOCK

TE Internal #: 1643279-1

Wire-to-Bus Bar, Wire & Cable, Thermoplastic, Black, Vertical,
Copper Alloy, Busbar Connectors

[View on TE.com >](#)

Connectors > Power Connectors > Busbar Connectors



Connector System: **Wire-to-Bus Bar**

Connector & Contact Terminates To: **Wire & Cable**

Housing Material: **Thermoplastic**

Housing Color: **Black**

PCB Mount Orientation: **Vertical**

Features

Product Type Features

Connector System	Wire-to-Bus Bar
Connector & Contact Terminates To	Wire & Cable

Configuration Features

PCB Mount Orientation	Vertical
-----------------------	----------

Electrical Characteristics

Operating Voltage	250 VAC
-------------------	---------

Body Features

Bus Bar Contact Plating Material	Gold
----------------------------------	------

Contact Features

	30 μ m
Contact Base Material	Copper Alloy
Contact Current Rating (Max)	50 A

Housing Features

Housing Material	Thermoplastic
------------------	---------------



Housing Color Black

Dimensions

Wire Size 6 AWG

Product Compliance

[For compliance documentation, visit the product page on TE.com>](#)

EU RoHS Directive 2011/65/EU	Compliant
EU ELV Directive 2000/53/EC	Compliant
China RoHS 2 Directive MIIT Order No 32, 2016	No Restricted Materials Above Threshold
EU REACH Regulation (EC) No. 1907/2006	Current ECHA Candidate List: JUNE 2024 (241) Candidate List Declared Against: JAN 2021 (211) Does not contain REACH SVHC
Halogen Content	Low Halogen - Br, Cl, F, I < 900 ppm per homogenous material. Also BFR/CFR/PVC Free
Solder Process Capability	Not applicable for solder process capability

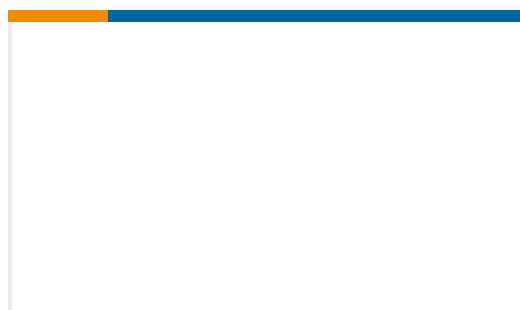
Product Compliance Disclaimer

This information is provided based on reasonable inquiry of our suppliers and represents our current actual knowledge based on the information they provided. This information is subject to change. The part numbers that TE has identified as EU RoHS compliant have a maximum concentration of 0.1% by weight in homogenous materials for lead, hexavalent chromium, mercury, PBB, PBDE, DBP, BBP, DEHP, DIBP, and 0.01% for cadmium, or qualify for an exemption to these limits as defined in the Annexes of Directive 2011/65/EU (RoHS2). Finished electrical and electronic equipment products will be CE marked as required by Directive 2011/65/EU. Components may not be CE marked. Additionally, the part numbers that TE has identified as EU ELV compliant have a maximum concentration of 0.1% by weight in homogenous materials for lead, hexavalent chromium, and mercury, and 0.01% for cadmium, or qualify for an exemption to these limits as defined in the Annexes of Directive 2000/53/EC (ELV). Regarding the REACH Regulation, the information TE provides on SVHC in articles for this part number is based on the latest European Chemicals Agency (ECHA) 'Guidance on requirements for substances in articles' posted at this URL: <https://echa.europa.eu/guidance-documents/guidance-on-reach>

Compatible Parts



TE Part # 6648228-1
CROWN,SKT,#10



TE Part # 1410354-7
MULTI-GIG GUIDE PIN, 9MM 2.60

Customers Also Bought



Documents

Product Drawings

[259-83-00500=TA HOOD,#8,BLACK](#)

English

CAD Files

[3D PDF](#)

3D

Customer View Model

[ENG_CVM_CVM_1643279-1_D.2d_dxf.zip](#)

English

Customer View Model

[ENG_CVM_CVM_1643279-1_D.3d_igs.zip](#)

English

Customer View Model

[ENG_CVM_CVM_1643279-1_D.3d_stp.zip](#)

English

By downloading the CAD file I accept and agree to the [Terms and Conditions](#) of use.

Datasheets & Catalog Pages

[POWER_CONNECTORS_CATALOG_SEC02_CABLE_MOUNTED](#)

English

[Busbar Power Brochure](#)

English

[2_PIECE_POWER_CONNECTORS_qrg_4-1773458-1](#)

English

Product Specifications



Application Specification

English

Agency Approvals

Agency Approval Document

English