

UR20-2AI-UI-16-DIAG

Weidmüller Interface GmbH & Co. KG

Klingenbergstraße 26

D-32758 Detmold

Germany

www.weidmueller.com



Inputs can be parameterised; up to 3-wire + FE; accuracy 0.1% FSR

Analogue input modules of the u-remote system are available in many variants with different resolutions and wiring solutions.

Variants are available with 12- and 16-bit resolution, which record up to 4 analogue sensors with +/-10 V, +/-5 V, 0...10 V, 0...5 V, 2...10 V, 1...5 V, 0...20 mA or 4...20 mA with maximum accuracy. Each plug-in connector can optionally connect sensors with 2- or 3-wire technology. The parameters for the measurement range can be individually set for each channel. In addition, each channel has its own status LED. A special variant for Weidmüller interface units enables current measurements with 16-bit resolution and maximum accuracy for 8 sensors at a time (0...20 mA or 4...20 mA).

The module electronics supply the connected sensors with power from the input current path (U_{IN}).

General ordering data

Version	Remote I/O module, IP20, 2-channel, Analog signals, Input, Current/Voltage, 16 Bit
Order No.	2566090000
Type	UR20-2AI-UI-16-DIAG
GTIN (EAN)	4050118575729
Qty.	1 pc(s).
Replacement parts	1350930000 2568070000

UR20-2AI-UI-16-DIAG

Weidmüller Interface GmbH & Co. KG

Klingenbergstraße 26

D-32758 Detmold

Germany

www.weidmueller.com

Technical data

Dimensions and weights

Depth	76 mm	Depth (inches)	2.992 inch
Height	120 mm	Height (inches)	4.724 inch
Width	11.5 mm	Width (inches)	0.453 inch
Net weight	82.5 g		

Temperatures

Storage temperature	-40 °C ... +85 °C	Operating temperature	-20 °C ... +60 °C
---------------------	-------------------	-----------------------	-------------------

analogue inputs

Accuracy	0.1% FSR	Conversion time	1 ms
Individual channel diagnosis	Yes	Internal resistance I	41.2 Ω
Internal resistance U	100 kΩ	Module diagnosis	Yes
Number of analogue inputs	2	Resolution	16 Bit
Response time	< 50 ms	Reverse polarity protection	Yes
Sensor connection	2-wire, 3-wire, 3-wire + FE	Sensor supply	Yes
Short-circuit-proof	Yes	Type	1. U (0...5 V, 0...10 V, 1...5 V, 2...10 V, ±10 V), 2. I (0-20 mA or 4-20 mA)

Connection data

Type of connection	PUSH IN	Wire connection cross section, finely stranded, max.	1.5 mm ²
Wire connection cross section, finely stranded, min.	0.14 mm ²	Wire cross-section, finely stranded, max. (AWG)	AWG 16
Wire cross-section, finely stranded, min. (AWG)	AWG 26	Wire cross-section, solid, max.	1.5 mm ²
Wire cross-section, solid, max. (AWG)	AWG 16	Wire cross-section, solid, min.	0.14 mm ²
Wire cross-section, solid, min. (AWG)	AWG 26		

General data

Air humidity (operation)	10% to 95%, non-condensing as per DIN EN 61131-2	Air humidity (storage)	10% to 95%, non-condensing as per DIN EN 61131-2
Air humidity (transport)	10% to 95%, non-condensing as per DIN EN 61131-2	Air pressure (operation)	≥ 795 hPa (height ≤ 2000 m) as per DIN EN 61131-2
Air pressure (storage)	1013 hPa (height 0 m) to 700 hPa (height 3000 m) as per DIN EN 61131-2	Air pressure (transport)	1013 hPa (height 0 m) to 700 hPa (height 3000 m) as per DIN EN 61131-2
Pollution severity	2	Rail	TS 35
Shock	15 g over 11 ms, half sinus wave, acc. to IEC 60068-2-27	Surge voltage category	II
Test voltage	500 V	UL 94 flammability rating	V-0
Vibration resistance	5 Hz ≤ f ≤ 8.4 Hz: 3.5-mm amplitude as per IEC 60068-2-6, 8.4 Hz ≤ f ≤ 150 Hz: 1 g acceleration as per IEC 60068-2-6		

Creation date March 12, 2024 5:13:24 PM CET

Catalogue status 09.03.2024 / We reserve the right to make technical changes.

2

UR20-2AI-UI-16-DIAG

Weidmüller Interface GmbH & Co. KG
 Klingenbergstraße 26
 D-32758 Detmold
 Germany

www.weidmueller.com

Technical data

Power supply

Current consumption from I_{IN} (the respective power segment)	25 mA + sensor feed	Current consumption from I_{sys} , typ.	8 mA
Reverse polarity protection	Yes	Voltage supply	24 V DC +20 %/ -15 %, via the system bus

System data

Connection type	PUSH IN	Diagnostic data	1 Bit
Galvanic isolation	DC 500 V between current paths	Interface	u-remote system bus
Module type	Analogue input module	Process data	4 Byte
Transmission speed of system bus, max.	48 Mbit		

Classifications

ETIM 6.0	EC001596	ETIM 7.0	EC001596
ETIM 8.0	EC001596	ETIM 9.0	EC001596
ECLASS 9.0	27-24-26-01	ECLASS 9.1	27-24-26-01
ECLASS 10.0	27-24-26-01	ECLASS 11.0	27-24-26-01
ECLASS 12.0	27-24-26-01	ECLASS 13.0	27-24-26-01

Environmental Product Compliance

REACH SVHC	Lead 7439-92-1
SCIP	82327f13-cd27-455a-ab5b-a62e1996dcf8

Approvals

Approvals



UL File Number Search	UL Website
Certificate no. (cULusEX)	E223527

Downloads

Approval/Certificate/Document of Conformity	KC certificate DNV/GL certificate DEMKO15ATEX1525X UKCA Declaration of Conformity - EN CE Declaration of Conformity - DE
Engineering Data	Compatibility information – Combinability of UR20 CAD data – STEP
Software	Firmware – Current firmware UR20-2AI-UI-16
User Documentation	MAN_U-REMOTE_DE MAN_U-REMOTE_EN
Catalogues	Catalogues in PDF-format

Creation date March 12, 2024 5:13:24 PM CET

Catalogue status 09.03.2024 / We reserve the right to make technical changes.

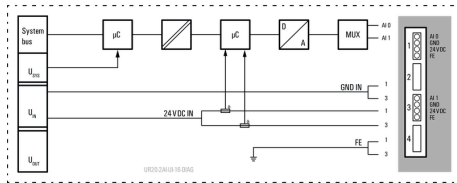
UR20-2AI-UI-16-DIAG

Weidmüller Interface GmbH & Co. KG
 Klingenbergstraße 26
 D-32758 Detmold
 Germany

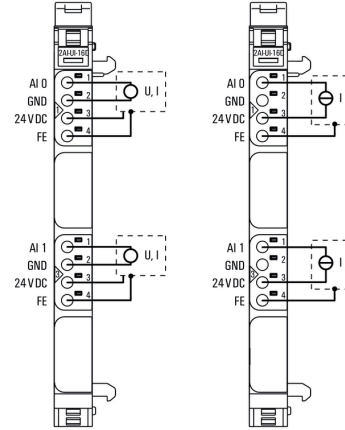
www.weidmueller.com

Drawings

Block diagram

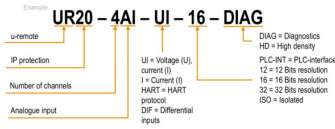


Connection diagram



Explanation of abbreviations

Analogue input modules



UR20-2AI-UI-16-DIAG

Weidmüller Interface GmbH & Co. KG
 Klingenbergstraße 26
 D-32758 Detmold
 Germany

www.weidmueller.com

Replacement parts

Basic modules



General ordering data

Type	UR20-BM-SP	Version	Packaging
Order No.	1350930000	Replacement part , Flange-mounted housing	Cardboard
GTIN (EAN)	4050118402735		box
Qty.	5 pc(s).		

Plugkit



General ordering data

Type	UR20-PK-2566090000-SP
Order No.	2568070000
GTIN (EAN)	4050118578904
Qty.	5 pc(s).

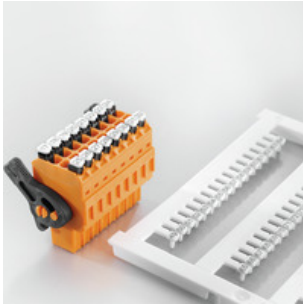
UR20-2AI-UI-16-DIAG

Weidmüller Interface GmbH & Co. KG
 Klingenbergstraße 26
 D-32758 Detmold
 Germany

www.weidmueller.com

Accessories

Custom printing



General ordering data

Type	PM 2.7/2.6 MC SDR	Version
Order No.	1323700000	OMNIMATE Signal - series PM, Pusher markers, 2.7 x 2.6 mm, Pitch in
GTIN (EAN)	4050118126761	mm (P): 3.50 Weidmueller, To customer specification
Qty.	192 pc(s).	

Accessories



System accessory

Discover a wide range of accessories for your u-remote system - the ideal addition to make your applications even more efficient and flexible.

General ordering data

Type	UR20-SM-ACC	Version
Order No.	1339920000	Cover, ,
GTIN (EAN)	4050118144727	
Qty.	20 pc(s).	
Type	UR20-EBK-ACC	Version
Order No.	1346610000	End bracket, ,
GTIN (EAN)	4050118151596	
Qty.	5 pc(s).	

UR20-2AI-UI-16-DIAG

Weidmüller Interface GmbH & Co. KG
 Klingenbergstraße 26
 D-32758 Detmold
 Germany

www.weidmueller.com

Accessories

Aluminum



Aluminum has the second best electrical conductivity after copper. One advantage is low weight, another is outstanding corrosion protection.

General ordering data

Type	TS 35X7.5 2M/AL/BK	Version
Order No.	0330800000	Rail, TS 35, TS 35 x 7.5, without slot, Aluminium, untreated
GTIN (EAN)	4008190100650	
Qty.	2 m	

Blank



The Dekafix (DEK) marker is the universal marker for all conductor and plug-in connectors as well as for electronic sub-assemblies. The system is ideal for short number sequences and covers a wide range of ready-printed markers.

Strips for fast installation in only one work step. The printing is easy to read, rich in contrast and available in various widths.

- Large range of ready-to-use markers
- Strips for fast installation
- Terminal markers, suitable for all Weidmüller cable connectors
- Available as blank MultiCard or with standard printing

For custom printing: Please send us a file of our labeling software M-Print PRO or M-Print PRO Online (without installation) for your labeling specifications.

General ordering data

Type	DEK 5/8-11.5 MC NE WS	Version
Order No.	1341630000	Dekafix, Terminal marker, 5 x 8 mm, Pitch in mm (P): 8.00
GTIN (EAN)	4050118145946	Weidmueller, white
Qty.	500 pc(s).	

UR20-2AI-UI-16-DIAG

Weidmüller Interface GmbH & Co. KG
 Klingenbergstraße 26
 D-32758 Detmold
 Germany

www.weidmueller.com

Accessories

Stainless steel



Stainless steel is a collective term for all types of steel (alloys) with a high degree of purity and corrosion resistance.

General ordering data

Type	TS 35X7.5 2M/CRN	Version
Order No.	1747350000	Rail, TS 35, TS 35 x 7.5, without slot, Stainless steel, rust-proof.
GTIN (EAN)	4032248003372	Stainless steel 1.4301, untreated
Qty.	2 m	

Steel



Steel DIN rails are the most widespread on the market. Among metal DIN rails, they have the lowest shortcircuit protection, similar to stainless steel.

General ordering data

Type	TS 35X7.5/LL 2M/ST/SZ	Version
Order No.	7915060000	Rail, TS 35, TS 35 x 7.5, with slot, Steel, galvanic zinc plated and passivated
GTIN (EAN)	4032248296279	
Qty.	2 m	
Type	TS 35X7.5/LL 1M/ST/ZN	Version
Order No.	0514510000	Rail, TS 35, TS 35 x 7.5, with slot, Steel, galvanic zinc plated and passivated
GTIN (EAN)	4008190116620	
Qty.	1 m	
Type	TS 35X7.5 2M/ST/ZN	Version
Order No.	0383400000	Rail, TS 35, TS 35 x 7.5, without slot, Steel, galvanic zinc plated and passivated
GTIN (EAN)	4008190088026	
Qty.	2 m	
Type	TS 35X7.5/LL 2M/ST/ZN	Version
Order No.	0514500000	Rail, TS 35, TS 35 x 7.5, with slot, Steel, galvanic zinc plated and passivated
GTIN (EAN)	4008190046019	
Qty.	2 m	

UR20-2AI-UI-16-DIAG

Weidmüller Interface GmbH & Co. KG
 Klingenbergstraße 26
 D-32758 Detmold
 Germany

www.weidmueller.com

Accessories

Custom printing



The Dekafix (DEK) marker is the universal marker for all conductor and plug-in connectors as well as for electronic sub-assemblies. The system is ideal for short number sequences and covers a wide range of ready-printed markers.

Strips for fast installation in only one work step. The printing is easy to read, rich in contrast and available in various widths.

- Large range of ready-to-use markers
- Strips for fast installation
- Terminal markers, suitable for all Weidmüller cable connectors
- Available as blank MultiCard or with standard printing

For custom printing: Please send us a file of our labeling software M-Print PRO or M-Print PRO Online (without installation) for your labeling specifications.

General ordering data

Type	DEK 5/8-11.5 MC SDR	Version	
Order No.	1341610000		Dekafix, Terminal marker, 5 x 8 mm, Pitch in mm (P): 8.00
GTIN (EAN)	4050118146059		Weidmueller, To customer specification
Qty.	100 pc(s).		

Blank



General ordering data

Type	PM 2.7/2.6 MC NE WS	Version	
Order No.	1323710000		OMNIMATE Signal - series PM, Pusher markers, 2.7 x 2.6 mm, Pitch in mm (P): 3.50 Weidmueller, white
GTIN (EAN)	4050118126778		
Qty.	960 pc(s).		