



RAYCHEM | RAYCHEM TXR

TE Internal #: 255195-000

Ruggedized, Backshell, .01 – .63 in [.2 – 15.9 mm] Cable Entry,
Aluminum, Right Angle, Shell Size 12 / 14 / 14S, Entry Size Code 10,
RAYCHEM TXR

[View on TE.com >](#)

Connectors > Connector Accessories > Connector Backshells



Connector Backshell Product Style: **Ruggedized**

Connector Backshell Product Type: **Backshell**

Cable Entry Diameter: **.2 – 15.9 mm [.01 – .63 in]**

Primary Product Material: **Aluminum**

Body Orientation: **Right Angle**

Features

Product Type Features

Termination Device Included	TR10AI
Connector Backshell Product Style	Ruggedized
Connector Backshell Product Type	Backshell
Termination Device Type	Side-Entry Tinel-Lock Ring, Tinel-Lock Adapter, Tinel-Lock Ring

Body Features

Primary Product Color	Bright
Primary Product Material	Aluminum
Primary Product Plating Material	Electroless Nickel (AMS-C-26074)

Housing Features

Body Orientation	Right Angle
Compatible With Connector Shape	Circular

Dimensions

Compatible Cable Diameter Range	7.9 – 12.7 mm [.313 – .5 in]
Product Length	47.8 mm [1.88 in]
Cable Entry Diameter	.2 – 15.9 mm [.01 – .63 in]

Usage Conditions

--	--



Salt Spray Resistance	48 Hr
-----------------------	-------

Operating Temperature Range	-65 – 200 °C[-85 – 392 °F]
-----------------------------	----------------------------

Operation/Application

Compatible With Connector Shell Size	12, 14, 14S
--------------------------------------	-------------

Industry Standards

Connector Detail Specification Number	AS34001, AS34011, AS34041, AS34061, AS34081, AS34091, AS34121, AS34241, AS34461, AS34501, AS34511, AS34541, AS34561, AS34641, AS34671, AS34681, M83723/01, M83723/02, M83723/03, M83723/04, M83723/05, M83723/06, M83723/07, M83723/08, M83723/13, M83723/14, M83723/36, M83723/37, M83723/38, M83723/39, M83723/40, M83723/41, M83723/42, M83723/43, M83723/48, M83723/49, M83723/65, M83723/66, M83723/67, M83723/68, M83723/69, M83723/71, M83723/72, M83723/73, M83723/74, M83723/75, M83723/76, M83723/77, M83723/78, M83723/82, M83723/83, M83723/84, M83723/85, M83723/86, M83723/87, M83723/91, M83723/92, M83723/95, M83723/96, M83723/97, M83723/98, MS3459, MS3470, MS3471, MS3472, MS3474, MS3475, MS3476, NAS 1599, NAS 1641, NAS 1642, NAS 1643, NAS 1650, NAS 1651, NAS 1652, NAS 1653, NAS 1692, NAS 1693, NAS 1694, NAS 1699, NAS 1700, NAS 1701, NAS 1702
---------------------------------------	---

Other

Connector Interface Specification	AS50151 Class D,L,U,W Crimp Contact, AS50151 Class D,L,U,W Crimp Contact Less ENDBELL, AS50151 Class L,W Crimp Contact, AS50151 Crimp Contact, AS81703 Series 3, AS81703 Series 3/Class E,L, MIL-DTL-26482 Series 2/Class A,L, MIL-DTL-83723 Series I/Class A,G,R, MIL-DTL-83723 Series I/Class G,R, MIL-DTL-83723 Series III /Class A,G,K,R, MIL-DTL-83723 Series III /Class A,G,K,R,S, MIL-DTL-83723 Series III /Class A,G,R, MIL-DTL-83723 Series III /Class G,R, MIL-DTL-83723 Series III/Class G,R,W, MIL-DTL-83723 Series III/Class S, MIL-DTL-83723 Series III/Class H
-----------------------------------	---

TE Connector Interface Code	54
-----------------------------	----



Entry Size Code	10
-----------------	----

Product Compliance

[For compliance documentation, visit the product page on TE.com>](#)

EU RoHS Directive 2011/65/EU	Compliant with Exemptions
EU ELV Directive 2000/53/EC	Compliant with Exemptions
China RoHS 2 Directive MIIT Order No 32, 2016	Restricted Materials Above Threshold
EU REACH Regulation (EC) No. 1907/2006	Current ECHA Candidate List: JUNE 2023 (235) Candidate List Declared Against: JUL 2021 (219) SVHC > Threshold: Pb (.3% in BODY & NUT) Article Safe Usage Statements: Do not eat, drink or smoke when using this product. Wash thoroughly after handling. Recycle if possible and dispose of the article by following all applicable governmental regulations relevant to your geographic location.
Halogen Content	Low Halogen - Br, Cl, F, I < 900 ppm per homogenous material. Also BFR/CFR/PVC Free
Solder Process Capability	Not applicable for solder process capability

Product Compliance Disclaimer

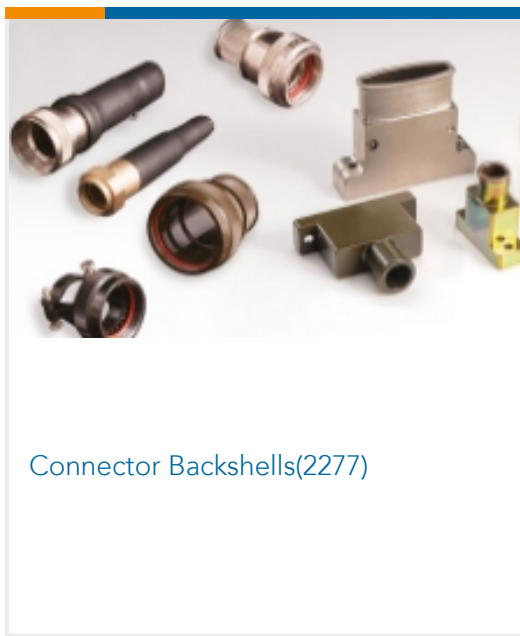
This information is provided based on reasonable inquiry of our suppliers and represents our current actual knowledge based on the information they provided. This information is subject to change. The part numbers that TE has identified as EU RoHS compliant have a maximum concentration of 0.1% by weight in homogenous materials for lead, hexavalent chromium, mercury, PBB, PBDE, DBP, BBP, DEHP, DIBP, and 0.01% for cadmium, or qualify for an exemption to these limits as defined in the Annexes of Directive 2011/65/EU (RoHS2). Finished electrical and electronic equipment products will be CE marked as required by Directive 2011/65/EU. Components may not be CE marked. Additionally, the part numbers that TE has identified as EU ELV compliant have a maximum concentration of 0.1% by weight in homogenous materials for lead, hexavalent chromium, and mercury, and 0.01% for cadmium, or qualify for an exemption to these limits as defined in the Annexes of Directive 2000/53/EC (ELV). Regarding the REACH Regulation, the information TE provides on SVHC in articles for this part number is based on the latest European Chemicals Agency (ECHA) 'Guidance on requirements for substances in articles' posted at this URL: <https://echa.europa.eu/guidance-documents/guidance-on-reach>

Compatible Parts



TE Part # 173643-000
RH-3960-1-TINEL-KIT-120V

Also in the Series | **RAYCHEM TXR**



Connector Backshells(2277)

Customers Also Bought



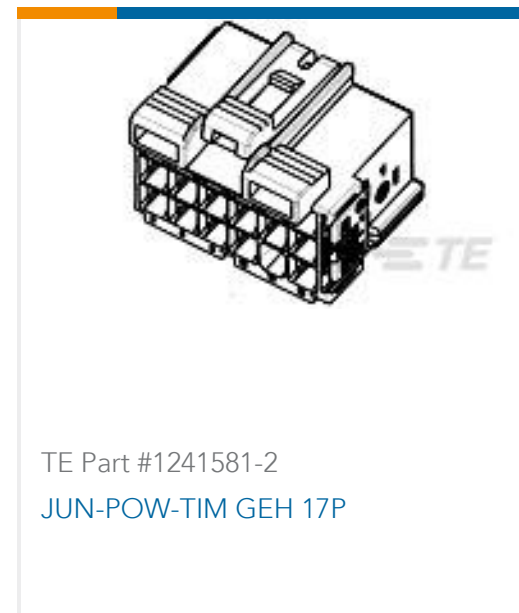
TE Part #7-1676123-7
1/2W SM M/OX 5% 1K2



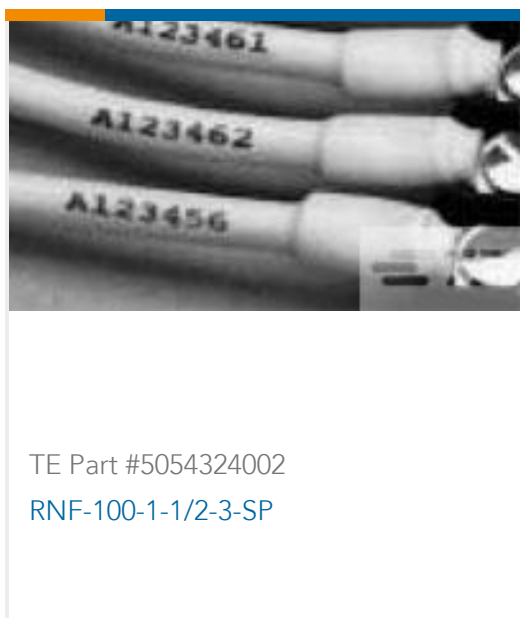
TE Part #7-1676123-9
1/2W SM M/OX 5% 1K5



TE Part #6-1676123-0
1/2W SM M/OX 5% 240R



TE Part #1241581-2
JUN-POW-TIM GEH 17P



TE Part #5054324002
RNF-100-1-1/2-3-SP



TE Part #165616-5
110 PIDG FASTON REC



TE Part #926647-2
15P UN-MNL AUFN-GEH

Documents

Product Drawings

[TXR54AC90-1410AI](#)

English

CAD Files

[3D PDF](#)

3D

Customer View Model

[ENG_CVM_CVM_255195-000_O.2d_dxf.zip](#)

English

Customer View Model

[ENG_CVM_CVM_255195-000_O.3d_igs.zip](#)

English

Customer View Model

[ENG_CVM_CVM_255195-000_O.3d_stp.zip](#)

English

By downloading the CAD file I accept and agree to the [Terms and Conditions](#) of use.



Datasheets & Catalog Pages

5-1654025-5_sec6_Adapters

English

Circular Backshells

English

Product Specifications

General Information Package for Tinel-Lock Adapters

English

Braid termination using a Tinel Lock Ring installed using a resistance heater.

French

Braid termination using a Tinel Lock Ring installed using a resistance heater.

English

PERFORMANCE SPECIFICATION Tinel-Lock Rings, Heat Recoverable for Braid Termination

English

General Harness Repair Manual

English

ASSEMBLY GUIDE for Tinel -Lock Rings, Heat Recoverable for Braid Temination

English

Product Specification

English