



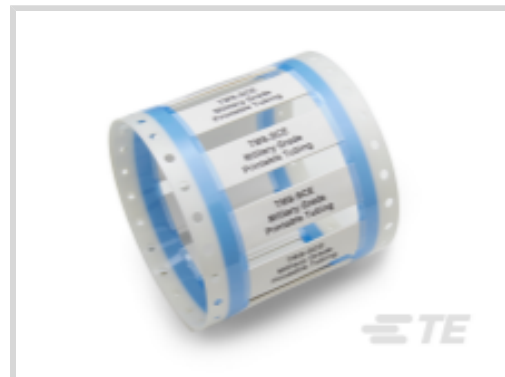
TMS-SCE-2X

TE Internal #: 251895-000

Printable Tubing, Ladder, Military, 2:1 Shrink Ratio, White, Markers per Sleeve 1, Length 2 in [50 mm], TMS-SCE-2X

[View on TE.com >](#)

Identification & Labeling > Printable Tubing > Military Grade Sleeves TMS-SCE-2X



Printable Tubing Type: **Ladder**

Printable Tubing Grade: **Military**

Shrink Ratio: **2:1**

Primary Product Color: **White**

Markers per Sleeve: **1**

[All Military Grade Sleeves TMS-SCE-2X \(32\)](#)

Features

Product Type Features

Printable Tubing Type	Ladder
Printable Tubing Grade	Military

Body Features

Shrink Ratio	2:1
Primary Product Color	White
Markers per Sleeve	1

Dimensions

Product Length	50 mm[2 in]
Expanded Inside Diameter (Min)	3.18 mm[.125 in]
Recovered Inside Diameter (Max)	1.5 mm[.062 in]
Compatible Cable Diameter Range	1.1 – 2.6 mm[.044 – .105 in]

Usage Conditions

Operating Temperature Range	-55 – 135 °C[-67 – 275 °F]
-----------------------------	----------------------------

Printer/Label Features

Printer Technology	Thermal Transfer
--------------------	------------------

Packaging Features



Packaging Quantity	1000
--------------------	------

Product Compliance

[For compliance documentation, visit the product page on TE.com>](#)

EU RoHS Directive 2011/65/EU	Compliant
EU ELV Directive 2000/53/EC	Compliant
China RoHS 2 Directive MIIT Order No 32, 2016	No Restricted Materials Above Threshold
EU REACH Regulation (EC) No. 1907/2006	Current ECHA Candidate List: JUNE 2023 (235) Candidate List Declared Against: JUNE 2023 (235) Does not contain REACH SVHC
Halogen Content	Not Low Halogen - contains Br or Cl > 900 ppm.
Solder Process Capability	Not applicable for solder process capability

Product Compliance Disclaimer

This information is provided based on reasonable inquiry of our suppliers and represents our current actual knowledge based on the information they provided. This information is subject to change. The part numbers that TE has identified as EU RoHS compliant have a maximum concentration of 0.1% by weight in homogenous materials for lead, hexavalent chromium, mercury, PBB, PBDE, DBP, BBP, DEHP, DIBP, and 0.01% for cadmium, or qualify for an exemption to these limits as defined in the Annexes of Directive 2011/65/EU (RoHS2). Finished electrical and electronic equipment products will be CE marked as required by Directive 2011/65/EU. Components may not be CE marked. Additionally, the part numbers that TE has identified as EU ELV compliant have a maximum concentration of 0.1% by weight in homogenous materials for lead, hexavalent chromium, and mercury, and 0.01% for cadmium, or qualify for an exemption to these limits as defined in the Annexes of Directive 2000/53/EC (ELV). Regarding the REACH Regulation, the information TE provides on SVHC in articles for this part number is based on the latest European Chemicals Agency (ECHA) 'Guidance on requirements for substances in articles' posted at this URL: <https://echa.europa.eu/guidance-documents/guidance-on-reach>

Compatible Parts

 <p>TE Part # 1-2186500-1 T3212-PRINTER</p>	 <p>TE Part # 1-2186503-1 T3224-SWARE-PRINTER</p>	 <p>TE Part # 1-2186501-1 T3212-SWARE-PRINTER</p>	 <p>TE Part # 1-2186502-1 T3224-PRINTER</p>
--	--	--	--

Also in the Series | [TMS-SCE-2X](#)

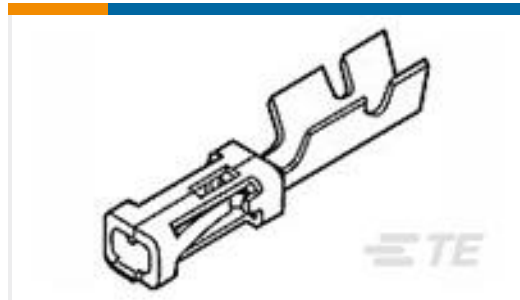


Printable Tubing(32)

Customers Also Bought



TE Part #205210-3
PLUG ASSY SIZE 4



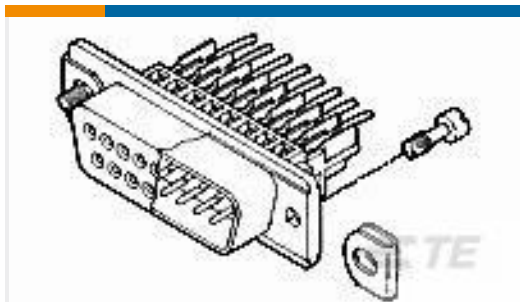
TE Part #102128-1
MOD V RECP LP



TE Part #102387-3
16 MODIV HSG COMP DR .100 POL



TE Part #5-146254-4
08 MODII HDR DRST B/A .100CL



TE Part #5745647-1
HD KIT, MALE SCREW RET.



TE Part #115477-000
55A1821-24-2/6-9CS2275



TE Part #F15113-000
TMS-SCE-2X-1K-3/32-9



TE Part #2000314-1
Assy, Recept, Dsub Quadrax, RtAng, 4 Pos



TE Part #2000317-1
Kit, Plug, Dsub Quadrax, Four Position

Documents

Product Drawings

[TMS-SCE-2X-1K-1/8-9](#)

English

Datasheets & Catalog Pages

[IDENTIFICATION SELECTION GUIDE](#)

English

[TMS-SCE Heat Shrinkable Sleeves](#)

English



Cable Identification Product Shelf Life

English

Product Specifications

Product Specification

English

IDENTIFICATION PRINTER PRODUCT RIBBON MATRIX

English

Instruction Sheets

Instruction Sheet (non U.S.)

English