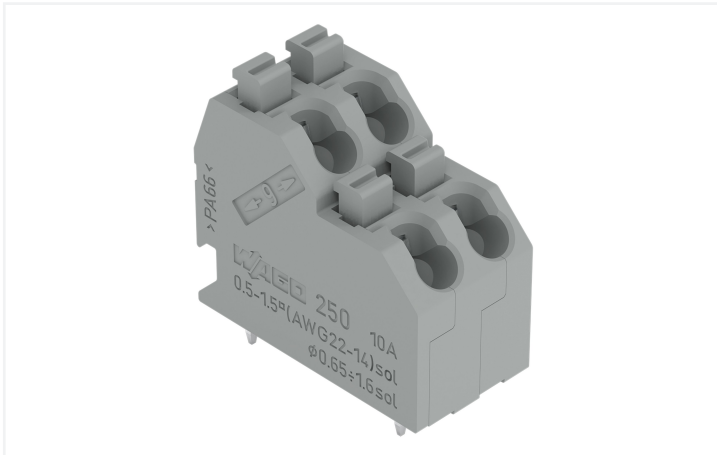


## Data Sheet | Item Number: 250-703

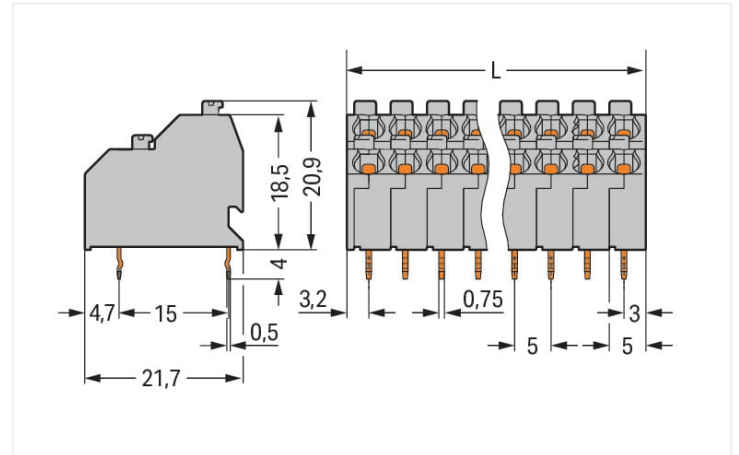
Double-deck PCB terminal block; push-button; 1.5 mm<sup>2</sup>; Pin spacing 5 mm; 6-pole;  
Push-in CAGE CLAMP®; 1,50 mm<sup>2</sup>; agate gray

<https://www.wago.com/250-703>



Color: ■ agate gray

Similar to illustration



Dimensions in mm

$L = ((\text{Polzahl} / 2) \times \text{Rastermaß}) + 1,2 \text{ mm}$

- Space-saving, double-deck terminal strips with push-buttons
- Push-in termination of solid and ferruled conductors
- Termination/removal of fine-stranded conductors via push-buttons
- 45° conductor entry angle provides easy, space-saving wiring

### Notes

Variants:

Other versions (or variants) can be requested from WAGO Sales or configured at <https://configurator.wago.com/>.

Other pole numbers

Other colors

Direct marking

### Electrical data

| Ratings per          | IEC/EN 60664-1 |       |       |
|----------------------|----------------|-------|-------|
| Overvoltage category | III            | III   | II    |
| Pollution degree     | 3              | 2     | 2     |
| Nominal voltage      | 320 V          | 320 V | 630 V |
| Rated surge voltage  | 4 kV           | 4 kV  | 4 kV  |
| Rated current        | 10 A           | 10 A  | 10 A  |

| Approvals per | UL 1059 |   |       |
|---------------|---------|---|-------|
| Use group     | B       | C | D     |
| Rated voltage | 300 V   | - | 300 V |
| Rated current | 10 A    | - | 10 A  |

| Approvals per | CSA   |   |       |
|---------------|-------|---|-------|
| Use group     | B     | C | D     |
| Rated voltage | 300 V | - | 300 V |
| Rated current | 10 A  | - | 10 A  |

## Connection data

|                            |   |
|----------------------------|---|
| Clamping units             | 6 |
| Total number of potentials | 6 |
| Number of connection types | 1 |
| Number of levels           | 2 |

## Connection 1

|   |   |
|---|---|
| Connection technology                             | Push-in CAGE CLAMP®   |
| Actuation type                                    | Push-button   |
| Solid conductor                                   | 0.5 ... 1.5 mm <sup>2</sup> / 20 ... 16 AWG   |
| Fine-stranded conductor                           | 0.75 ... 1.5 mm <sup>2</sup>  |
| Fine-stranded conductor; with insulated ferrule   | 0.5 ... 1 mm <sup>2</sup>   |
| Fine-stranded conductor; with uninsulated ferrule | 0.5 ... 1 mm <sup>2</sup>   |
| Note (conductor cross-section)                    | Fine-stranded conductor 0.75 ... 1.5 mm <sup>2</sup> (I max. 4 A)<br>Fine-stranded conductor 0.5 mm <sup>2</sup> (I max. 2 A) |
| Strip length                                      | 9 ... 10 mm / 0.35 ... 0.39 inches  |
| Conductor connection direction to PCB             | 45 °  |
| Pole number                                       | 6   |

## Physical data

|                                      |                                   |
|--------------------------------------|-----------------------------------|
| Pin spacing                          | 5 mm / 0.197 inches               |
| Width                                | 16.2 mm / 0.638 inches            |
| Height                               | 24.9 mm / 0.98 inches             |
| Height from the surface              | 20.9 mm / 0.823 inches            |
| Depth                                | 21.7 mm / 0.854 inches            |
| Solder pin length                    | 4 mm                              |
| Solder pin dimensions                | 0.5 x 0.75 mm                     |
| Drilled hole diameter with tolerance | 1.2 <sup>(-0.1 ... +0.1)</sup> mm |

## PCB contact

|                                     |  |
|-------------------------------------|--|
| PCB contact                         | THT                                      |
| Solder pin arrangement              | over the entire terminal strip (in-line) |
| Number of solder pins per potential | 1  |

## Material data

|                                    |  |
|------------------------------------|--|
| Note (material data)               | <a href="#">Information on material specifications can be found here</a> |
| Color                              | agate gray   |
| Material group                     | I  |
| Insulation material (main housing) | Polyamide (PA66)   |
| Flammability class per UL94        | V0   |
| Clamping spring material           | Chrome-nickel spring steel (CrNi)  |
| Contact material                   | Electrolytic copper (E <sub>Cu</sub> )                                   |
| Contact Plating                    | Tin  |
| Fire load                          | 0.251 MJ   |
| Weight                             | 5.9 g  |

### Environmental requirements

|                         |                 |
|-------------------------|-----------------|
| Limit temperature range | -60 ... +105 °C |
|-------------------------|-----------------|

### Commercial data

|                       |                                |
|-----------------------|--------------------------------|
| Product Group         | 4 (Printed Circuit Connectors) |
| eCl@ss 10.0           | 27-44-04-01                    |
| eCl@ss 9.0            | 27-44-04-01                    |
| ETIM 9.0              | EC002643                       |
| ETIM 8.0              | EC002643                       |
| PU (SPU)              | 180 (45) pcs                   |
| Packaging type        | Box                            |
| Country of origin     | PL                             |
| GTIN                  | 4044918300896                  |
| Customs tariff number | 85369010000                    |

### Environmental Product Compliance

|                        |                         |
|------------------------|-------------------------|
| RoHS Compliance Status | Compliant, No Exemption |
|------------------------|-------------------------|

### Approvals / Certificates

#### General approvals



| Approval                               | Standard | Certificate Name |
|--|----------|------------------|
| CCA<br>DEKRA Certification B.V.        | EN 60947 | NTR NL 7833/2    |
| CCA<br>DEKRA Certification B.V.        | EN 60998 | NTR NL-7705/1    |
| CSA<br>DEKRA Certification B.V.        | C22.2    | 1132097          |
| KEMA/KEUR<br>DEKRA Certification B.V.  | EN 60947 | 2160584.18       |
| KEMA/KEUR<br>DEKRA Certification B.V.  | EN 60998 | 71-124629        |
| UL<br>UL International Germany<br>GmbH | UL 1059  | E45172           |

#### Declarations of conformity and manufacturer's declarations

| Approval  | Standard | Certificate Name |
|---|----------|------------------|
| EU-Declaration of Confor-<br>mity<br>WAGO GmbH & Co. KG | -        | -                |
| UK-Declaration of Confor-<br>mity<br>WAGO GmbH & Co. KG | -        | -                |

### Approvals for marine applications



| Approval                                | Standard | Certificate Name |
|---|----------|------------------|
| ABS<br>American Bureau of Ship-<br>ping | -        | 19-HG1869876-PDA |
| DNV<br>DNV GL SE                        | -        | TAE000016Z       |

## Downloads

### Environmental Product Compliance

|  |  |  |   |
|--|--|--|---|
| Compliance Search                        |  |  |   |
| Environmental Product Compliance 250-703 |  |  | ↓ |

## Documentation

|                        |            |                   |   |
|------------------------|------------|-------------------|---|
| Additional Information |            |                   |   |
| Technical Section      | 03.04.2019 | pdf<br>2027.26 KB | ↓ |

## CAD/CAE-Data

|                      |  |  |   |
|----------------------|--|--|---|
| CAD data             |  |  |   |
| 2D/3D Models 250-703 |  |  | ↓ |

|                           |   |
|---------------------------|---|
| CAE data                  |   |
| EPLAN Data Portal 250-703 | ↓ |
| ZUKEN Portal 250-703      | ↓ |

|  |   |
|--|---|
| PCB Design                                       |   |
| Symbol and Footprint via SamacSys 250-703        | ↓ |
| Symbol and Footprint via Ultra Librarian 250-703 | ↓ |

## 1 Compatible Products

### 1.1 Optional Accessories

#### 1.1.1 Ferrule

##### 1.1.1.1 Ferrule

|  |  |  |   |
|--|--|--|---|
|  |  |  |   |
| <p><b>Item No.: 216-241</b><br/>                 Ferrule; Sleeve for 0.5 mm<sup>2</sup> / 20 AWG; insulated; electro-tin plated; electrolytic copper; gastight crimped; acc. to DIN 46228, Part 4/09.90; white</p> | <p><b>Item No.: 216-141</b><br/>                 Ferrule; Sleeve for 0.5 mm<sup>2</sup> / 20 AWG; un-insulated; electro-tin plated; electrolytic copper; gastight crimped; acc. to DIN 46228, Part 1/08.92</p> | <p><b>Item No.: 216-242</b><br/>                 Ferrule; Sleeve for 0.75 mm<sup>2</sup> / 18 AWG; insulated; electro-tin plated; electrolytic copper; gastight crimped; acc. to DIN 46228, Part 4/09.90; gray</p> | <p><b>Item No.: 216-262</b><br/>                 Ferrule; Sleeve for 0.75 mm<sup>2</sup> / 18 AWG; un-insulated; electro-tin plated; electrolytic copper; gastight crimped; acc. to DIN 46228, Part 4/09.90; gray</p> |
|  |  |  |   |
| <p><b>Item No.: 216-142</b><br/>                 Ferrule; Sleeve for 0.75 mm<sup>2</sup> / 18 AWG; un-insulated; electro-tin plated; electrolytic copper; gastight crimped; acc. to DIN 46228, Part 1/08.92</p>    | <p><b>Item No.: 216-243</b><br/>                 Ferrule; Sleeve for 1 mm<sup>2</sup> / AWG 18; insulated; electro-tin plated; electrolytic copper; gastight crimped; acc. to DIN 46228, Part 4/09.90; red</p> | <p><b>Item No.: 216-263</b><br/>                 Ferrule; Sleeve for 1 mm<sup>2</sup> / AWG 18; un-insulated; electro-tin plated; electrolytic copper; gastight crimped; acc. to DIN 46228, Part 4/09.90; red</p>  | <p><b>Item No.: 216-143</b><br/>                 Ferrule; Sleeve for 1 mm<sup>2</sup> / AWG 18; un-insulated; electro-tin plated; electrolytic copper; gastight crimped; acc. to DIN 46228, Part 1/08.92</p>          |

## 1.1.2 Marking

### 1.1.2.1 Marking strip



**Item No.: 210-332/500-202**

Marking strips; as a DIN A4 sheet; MARKED; 1-16 (160x); Height of marker strip: 3 mm; Strip length 182 mm; Horizontal marking; Self-adhesive; white



**Item No.: 210-332/500-205**

Marking strips; as a DIN A4 sheet; MARKED; 1-32 (80x); Height of marker strip: 3 mm; Strip length 182 mm; Horizontal marking; Self-adhesive; white



**Item No.: 210-332/500-204**

Marking strips; as a DIN A4 sheet; MARKED; 17-32 (160x); Height of marker strip: 3 mm; Strip length 182 mm; Horizontal marking; Self-adhesive; white



**Item No.: 210-332/500-206**

Marking strips; as a DIN A4 sheet; MARKED; 33-48 (160x); Height of marker strip: 3 mm; Strip length 182 mm; Horizontal marking; Self-adhesive; white

## 1.1.3 Test and measurement

### 1.1.3.1 Testing accessories



**Item No.: 210-136**

Test plug; 2 mm Ø; with 500 mm cable; red

## 1.1.4 Tool

### 1.1.4.1 Operating tool



**Item No.: 210-719**

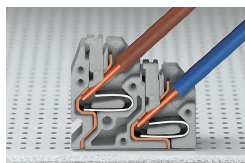
Operating tool; Blade: 2.5 x 0.4 mm; with a partially insulated shaft



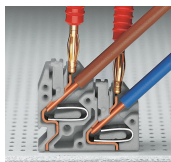
**Item No.: 210-647**

Operating tool; Blade: 2.5 x 0.4 mm; with a partially insulated shaft; multicoloured

## Installation Notes

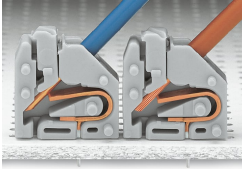


Space-saving wiring – push-in termination of solid conductors.



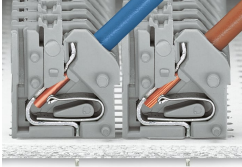
Testing with 2 mm Ø test plug – touch contact.

### Conductor termination



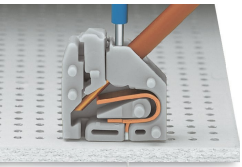
Inserting solid conductors via push-in termination.  
Inserting fine-stranded conductors via push-buttons, 250 Series – 3.5 mm pin spacing.

### Conductor termination

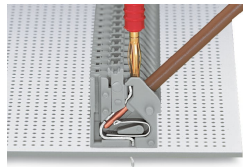


Space-saving wiring, 250 Series – 5 mm pin spacing.

### Testing

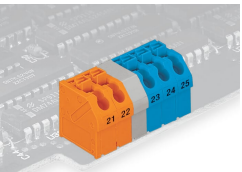


Testing with 11 mm Ø test pin, on the conductor, 250 Series – 2.5 ... 3.5 mm pin spacing.

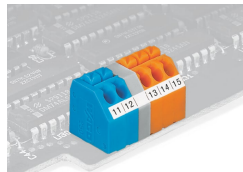


Testing with 2 mm Ø test plug, touch contact, 250 Series – 5 mm pin spacing.

### Marking



Labeling via self-adhesive strips or direct marking. Mixed-color terminal strips (with or without spacer) are available upon request.



Labeling via self-adhesive strips or direct marking. Mixed-color terminal strips (with or without spacer) are available upon request.