

DRIKIT 24VDC 1CO LD/PB

Weidmüller Interfaces GmbH & Co. KG

Postfach 3030

32760 Detmold

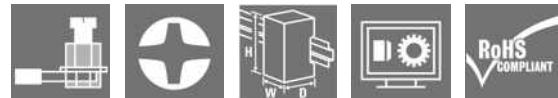
Tel. +49 5231 14-0

Fax. +49 5231 14-2083

info@weidmueller.com

www.weidmueller.com

Product image



Similar to illustration

- Mounted kit consisting relay, socket and retaining clip
- 100 % function tested
- 100 % check of the dielectric strenght between input - output
- 1 CO contact
- Optional: Test button with coloured identification of coils (AC red / DC blue)
- Bright status LED (AC coil: red / DC coil: green)

General ordering data

Version	D-SERIES DRI, Relay module, Number of contacts: 1, CO contact AgSnO, Rated control voltage: 24 V DC, Continuous current: 10 A, Screw connection, Test button available: Yes
Order No.	2476750000
Type	DRIKIT 24VDC 1CO LD/PB
GTIN (EAN)	4050118496970
Qty.	10 pc(s).
Relevant relay	7760056315
Relevant base	7760056350

DRIKIT 24VDC 1CO LD/PB

Weidmüller Interfaces GmbH & Co. KG

Postfach 3030

32760 Detmold

Tel. +49 5231 14-0

Fax. +49 5231 14-2083

info@weidmueller.com

www.weidmueller.com

Technical data

Dimensions and weights

Depth	68 mm	Depth (inches)	2.677 inch
Height	80.2 mm	Height (inches)	3.157 inch
Width	15.8 mm	Width (inches)	0.622 inch
Net weight	59.5 g		

Temperatures

Storage temperature	-40 °C...85 °C	Operating temperature	-40 °C...55 °C
Humidity	35...85 % rel. humidity, no condensation		

Control side

Rated control voltage	24 V DC	Rated current DC	21,8 mA
Power rating	530 mW	Pull-in/drop-out voltage, typ.	18 V / 3.6 V DC
Coil resistance	1100 Ω ± 10 %	Coil tolerance	10 %
Status indicator	Green LED	Protective circuit	Free-wheeling diode

Load side

Rated switching voltage	250 V AC	Continuous current	10 A
Max. switching frequency at rated load	0.1 Hz	Max. switching voltage, DC	250 V
AC switching capacity (resistive), max.	2500 VA	DC switching capacity (resistive), max.	240 W @ 24 V
Switch-on delay	≤ 15 ms	Switch-off delay	≤ 10 ms
Contact type	1 CO contact (AgSnO)	Mechanical service life	10 x 10 ⁶ switching cycles
Min. switching power	10 mA @ 24 V, 10 mA @ 12 V, 100 mA @ 5 V		

General data

Rail	TS 35																								
Test button available	Yes																								
Version of test button	Lockable test button, Momentary test button																								
Mechanical switch position indicator	No																								
Colour	black																								
UL94 flammability rating component	<table border="1"> <tr> <td>Component</td> <td>Housing</td> </tr> <tr> <td>UL94 flammability rating</td> <td>V-2</td> </tr> <tr> <td>Component</td> <td>Mounting foot</td> </tr> <tr> <td>UL94 flammability rating</td> <td>HB</td> </tr> <tr> <td>Component</td> <td>Retaining clip</td> </tr> <tr> <td>UL94 flammability rating</td> <td>HB</td> </tr> <tr> <td>Component</td> <td>Relay cover</td> </tr> <tr> <td>UL94 flammability rating</td> <td>V-2</td> </tr> <tr> <td>Component</td> <td>Relay baseplate</td> </tr> <tr> <td>UL94 flammability rating</td> <td>V-0</td> </tr> <tr> <td>Component</td> <td>Relay test button</td> </tr> <tr> <td>UL94 flammability rating</td> <td>HB</td> </tr> </table>	Component	Housing	UL94 flammability rating	V-2	Component	Mounting foot	UL94 flammability rating	HB	Component	Retaining clip	UL94 flammability rating	HB	Component	Relay cover	UL94 flammability rating	V-2	Component	Relay baseplate	UL94 flammability rating	V-0	Component	Relay test button	UL94 flammability rating	HB
Component	Housing																								
UL94 flammability rating	V-2																								
Component	Mounting foot																								
UL94 flammability rating	HB																								
Component	Retaining clip																								
UL94 flammability rating	HB																								
Component	Relay cover																								
UL94 flammability rating	V-2																								
Component	Relay baseplate																								
UL94 flammability rating	V-0																								
Component	Relay test button																								
UL94 flammability rating	HB																								

DRIKIT 24VDC 1CO LD/PB
Weidmüller Interfaces GmbH & Co. KG

Postfach 3030

32760 Detmold

Tel. +49 5231 14-0

Fax. +49 5231 14-2083

info@weidmueller.com
Technical data
Insulation coordination

Rated voltage	250 V	Pollution severity	www.weidmueller.com
Surge voltage category	III	Insulating material group	IIIb
Clearance and creepage distances for control side - load side	≥ 3 mm	Dielectric strength for control side - load side	4 kV _{eff} / 1 Min.
Dielectric strength of open contact	1 kV _{eff} / 1 min	Impulse withstand voltage	4.8 kV (1.2/50 μs)
Protection degree	IP20		

Further details of approvals / standards

Standards	IEC 61810-1, EN 60664-1:2007, EN 61000-6-2:2005, EN 61000-6-4:2007 + A1:2011	Certificate no. (cURus) relay	E312083
Certificate no. (cURus) base	E355547		

Connection data

Wire connection method	Screw connection	Stripping length, rated connection	8 mm
Tightening torque, min.	0.5 Nm	Tightening torque, max.	0.8 Nm
Clamping range, rated connection	1.5 mm ²	Clamping range, min.	0.25 mm ²
Clamping range, max.	4 mm ²	Wire cross-section, solid, min.	0.25 mm ²
Wire cross-section, solid, max.	4 mm ²	Wire connection cross section, finely stranded, min.	0.25 mm ²
Wire connection cross section, finely stranded, max.	4 mm ²	Wire connection cross-section, finely stranded with wire-end ferrules DIN 46228/4, min.	0.25 mm ²
Wire connection cross-section, finely stranded with wire-end ferrules DIN 46228/4, max.	4 mm ²	Conductor cross-section, flexible, AEH (DIN 46228-1), min.	0.25 mm ²
Conductor cross-section, flexible, AEH (DIN 46228-1), max.	4 mm ²	Blade size	size PH 1
Gauge to IEC 60947-1	A3		

Classifications

ETIM 6.0	EC001437	ETIM 7.0	EC001437
ETIM 8.0	EC001437	ECLASS 9.0	27-37-16-01
ECLASS 9.1	27-37-16-01	ECLASS 10.0	27-37-16-01
ECLASS 11.0	27-37-16-01	ECLASS 12.0	27-37-16-01

Environmental Product Compliance

REACH SVHC	Lead 7439-92-1
SCIP	611f3393-31e7-4ef5-8360-95619a629f27

Approvals

Approvals



ROHS Conform

Data sheet**DRIKIT 24VDC 1CO LD/PB****Weidmüller Interfaces GmbH & Co. KG**

Postfach 3030

32760 Detmold

Tel. +49 5231 14-0

Fax. +49 5231 14-2083

info@weidmueller.com**Technical data****Downloads**

Approval/Certificate/Document of Conformity	EU Konformitätserklärung / EU Declaration of Conformity	www.weidmueller.com
---	---	--

Engineering Data	CAD data – STEP
------------------	---------------------------------

Engineering Data	WSCAD, Zuken E3.S
------------------	-----------------------------------

Product Change Notification	20210401 Product Change Notification D-SERIES DRI KITS - status indicator
-----------------------------	---

Catalogues	Catalogues in PDF-format
------------	--

DRIKIT 24VDC 1CO LD/PB

Weidmüller Interfaces GmbH & Co. KG

Postfach 3030

32760 Detmold

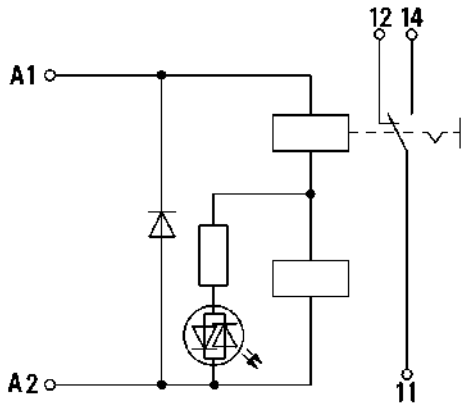
Tel. +49 5231 14-0

Fax. +49 5231 14-2083

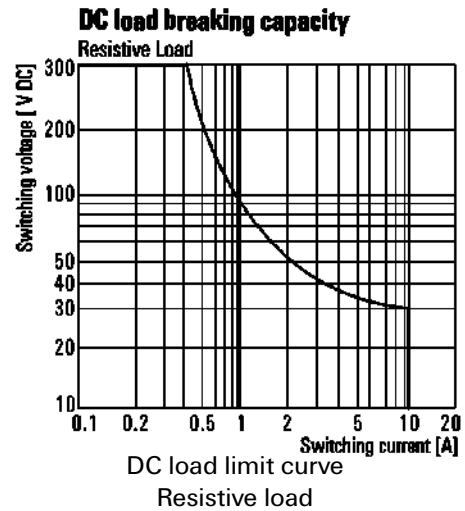
info@weidmueller.com

Drawings

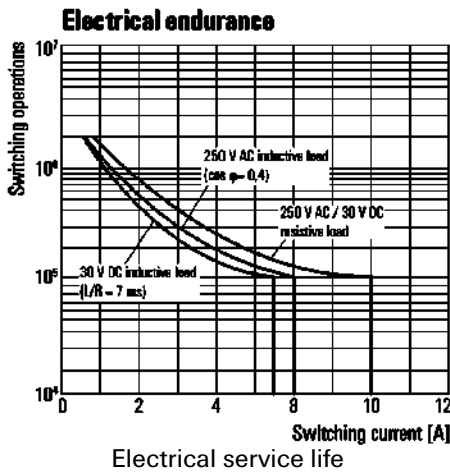
Wiring diagram



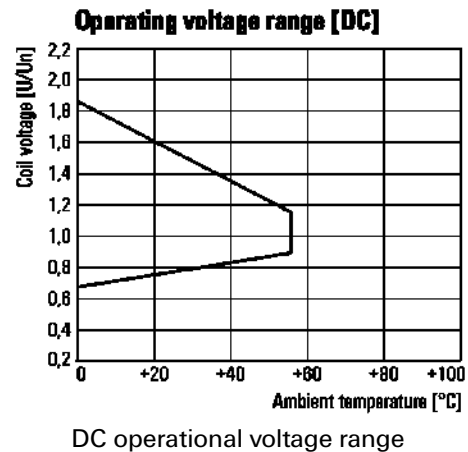
Graph



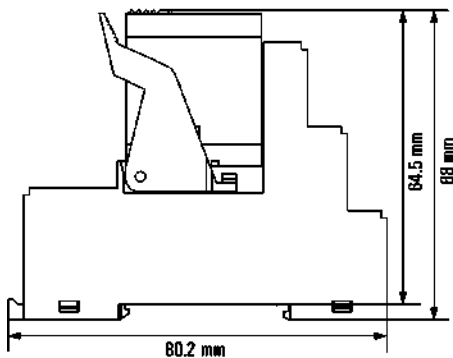
Graph



Graph



Dimensional drawing



DRIKIT 24VDC 1CO LD/PB

Weidmüller Interfaces GmbH & Co. KG

Postfach 3030

32760 Detmold

Tel. +49 5231 14-0

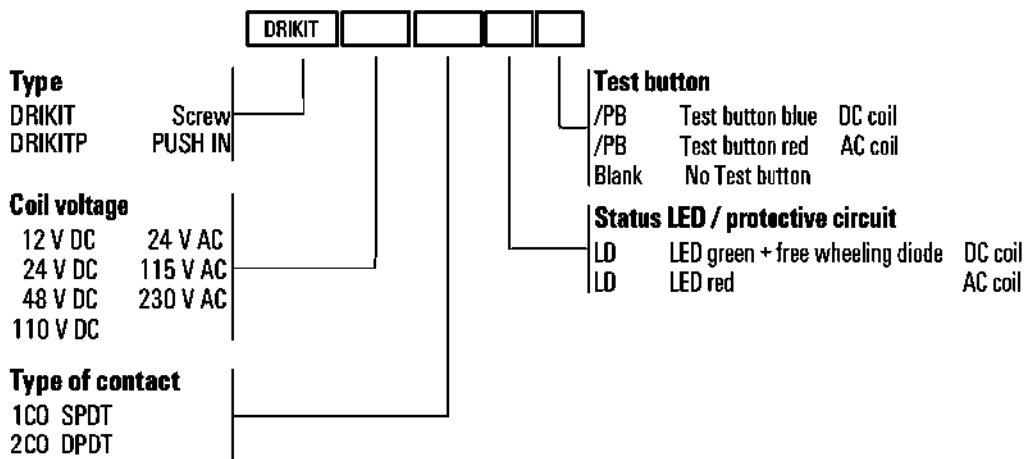
Fax. +49 5231 14-2083

info@weidmueller.com

www.weidmueller.com

Drawings

Miscellaneous



Type codes