

RJ45M R1D 3.3N4Y/G TY

Weidmüller Interface GmbH & Co. KG

Klingenbergstraße 26

D-32758 Detmold

Germany

www.weidmueller.com



RJ45 transmitter sockets (magnetics) for gigabit applications (1000 base-T) with integrated compensation actively counteracts inductive and capacitive couplings and saves space on the PCB.

The product range encompasses the following designs:

- 90°, lying (horizontal) and 180°, standing (vertical)
- latch up / latch down
- THT, THR or SMD soldering processes
- Wide range of different design types, also with integrated LEDs and shield contact tabs
- Transmission rates of up to 1 Gbps
- Packed either in a tray (TY) or on a roll (tape-on-reel, RL)
- Compatible with modular RJ45 connector according to ANSI / TIA-1096-A and IEC 60603
- Dielectric strength ≥ 1500 V AC RMS (2250 V AC peak value) according to IEEE 802.3
- Dielectric strength ≥ 1500 V AC (peak value) or ≥ 1500 V DC according to IEC 60603
- Compliance with IEEE 802.3 requirements (1000Base-T, 1 Gbps, IEEE 802.3ab or 100Base-Tx, 100 Mbps, IEEE 802.3u)

Properties and advantages:

- Extended temperature range of -40 °C to $+85$ °C for maximum performance
- Reinforced gold layer (30μ "") for improved corrosion protection

- At least 0.3mm stand-off ensures a perfect soldering result

General ordering data

Version	PCB plug-in connector, RJ45 jacks transformer, 10/100 MBit/s , THT/THR solder connection, 90°, Latch option: bottom, Shield tabs: none, 30...80 μ " Ni / ≥ 30 μ " Au , LED: Yes, yellow, green, Number of poles: 8, Tray (manual assembly)
Order No.	2461060000
Type	RJ45M R1D 3.3N4Y/G TY
GTIN (EAN)	4050118476439
Qty.	120 pc(s).
Packaging	Tray (manual assembly)

Creation date December 21, 2022 3:56:10 PM CET

RJ45M R1D 3.3N4Y/G TY

Weidmüller Interface GmbH & Co. KG

Klingenbergstraße 26

D-32758 Detmold

Germany

www.weidmueller.com

Technical data

Dimensions and weights

Depth	21.35 mm	Depth (inches)	0.841 inch
Height	16.8 mm	Height (inches)	0.661 inch
Height of lowest version	13.5 mm	Width	15.9 mm
Width (inches)	0.626 inch	Net weight	3.45 g

System specifications

Colour of left LED	yellow	Colour of right LED	green
LED	Yes	Latch option	bottom
Mounting onto the PCB	THT/THR solder connection	Number of poles	8
Number of solder pins per pole	1	Outgoing elbow	90°
Performance-Category	10/100 MBit/s	Pitch in inches (P)	0.05 inch
Pitch in mm (P)	1.27 mm	Plugging cycles	750
Product family	OMNIMATE Data - RJ45 transformer jack	Protection degree	IP20
Shield surface	nickel-plated	Shield tabs	none
Shielding	Yes	Shielding material	Brass
Solder pin dimensions	Octagonal	Solder pin length (l)	3.3 mm
Soldering process	Reflow soldering, Manual soldering, Wave soldering	Tolerance of solder pin position	± 0.1 mm
Transmission rate	10/100 MBit/s	Type of connection	Solder connection

Electrical properties

Dielectric strength, contact / contact	1000 V DC	Dielectric strength, contact / shield	1500 V DC
Rated current	1.5 A	Rated voltage	125 V

Material data

Insulating material	PA 9T	Colour	black
Colour chart (similar)	RAL 9011	Insulating material group	II
Comparative Tracking Index (CTI)	≥ 500	Moisture Level (MSL)	1
UL 94 flammability rating	V-0	Contact base material	Phosphorus bronze
Contact material	Phosphorus bronze	Contact surface	Gold over nickel
Layer structure of plug contact	30...80 μ" Ni / ≥ 30 μ" Au	Storage temperature, min.	-40 °C
Storage temperature, max.	85 °C	Operating temperature, min.	-40 °C
Operating temperature, max.	85 °C		

Packing

Packaging	Tray (manual assembly)	VPE length	315 mm
VPE width	193 mm	VPE height	70 mm

Classifications

ETIM 6.0	EC002637	ETIM 7.0	EC002637
ETIM 8.0	EC002637	ECLASS 9.0	27-44-04-02
ECLASS 9.1	27-44-04-02	ECLASS 10.0	27-44-04-02
ECLASS 11.0	27-46-02-01	ECLASS 12.0	27-46-02-01

Data sheet

RJ45M R1D 3.3N4Y/G TY

Weidmüller Interface GmbH & Co. KG
 Klingenbergstraße 26
 D-32758 Detmold
 Germany

www.weidmueller.com

Technical data

Approvals

Approvals



ROHS	Conform
Certificate No. (UL)	E471884
Certificate No. (cURus)	E471884

Downloads

Approval/Certificate/Document of Conformity	Certificate of Compliance
Engineering Data	CAD data – STEP
Product Change Notification	PCN PCN
User Documentation	MAN IE GUIDE DE MAN IE GUIDE EN
Catalogues	Catalogues in PDF-format

RJ45M R1D 3.3N4Y/G TY

Weidmüller Interface GmbH & Co. KG
 Klingenbergstraße 26
 D-32758 Detmold
 Germany

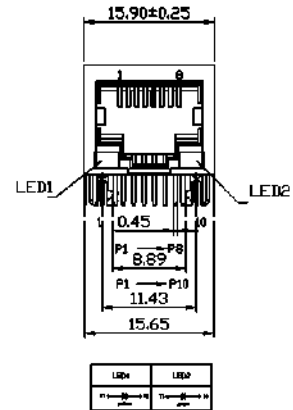
www.weidmueller.com

Drawings

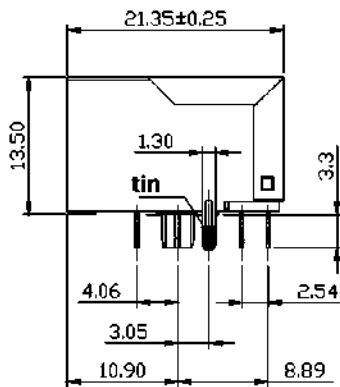
Dimensioned drawing



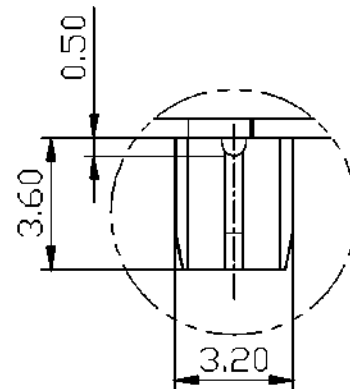
Dimensioned drawing



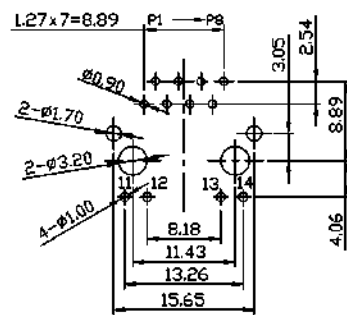
Dimensioned drawing



Dimensioned drawing

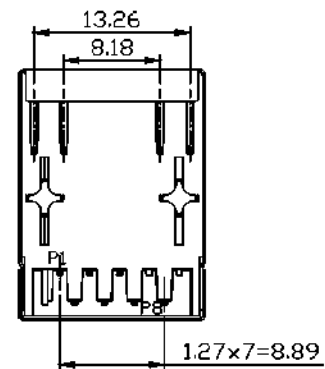


PCB design



PCB Layout

Dimensioned drawing



Data sheet

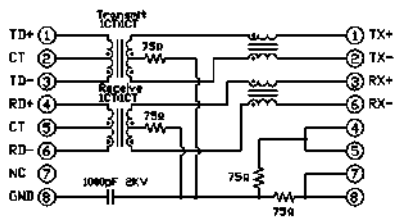
RJ45M R1D 3.3N4Y/G TY

Weidmüller Interface GmbH & Co. KG
 Klingenbergstraße 26
 D-32758 Detmold
 Germany

www.weidmueller.com

Drawings

Wiring diagram



RJ45M R1D 3.3N4Y/G TY

Weidmüller Interface GmbH & Co. KG
 Klingenbergstraße 26
 D-32758 Detmold
 Germany

www.weidmueller.com

Drawings

Code	Description	Value	Notes
RJ45	Category	Category 4	
G1	Shielding	Shielded	
R	Shielding	Shielded	
1	Shielding	Shielded	
U	Shielding	Shielded	
3.2	Shielding	Shielded	
E	Shielding	Shielded	
A	Shielding	Shielded	
GY/GY	Color	Green/White	
TY	Color	Yellow	
RJ45G1 R1U 3.2E4GY/GY TY			
Packaging	TY	Tray in box (limited assembly)	
	NL	Tray in box (limited assembly)	
LED	Y/G	Yellow/Green	
	G/Y	Green/Yellow	
	O/Y	Orange/Yellow	
	H/G	Red/Green	
	-	Without color-coded contacts	
	N	Without LED	
Contact surface thickness	A	1 x 5µm, 2 x 2µm, 3 x 15µm, 4 x 50µm, 5 x 50µm	
BMI tabs (ground papers)	B	6 - with BMI tabs	
	N	Without BMI tabs	
Solder Pin length	3.2	3.2 mm	
	1.8	1.8 mm	
	D	Standard	
Direction, latch style	U	Up-down (60° / 0° / 180°) latch up	
	V	Up-down (60° / 0° / 180°) latch down	
	Y	Category 4, 180° latch up	
Number of Ports	1	1 Port	
	12, 14, ...	Multiple ports side by side, Multiport	
	21, 23, ...	Multiple ports stacked vertically, V-M level	
Assembly on PCB	R	Through Hole Receptacle (THR)	
	B	Surface Mount (SMT)	
	T	Through Hole Receptacle (THR)	
Performance Category	C6	Category 6	
	C6E	Category 6E	
	C6A	Category 6A	
	C6B	Category 6B	
	M6	10/100 Mbit/s	
	d1	10/100/1000 Mbit/s	
	d10	10 Gbit/s	
	U	Unshielded	
	MP	10/100 Mbit/s with POE	
	MP+	10/100 Mbit/s with POE+	

Type codes

Recommended wave soldering profiles

Weidmüller Interface GmbH & Co. KG
 Klängenbergstraße 16
 D-32758 Detmold
 Germany
 Fon: +49 5231 14-0
 Fax: +49 5231 14-292083
 www.weidmueller.com

Single Wave:



Double Wave:



Wave soldering profiles

Wired connection elements should be processed in accordance with the DIN EN 61760-1 standard. We have included two recommendations for practical wave soldering profiles, with which Weidmüller PCB terminals and connectors are qualified.

When choosing a suitable profile for your application, the following factors also need to be considered:

- PCB thickness
- Proportion of Cu in the layers
- Single/double-sided assembly
- Product range
- Heating and cooling rates

The single and double wave profiles each indicate the recommended operating range, including the maximum soldering temperature of 260°C. In practice, the maximum soldering temperature is quite often well below the above maximum profile.

Recommended reflow soldering profile

Weidmüller Interface GmbH & Co. KG
 Klingenbergstraße 16
 D-32758 Detmold
 Germany
 Fon: +49 5231 14-0
 Fax: +49 5231 14-292083
 www.weidmueller.com



Reflow soldering profile

The perfect soldering profile for SMT Surface Mount Technology is one the most exiting question in SMT production. But there are more than one correct answer: The diagram of temperature-on-time is related to processing features of solder paste and to maximum load of components.

We have to consider the following parameters:

- Time for pre heating
- Maximum temperature
- Time above melting point
- Time for cooling
- Maximum heating rate
- Maximum cooling rate

We recommend a typical solder profile with associated process limits. With preheating components and board are prepared smoothly for the solder phase. Heating rate is typically $\leq +3\text{K/s}$. In parallel the solder paste is ‚activated‘. The time above melting point of 217°C the paste gets liquid and components and boards begin to connect. The maximum temperature of 245°C to 254°C should stay between 10 and 40 seconds. In the cooling phase at $\geq -6\text{K/s}$ solder is cured. Board and components cool down while avoiding cold cracks.