



Male connector; with coding/securing elements; 20-pole

Item No.: 246-112



Male connector; with coding/securing elements; 20-pole

Marking

RoHS ✓
Compliant

Business data

| | |
|----------------------|---------------|
| Supplier | WAGO |
| Item no. | 246-112 |
| GTIN / EAN | 4044918803830 |
| Content | 1 |
| Order amount | 15 |
| Customer item number | |

Notes

Item description: Universal connection for all conductor types 10- and 20-pole male and female connectors
Commoning with adjacent jumpers
Combined coding/securing elements prevent mismatching and unintentional disconnection
For racks or panel-to-door wiring

Technical data

Miscellaneous

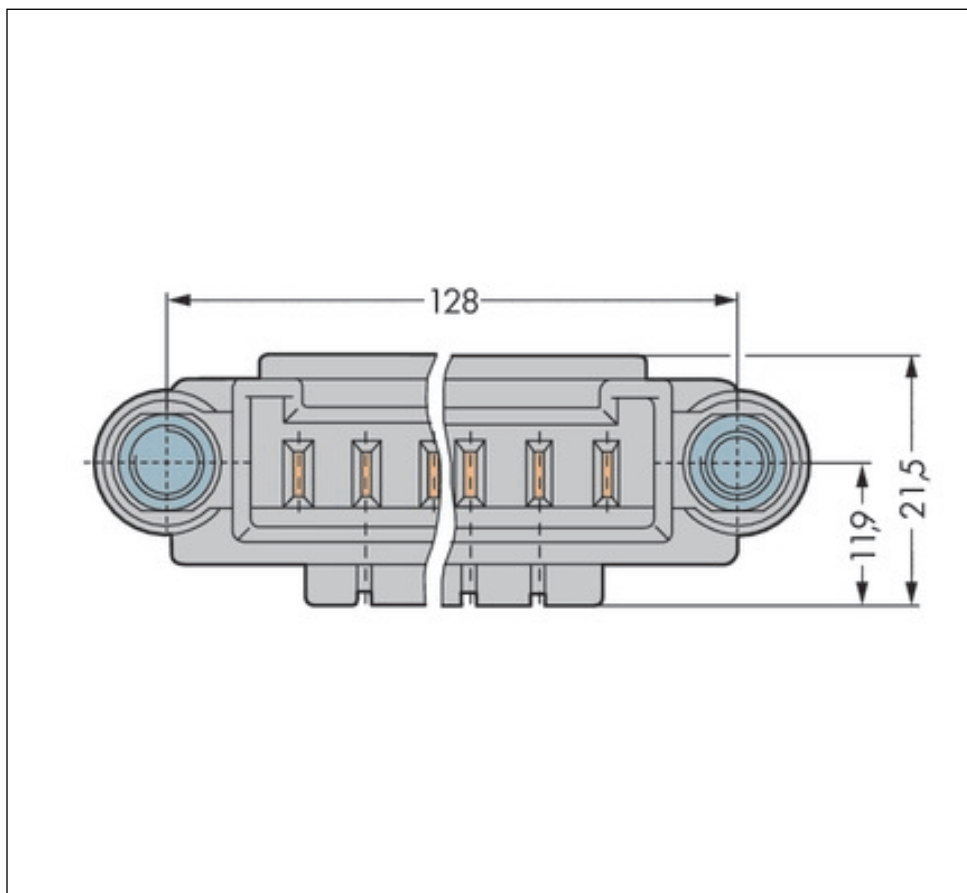
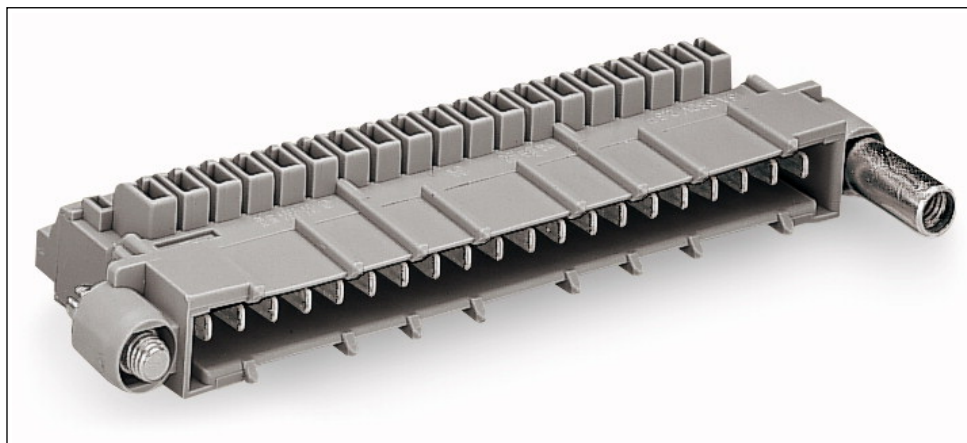
| | |
|--------------------------------------|----------------|
| Packaging type | BOX |
| Ratings per | IEC/EN 60664-1 |
| Rated voltage (III / 3) [V] | 500 [V] |
| Rated impulse voltage (III / 3) [kV] | 6 [kV] |

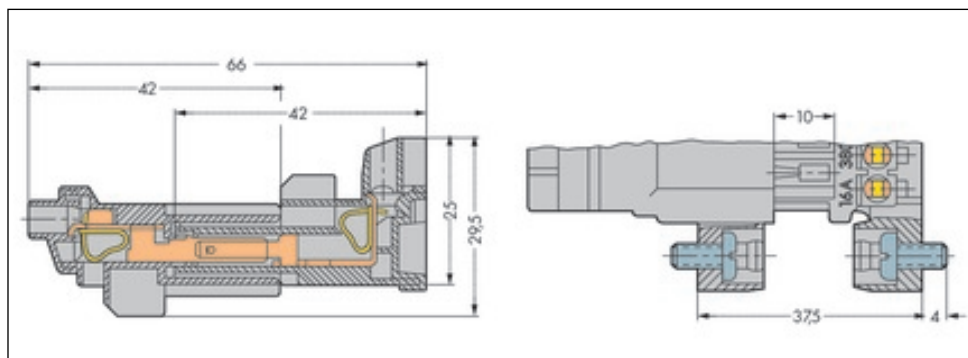
| Technical data | |
|---|---|
| Rated voltage (III/2) [V] | 630 [V] |
| Rated impulse voltage (III / 2) [kV] | 6 [kV] |
| Rated voltage (II / 2) [V] | 1000 [V] |
| Rated impulse voltage (II / 2) [kV] | 6 [kV] |
| Rated current [A] | 16 [A] |
| Legend (ratings) | (III / 2) Overvoltage category III / Pollution degree 2 |
| Approvals per | UL 1059 |
| Rated voltage UL (Use Group C) [V] | 300 [V] |
| Rated current UL (Use Group C) [A] | 15 [A] |
| Rated voltage UL (Use Group D) [V] | 600 [V] |
| Rated current UL (Use Group D) [A] | 15 [A] |
| No. of poles | 20 |
| Number of connection types | 1 |
| Number of levels | 1 |
| Connection technology | CAGE CLAMP® |
| Actuation type | Operating tool |
| Solid conductor | 0.08 ... 2.5 mm ² / 28 ... 14 AWG |
| Fine-stranded conductor | 0.08 ... 2.5 mm ² / 28 ... 14 AWG |
| Fine-stranded conductor with ferrule with plastic collar | 0.25 ... 1.5 mm ² |
| Fine-stranded conductor with ferrule without plastic collar | 0.25 ... 2.5 mm ² / ... |
| Strip length | 8 ... 10 mm / 0.31 ... 0.39 Inch |
| Width | 128 mm / 5.039 Inch |
| Height | 0.85 mm / 21.5 Inch |
| Depth | 42 mm / 1.654 Inch |
| Contact type (pluggable connector) | Male connector/plug |
| Connector connection type | for conductors |
| Color | gray |
| Material group | I |
| Insulating material | Polyamide 66 (PA 66) |
| Flammability class per UL94 | V0 |
| Clamping spring material | Chrome nickel spring steel (CrNi) |
| Contact material | Copper alloy |
| Contact plating | tin-plated |
| Fire load [MJ] | 0.889 [MJ] |
| Weight [g] | 75.07 [g] |

Technical data

| | |
|--------------------------------|--|
| <i>Limit temperature range</i> | <i>-60 ... 65 °C</i> |
| <i>Contact type</i> | <i>Male connector/plug; for conductors</i> |
| <i>Product type</i> | <i>Connector</i> |

Images & drawings





Address

WAGO Kontakttechnik GmbH & Co. KG

Hansastr. 27

32423 Minden

Telefon: 0571/887-0

Fax: 0571/887-169

<http://www.wago.com>

© WAGO Kontakttechnik GmbH & Co. KG

Technische Änderungen und Irrtümer vorbehalten.