

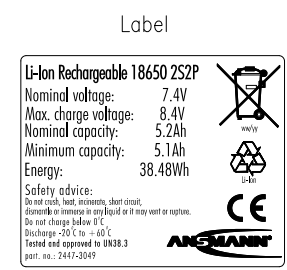
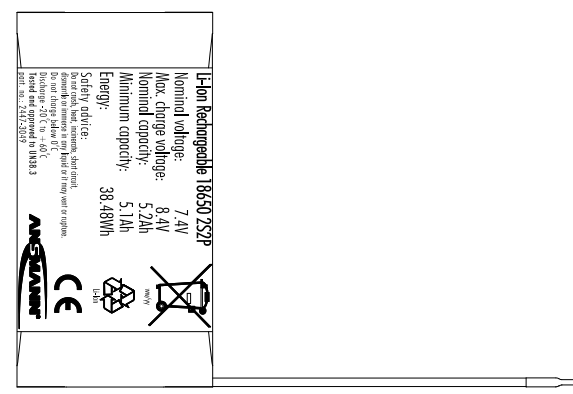
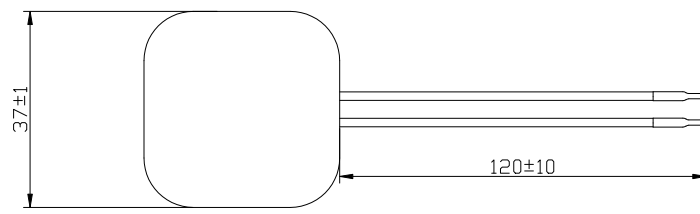
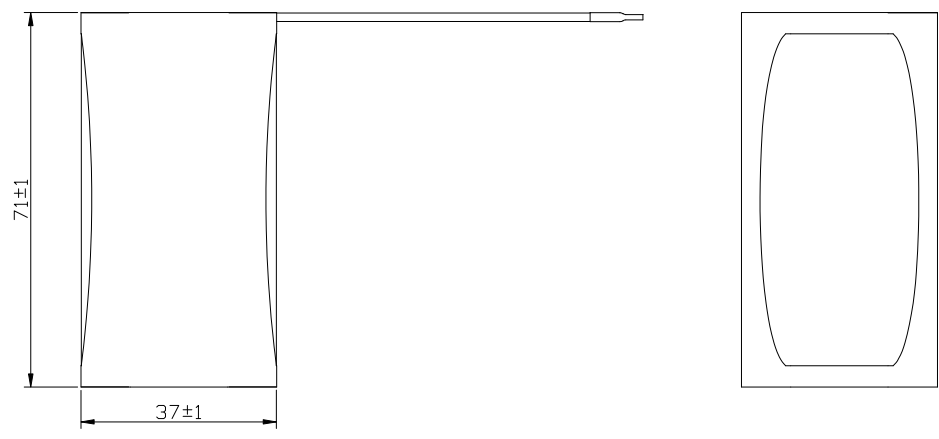
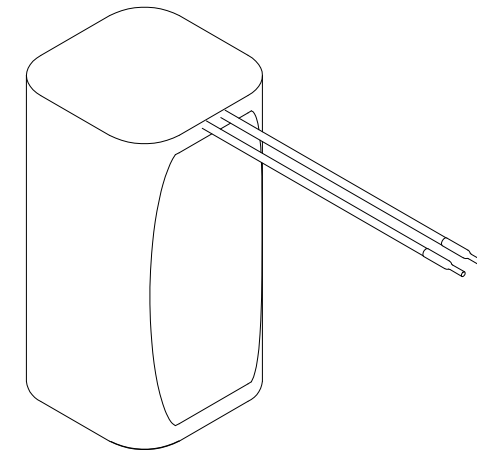
The supplier acknowledges that, with the acceptance of the drawing, he is in a position to manufacture the illustrated part in accordance with the drawing in reproducible form and series production. Through the selected manufacturing processes no impairments will arise in the material and structure which could subsequently lead to an impairment of the component. These agreements over and above the actual specifications from this sheet must be written and must be signed by the purchaser.

Technische Daten/
technical data : Akkupack/
battery pack
Chemie/
chemistry : Li-Ion
Zellenzahl/
no. of cells : 4 Zellen/ cells 18650 2S2P
Zellentyp/
cell type : Samsung SDI 26H
Kapazität/
capacity : nom. 5200mAh discharge at 0.2C
min. 5100mAh discharge at 0.2C
ta:20°C; EV(Discharge End Voltage): 2.75V per cell

Innenwiderstand/
impedance : < 80mOhm (battery and safetyboard)
Nominalspannung/
nominal voltage : 7.4V
Standard Ladespannung/
standard charge voltage : 8.4V±1%
Standard Entladespannung/
standard discharge voltage : 5.5V
Nominaler Ladestrom/
nominal charge current : 0.5C
Maximaler Ladestrom/
maximum charge current : 1C
Ladeendstrom/
charge end current : 0.01C recommended
Maximaler Entladestrom/
maximum discharge current : 2C
Anwendungstemperaturbereich/
ambient temperature range : 0°C...+45°C charge
-20°C...+60°C discharge
-20°C...+30°C storage max. 1 year
-20°C...+45°C storage max. 3months
Selbstentladung/
self discharge : ≤ 5% / month at20°C
≤ 10% / month at30°C
≤ 20% / month at40°C
Standards/ : UN 3480, Subsection 38.3
All cells and battery packs type tested according
to UN manual of test and criteria subsection 38.3

Technische Daten/
technical data : Sicherheitsschaltung/
safety board

Überladeschutzspannung/
over charge voltage detection : 4.3V±25mV per cell
Wiedereinschaltspannung/
over charge release voltage : 4.1V±50mV per cell
Entladeabschaltspannung/
over discharge detection voltage : 2.4V±50mV per cell
Wiedereinschaltspannung/
over discharge release voltage : 2.8V±250mV per cell
Nominaler Lade/Entladestrom/
nominal operating current : 5A
Entlade Abschaltstrom/
discharge cut off current : 13A± 3A
Kurzschlusschutz/
short circuit protection : gegen äußeren Kurzschluss/
against external short circuit
Temperaturerhalter/
temperature switch : ---
MOSFET : in Masse
in Gnd
Rückstellkriterium/
release condition : Last trennen, Aktiv nach Anladen/
cut load, release after charging up
Nettogewicht/
net weight : 184g
Leiterplattenmaterial/
pcb material : FR4
Standards : CE



Verwendungsbereich/Application range für Anfrage/for inquiry IS-2013-00190		Zul. Abweichung/ Allowable deviation	Oberfläche/ Surface	Maßstab/Scale (DIN A2): 1:1	Gewicht/Weight
		Allgemeintoleranz DIN ISO 2768-m		Werkstoff/Work material, Modell-Nr.	
	2013	Datum/Date	Name	Zeichnungsname/Drawing name	
	Erstellt/ Drawn by	18.08.	JE	Li-Ion Battery 7.4V 5200mAh with safetyboard	
				Zeichnungsnummer/Drawing number Artikelnummer/Part number	Blatt/ Sheet
VO	label added in drawing	25.06.14	EGall	2447-3049	1
Version	Änderung/Change	Datum/Date	Name	Ursprung/Origin Proj. IS-2013-00190	Ersatz für/Replaced by
					Ersatz durch/Replacement through:

This drawing may not be copied, reproduced or made available to third parties in any way whatsoever without our prior written approval.