

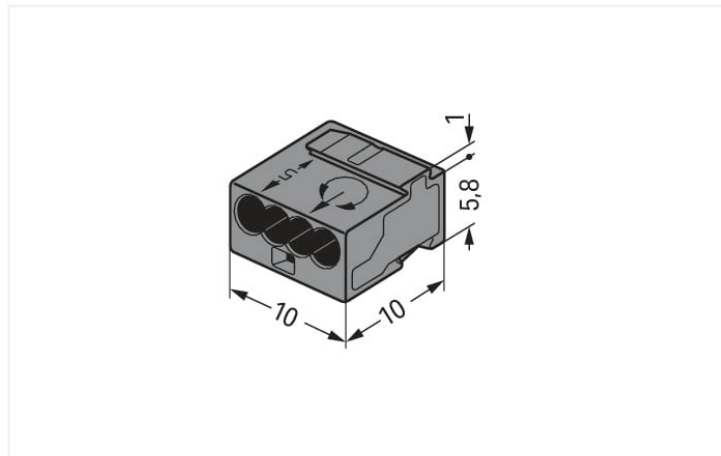
## Data Sheet | Item Number: 243-204

PUSH WIRE® splicing connector; for solid conductors; max. 0.8 mm Ø; 4-conductor; dark gray housing; light gray cover; Surrounding air temperature: max 60°C; 0,80 mm²; dark gray

<https://www.wago.com/243-204>



Color: ■ dark gray



Dimensions in mm

### Notes

Safety management note

**NOTICE: Observe installation and safety instructions!**

- **Only to be used by electricians!**
- Do not work under voltage/load!
- Use only for proper use!
- Observe national regulations/standards/guidelines!
- Observe technical specifications for the products!
- Observe the number of permissible potentials!
- Do not use damaged/dirty components!
- Observe conductor types, cross-sections and strip lengths!
- Insert conductor until it hits the product's backstop!
- Use original accessories!

**To be sold only with installation instructions!**

### Electrical data

Ratings per	EN 60664		
Overvoltage category	III	III	II
Pollution degree	3	2	2
Nominal voltage	-	-	100 V
Rated surge voltage	-	-	1.5 kV
Rated current	-	-	6 A

### Connection data

Clamping units	4
Total number of potentials	1
Number of connection types	1
Number of levels	1

#### Connection 1

Connection technology	PUSH WIRE®
Actuation type	Push-in
Connectable conductor materials	Copper
Solid conductor	22 ... 20 AWG
Conductor diameter	0.6 ... 0.8 mm / 22 ... 20 AWG
Conductor diameter (note)	When using conductors of the same diameter, 0.5 mm (24 AWG) or 1 mm (18 AWG) diameters are also possible.
Strip length	5 ... 6 mm / 0.2 ... 0.24 inches
Wiring direction	Side-entry wiring

### Physical data

Width	10 mm / 0.394 inches
Height	6.8 mm / 0.268 inches
Depth	10 mm / 0.394 inches

### Material data

Note (material data)	<a href="#">Information on material specifications can be found here</a>
Color	dark gray
Cover color	light gray
Fire load	0.011 MJ
Weight	0.8 g

### Environmental requirements

Ambient temperature (operation)	+60 °C
Continuous operating temperature	105 °C

### Commercial data

eCl@ss 10.0	27-14-11-04
eCl@ss 9.0	27-14-11-04
ETIM 9.0	EC000446
ETIM 8.0	EC000446
PU (SPU)	1000 (100) pcs
Packaging type	Box
Country of origin	DE
GTIN	4044918440585
Customs tariff number	85369010000

### Environmental Product Compliance

RoHS Compliance Status	Compliant, No Exemption
------------------------	-------------------------

### Approvals / Certificates

#### General approvals



Approval	Standard	Certificate Name
CCA DEKRA Certification B.V.	EN 60998	NTR NL 7812
CSA DEKRA Certification B.V.	C22.2	70048857
KEMA/KEUR DEKRA Certification B.V.	EN 60998	71-112493
UR Underwriters Laboratories Inc.	UL 1059	E45172

#### Declarations of conformity and manufacturer's declarations

Approval	Standard	Certificate Name
EU-Declaration of Conformity WAGO GmbH & Co. KG	-	-
UK-Declaration of Conformity WAGO GmbH & Co. KG	-	-

Approvals for marine applications



Approval	Standard	Certificate Name
ABS American Bureau of Ship- ping	-	18-HG1755093-PDA
LR Lloyds Register	EN 60998	LR22207029TA

Downloads

Environmental Product Compliance

Compliance Search	
Environmental Product Compliance 243-204	<a href="#">↓</a>

Documentation

Bid Text			
243-204	19.02.2019	xml 3.27 KB	<a href="#">↓</a>
243-204	17.05.2017	doc 25.00 KB	<a href="#">↓</a>
ausschreiben.de 243-204			<a href="#">↓</a>

CAD/CAE-Data

CAD data
2D/3D Models 243-204

CAE data
EPLAN Data Portal 243-204
WSCAD Universe 243-204
ZUKEN Portal 243-204

## 1 Compatible Products

### 1.1 Optional Accessories

#### 1.1.1 Mounting adapter

##### 1.1.1.1 Mounting accessories



**Item No.: 243-112**

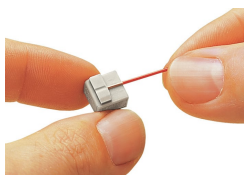
Mounting carrier; for 4 connectors; 243 Series; for DIN-35 rail mounting/screw mounting; orange

**Item No.: 243-113**

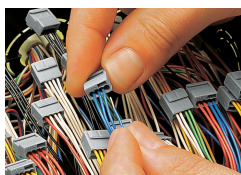
Mounting carrier; for 6 connectors; 243 Series; for DIN-35 rail mounting/screw mounting; orange

## Installation Notes

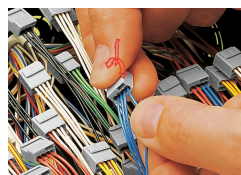
### Conductor termination



Strip solid conductors to 5 ... 6 mm (0.19 ... 0.23 inch).



Termination: Insert the stripped solid conductor until it hits the backstop.



Removal: Hold conductor to be removed and twist alternately left and right while pulling the connector.

## Installation



**Connector strips:**

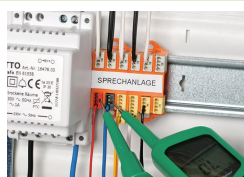
Assembling modular connectors into connector strips.

## Commoning



Commoned connector strips

## Testing



Testing via test port opposite to conductor entry.



**The 243 Series can be used in both communication and alarm systems according to the VdS (German Association of Property Insurers) guidelines.**

No general approval is given to PUSH WIRE® connectors by the VdS association. The connectors must be tested together with the different parts of the system. The requirements for connectors are specified in the VdS guidelines for junction boxes (VdS 2116) in section 8.7: "The junction box connectors must be designed to guarantee a reliable and stable connection."

The verification of the fulfillment of these requirements is documented in the VDE test report No. 2574-1440-4031 for the insulated 243 Series PUSH WIRE® Connectors.